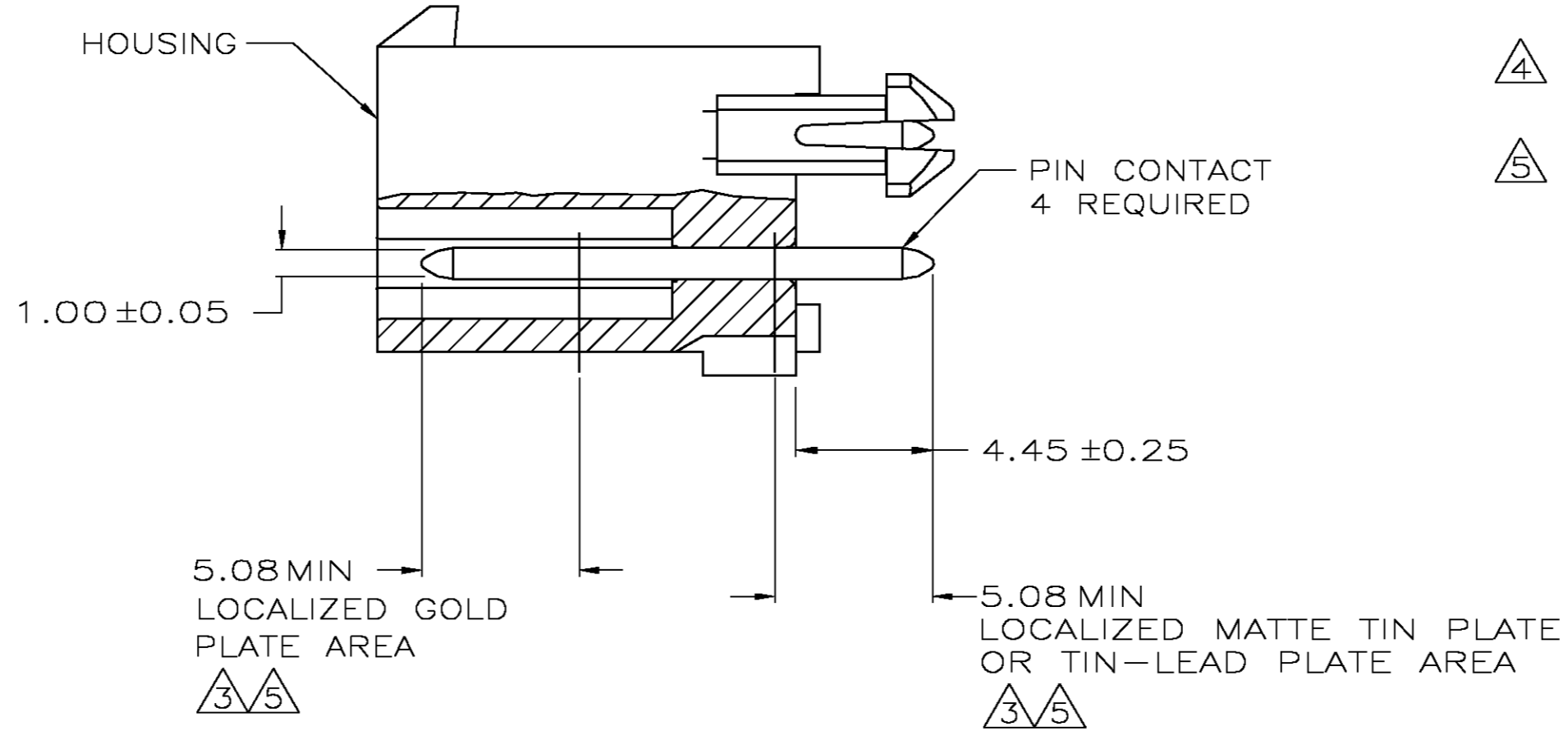
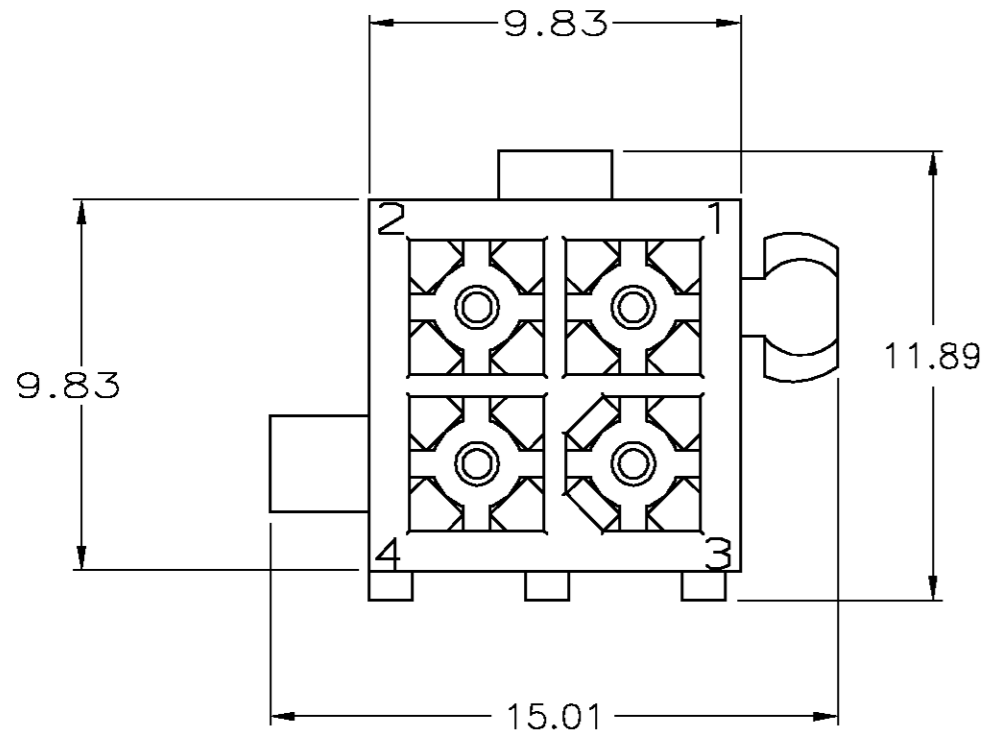
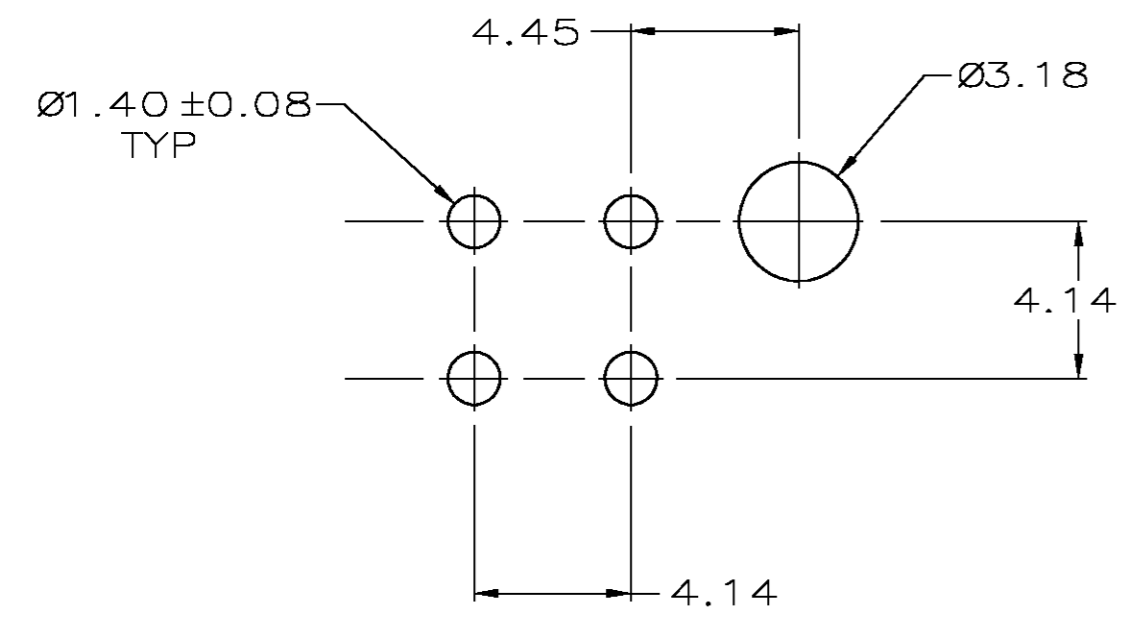


THIS DRAWING IS UNPUBLISHED. RELEASED FOR PUBLICATION  
 © COPYRIGHT BY TYCO ELECTRONICS CORPORATION. ALL RIGHTS RESERVED.

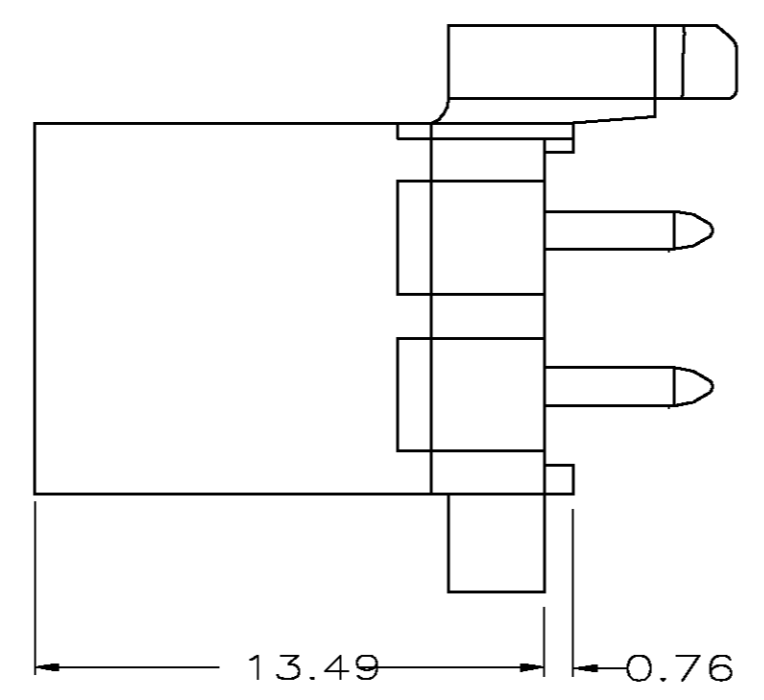
LOC		DIST		REVISIONS				
P	LTR	DESCRIPTION			DATE	DWN	APVD	
CM	0	L		REVISED PER 0G3B-0211-05	6/8/05	SS	RJ	



- PINS TO COMPLY WITH AMP SOLDERABILITY SPEC. 109-11-3.
- 0.00381 MIN MATTE TIN LEAD PLATE OVER 0.00127 MIN NICKEL.
- 0.00076 MIN GOLD PLATE IN THE LOCALIZED PLATE AREA, 0.00381 MATTE TIN LEAD IN THE LOCALIZED PLATE AREA, BOTH OVER 0.00127 MIN NICKEL.
- 0.00381 MIN MATTE TIN PLATE OVER 0.00127 MIN NICKEL.
- 0.00076 MIN GOLD PLATE IN THE LOCALIZED PLATE AREA, 0.00381 MATTE TIN IN THE LOCALIZED PLATE AREA, BOTH OVER 0.00127 MIN NICKEL.



RECOMMENDED LAYOUT FOR 1.57 THICK BOARD  
 TOLERANCES NON-ACCUMULATIVE



MATERIAL	FINISH	MATERIAL	COLOR	PART NO.
BRASS, GOLD	5	NYLON, UL94V-0	WHITE	1-770174-1
BRASS, TIN	4	NYLON, UL94V-0	WHITE	1-770174-0
BRASS, GOLD	3	NYLON, UL94V-0	WHITE	770174-2
BRASS, TIN-LEAD	2	NYLON, UL94V-0	WHITE	770174-1

THIS DRAWING IS A CONTROLLED DOCUMENT.		DWN S CARPENTER	OBJUN05	Tyco Electronics Corporation Harrisburg, Pa 17105-3608	
DIMENSIONS: mm		CHK R JONES	28/JUL2003	NAME HEADER ASSEMBLY, 4 CKT, MINI UNIVERSAL MATE-N-LOK	
TOLERANCES UNLESS OTHERWISE SPECIFIED:		APVD R JONES	28/JUL2003	SIZE A2	
0 PLC ± -		PRODUCT SPEC		CAGE CODE 00779	
1 PLC ± -		APPLICATION SPEC		DRAWING NO C=770174	
2 PLC ± 0.13				RESTRICTED TO	
3 PLC ± -				SCALE 5:1	
4 PLC ± -				SHEET 1 OF 1	
ANGLES ± -				REV L	
FINISH		WEIGHT		CUSTOMER DRAWING	