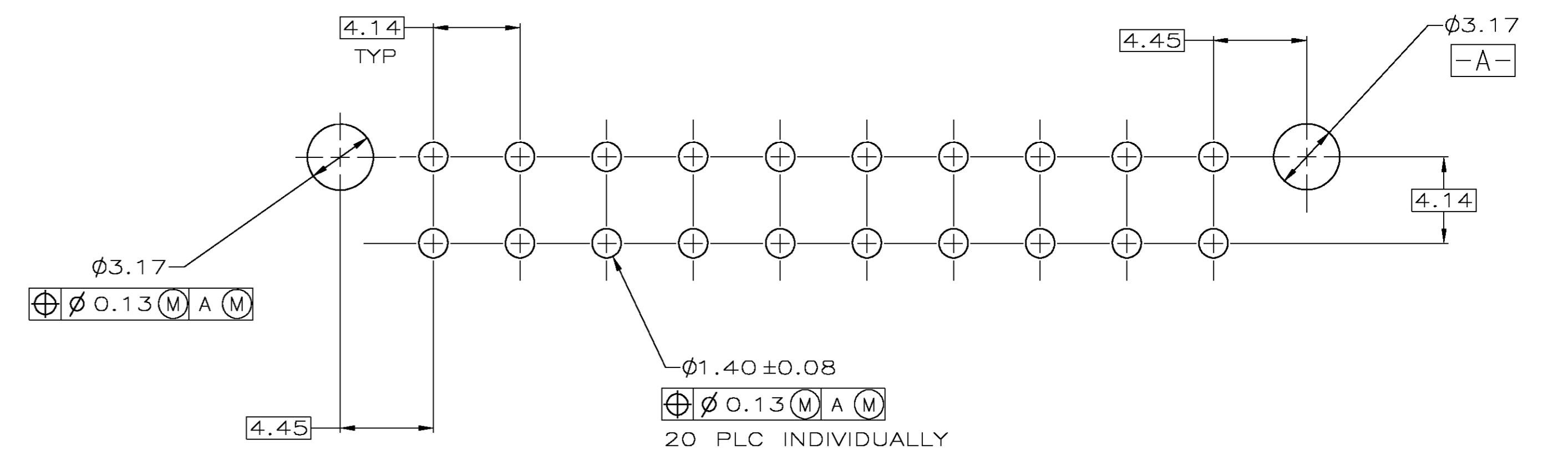
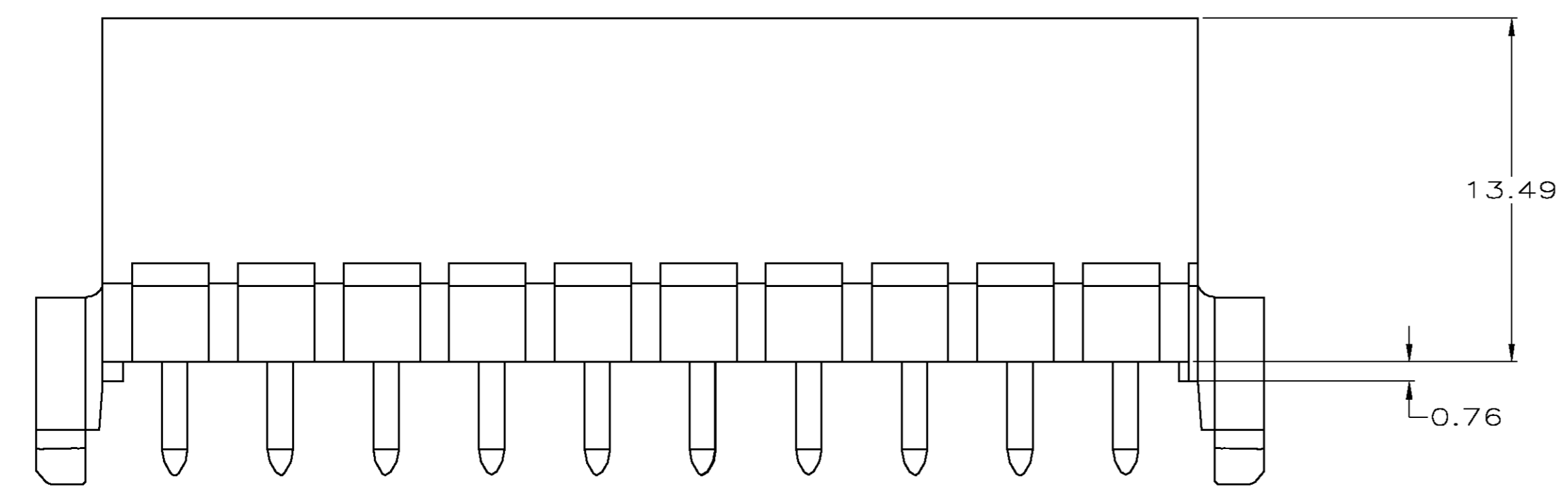
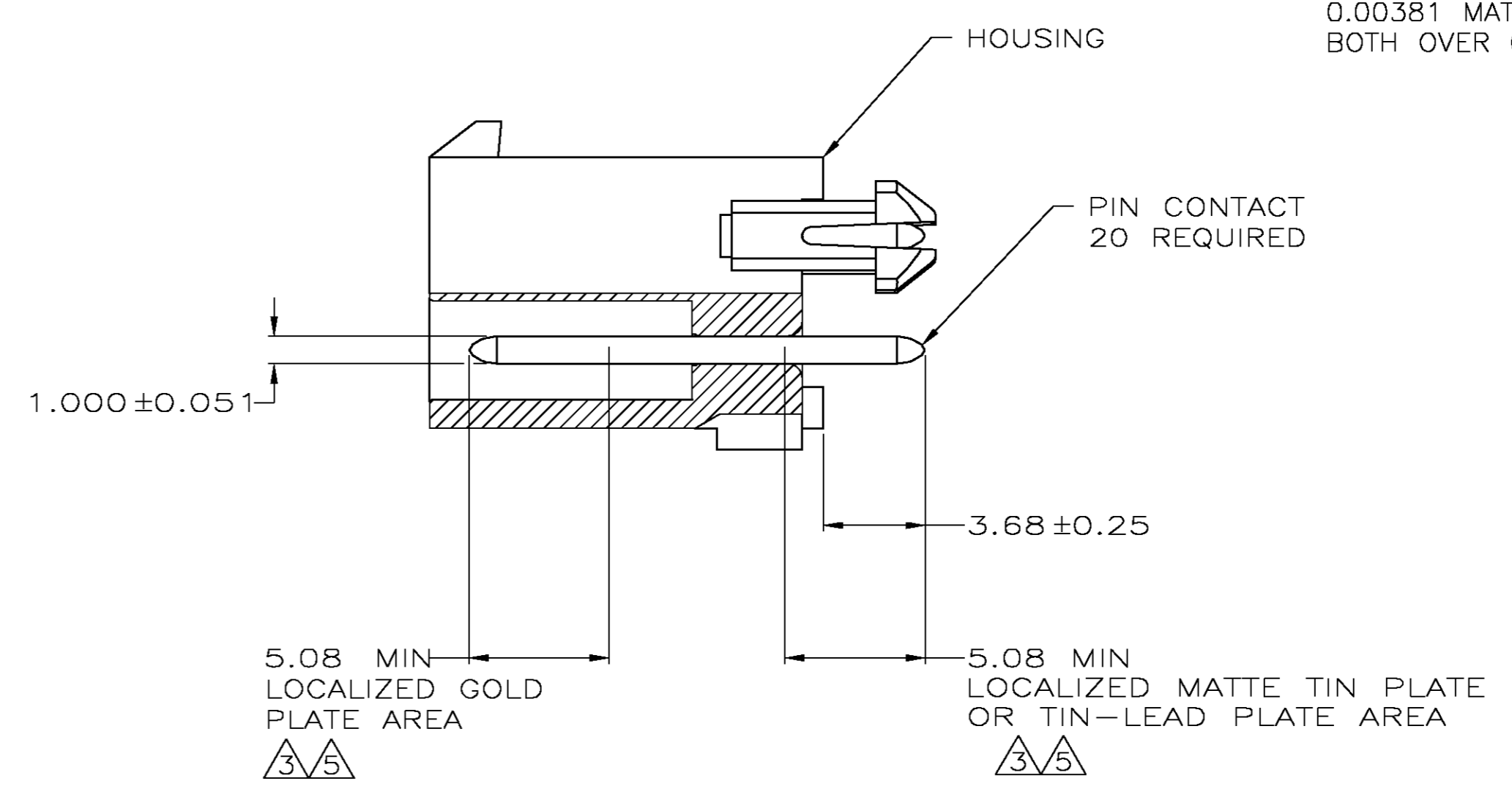
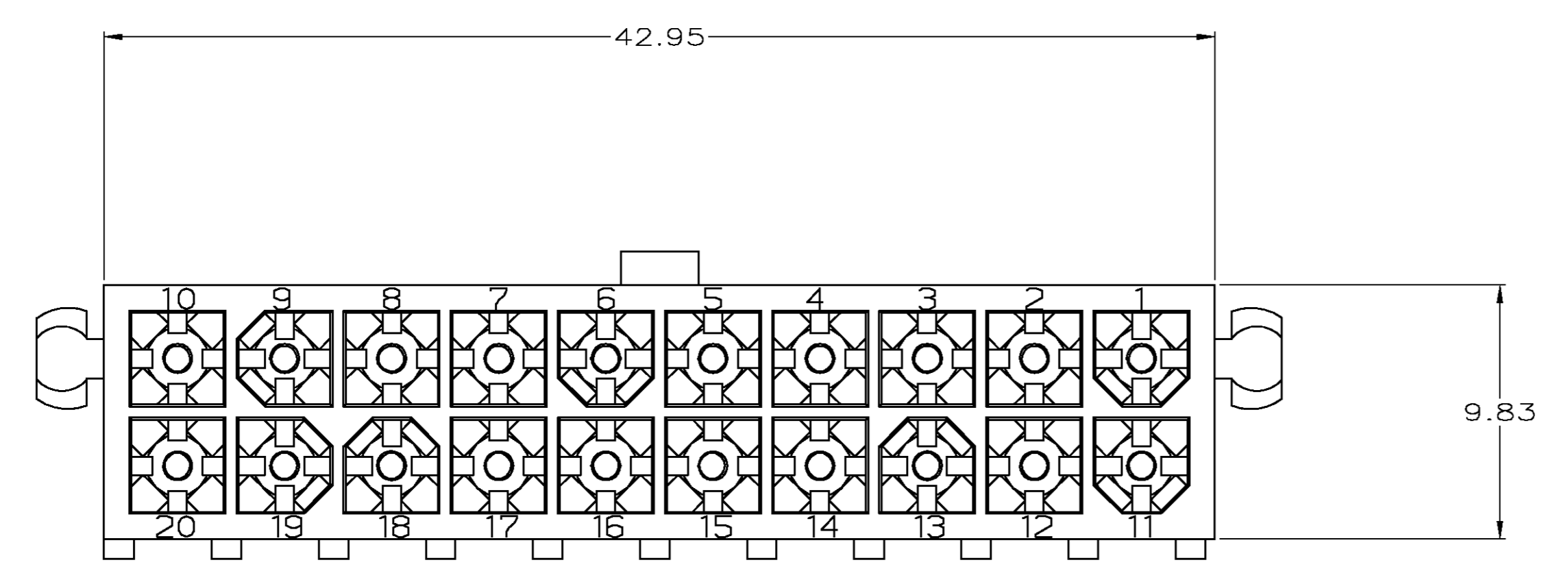
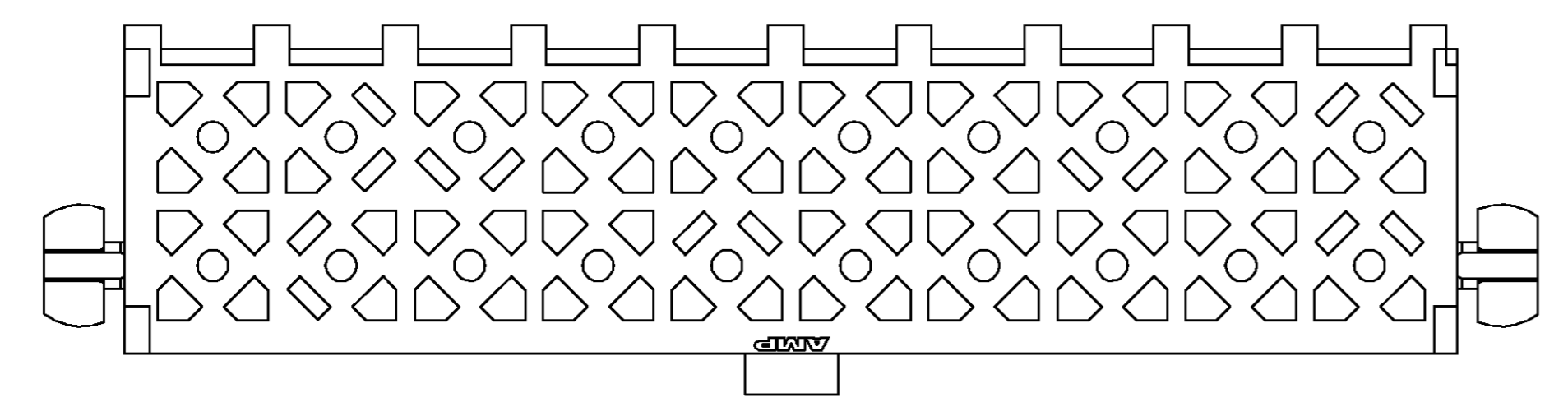


LOC		DIST		REVISIONS			
F	LTR	DESCRIPTION	DATE	DRN	APPD	REV	REV
D		REVISED PER 0638-0211-05	6/7/05	SS	RJ		

- PINS TO COMPLY WITH AMP SOLDERABILITY SPEC. 108-11-3.
- 0.00381 MIN MATTE TIN LEAD OVER 0.00127 MIN NICKEL.
- 0.00076 MIN GOLD PLATE IN THE LOCALIZED PLATE AREA, 0.00381 MATTE TIN LEAD IN THE LOCALIZED PLATE AREA, BOTH OVER 0.00127 MIN NICKEL.
- 0.00381 MIN MATTE TIN OVER 0.00127 MIN NICKEL.
- 0.00076 MIN GOLD PLATE IN THE LOCALIZED PLATE AREA, 0.00381 MATTE TIN IN THE LOCALIZED PLATE AREA, BOTH OVER 0.00127 MIN NICKEL.



RECOMMENDED MOUNTING HOLE PATTERN FOR 1.57 THICK P.C. BOARD



PIN CONTACT MATERIAL AND FINISH	HOUSING MATERIAL AND COLOR	PART NUMBER
BRASS, GOLD $\Delta$	NYLON, 94V-0, WHITE	1-794070-1
BRASS, TIN $\Delta$	NYLON, 94V-0, WHITE	1-794070-0
BRASS, GOLD $\Delta$	NYLON, 94V-0, WHITE	794070-2
BRASS, TIN LEAD $\Delta$	NYLON, 94V-0, WHITE	794070-1

THIS DRAWING IS A CONTROLLED DOCUMENT.

DRN: K. WHITAKER 6-12-95	Tyco Electronics Corporation Harrisburg, Pa 17105-3608
CHK: R. SWING 6-12-95	
APPR: R. ORSTAD 6-13-95	NAME: R. ORSTAD
DIMENSIONS: mm TOLERANCES UNLESS OTHERWISE SPECIFIED: 0 PLC ± - 1 PLC ± - 2 PLC ± 0.13 3 PLC ± - 4 PLC ± - ANGLES ± - FINISH SEE TABLE	
MATERIAL: SEE TABLE	PRODUCT SPEC: - APPLICATION SPEC: - SIZE: A1 CAGE CODE: 00779 DRAWING NO: 794070 WEIGHT: - CUSTOMER DRAWING
SCALE: 5:1 SHEET 1 OF 1 REV D	