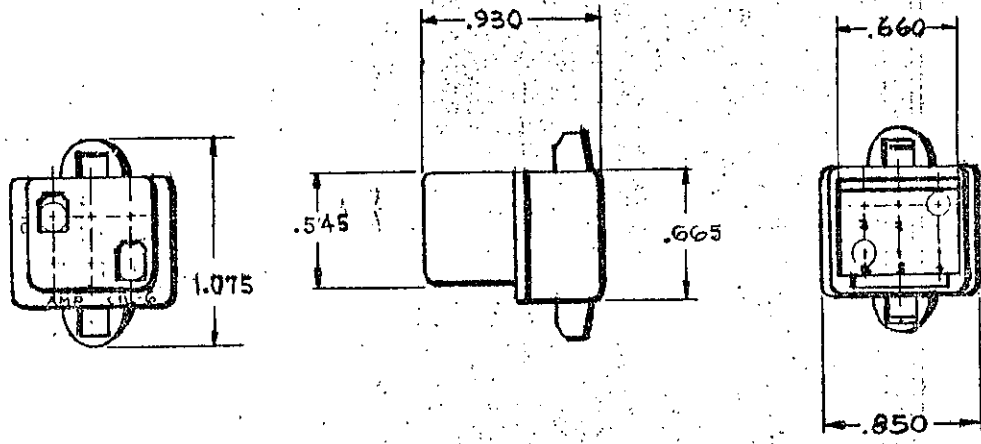


NUMBER SHEET 1 OF 2  
480276

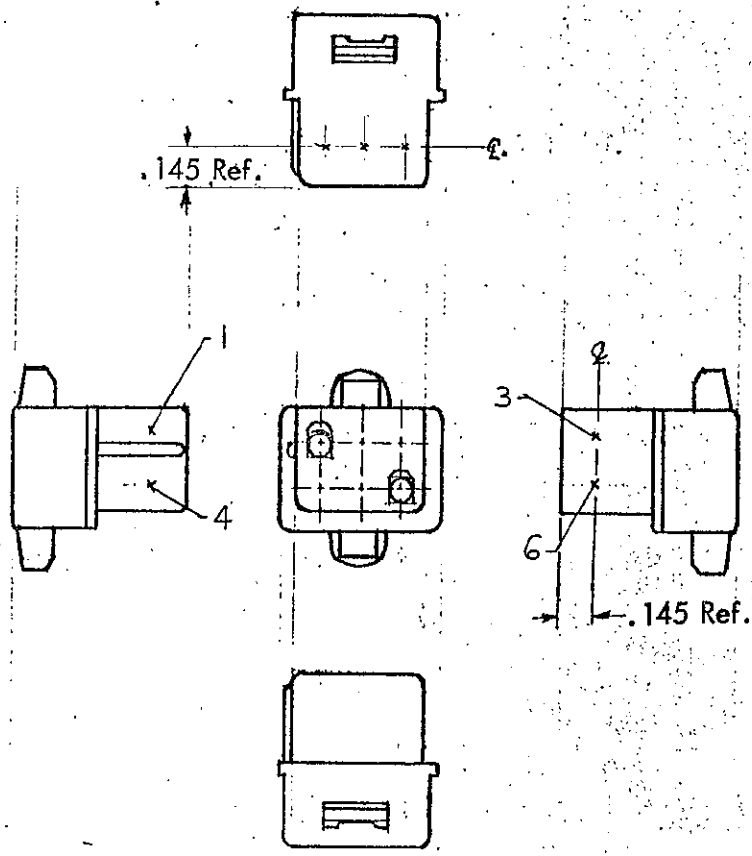


NOTE-  
1- TO BE USED WITH APPROPRIATE  
COMMERCIAL MATE-N-LOK™ PINS.  
2- TO BE USED WITH PLUG HOUSING 480273.

HOUSING N <sup>o</sup>	COLOR
1-480276-0	NATURAL

DIMENSIONS IN INCHES. DO NOT SCALE PRINT.

				© 1964 BY AMP INCORPORATED. ALL RIGHTS RESERVED. AMP PRODUCTS COVERED BY PATENTS AND/OR PATENTS PENDING.		CUSTOMER COPY REFERENCE ONLY	
				MATERIAL AND FINISH		AMP INCORPORATED HARRISBURG, PENNA.	
				NYLON		CLASS .086 PIN Housing	
U OBS 2--0 SHEET				WIRE RANGE — INSULATION		TYPE PANEL MOUNT	
II PER EC0730-0129.96				SINGLE .130 MAX DOUBLE .115 MAX			
LTR		REVISION RECORD	DR	CHK	DATE	LOG	NO
C.R. STOYER 11/3/64		DR	R. Williams		11-11-64	CM	A
APP		Y. J. G. 11/11/64		TOLERANCE EXCEPT AS NOTED ± .015		SCALE 1:1	
53		NAME		6 CIRCUIT MATE-N-LOK™ CAP			
						SHEET 1 OF 2 480276 U	



- Note -

1. Characters .160 high.
2. Characters to be read correctly from wire end only.
3. Violet, black, brown and blue colored blocks stamped with white characters, all other colored blocks stamped with black characters.
4. Custom identification available.
5. For dimensions refer to Sheet 1

Part No.	Color
2-480276-0	NATURAL

**OBSOLETE**

©1964 BY AMP INCORPORATED, ALL RIGHTS RESERVED. AMP PRODUCTS COVERED BY PATENTS AND/OR PATENTS PENDING.

**CUSTOMER COPY  
REFERENCE ONLY**

MATERIAL AND FINISH

**AMP** AMP INCORPORATED  
HARRISBURG, PENNA.

WIRE — RANGE — INSULATION TYPE  
*CM 1 C*

TOLERANCE EXCEPT AS NOTED ± .015 ± .1" 1:1  
NAME 6 CIRCUIT MATE-N-LOK™ PANEL MOUNT CAP HOUSING (PIN)

DIMENSIONS IN INCHES. DO NOT SCALE PRINT.  
PRINT DIST 53

LTR	REVISION RECORD	DR	CHK	DATE
A	ADDED 3-480276-0 LK 1/29/64			6/26/65
	CR STOTER 12/29/64			
	DE W. Panga 1/5/65			
	CHK R. Anderson 1-5-65			
	APP 9X 1/8/65			