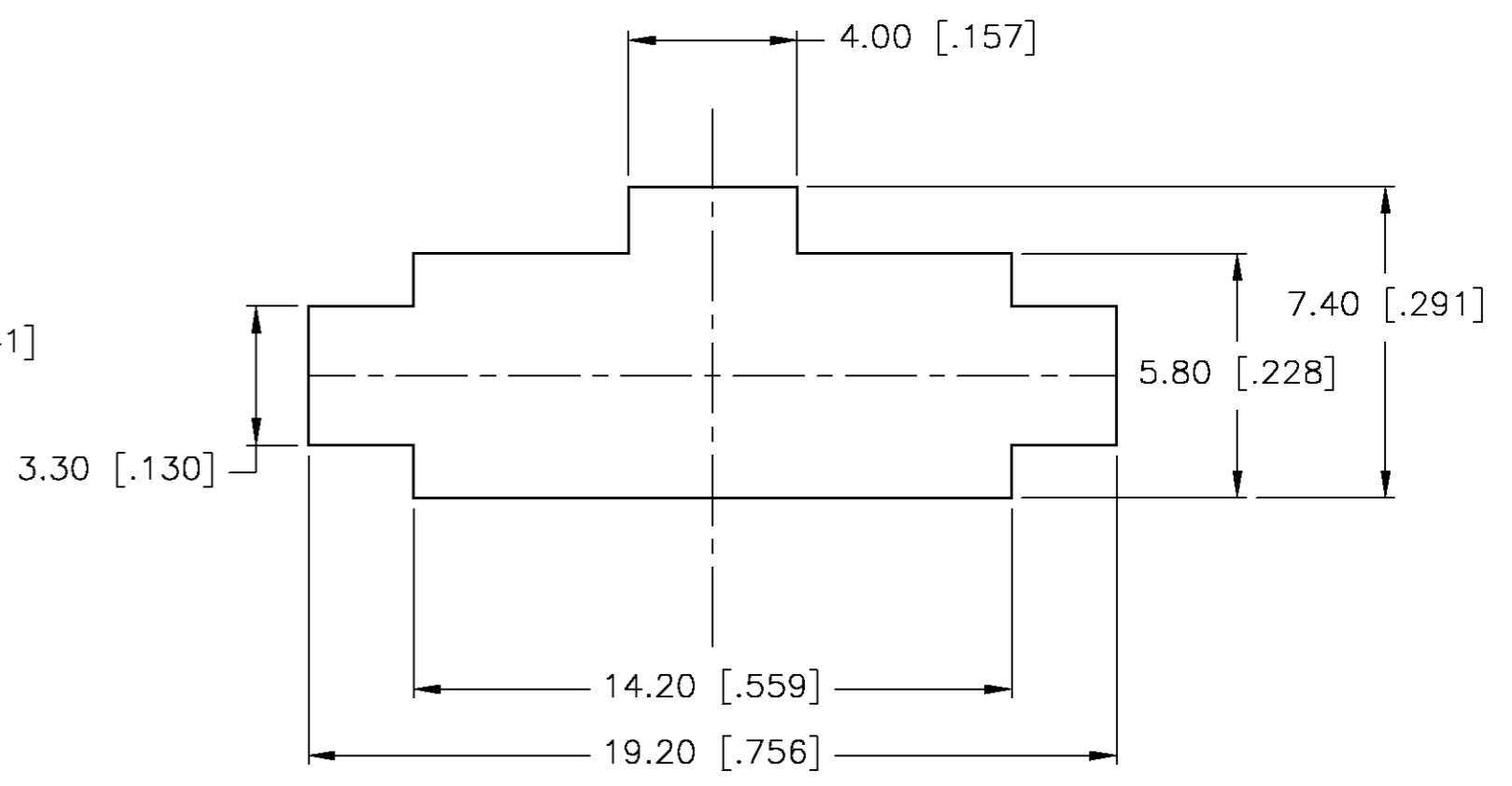
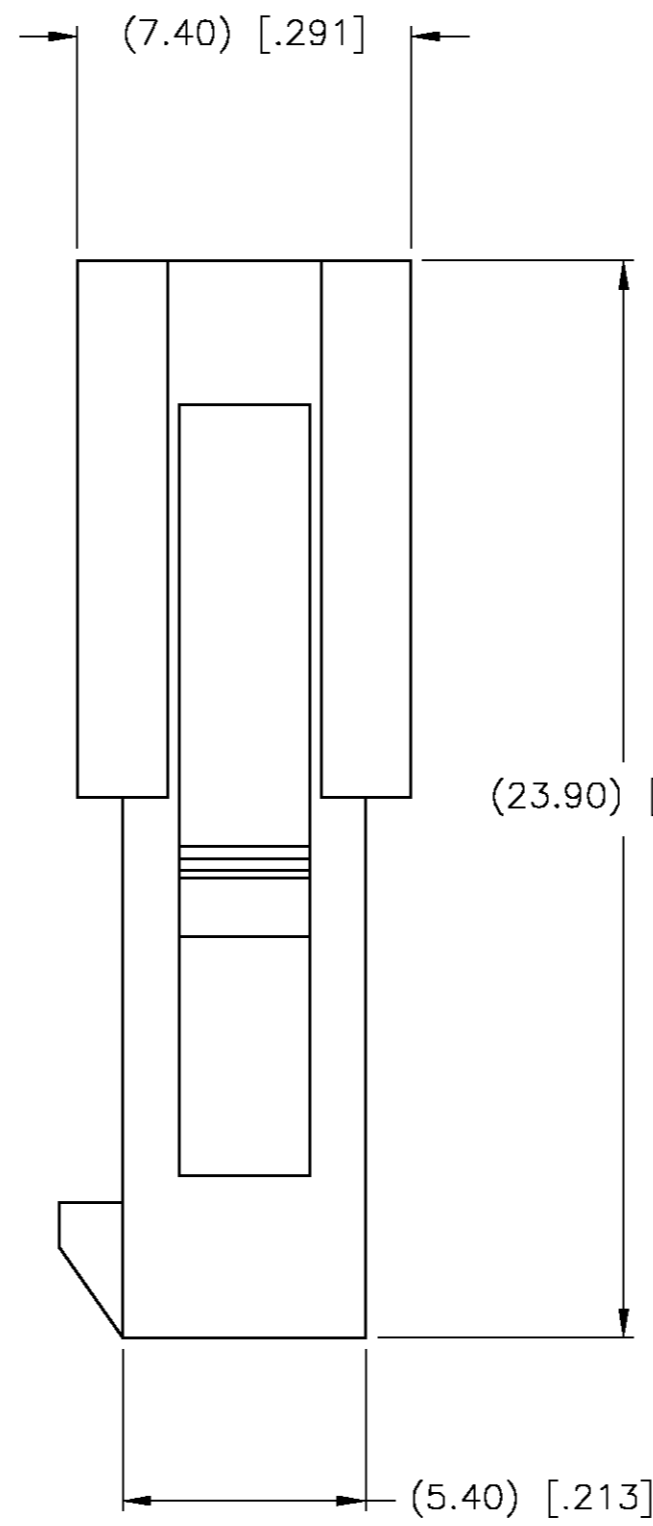
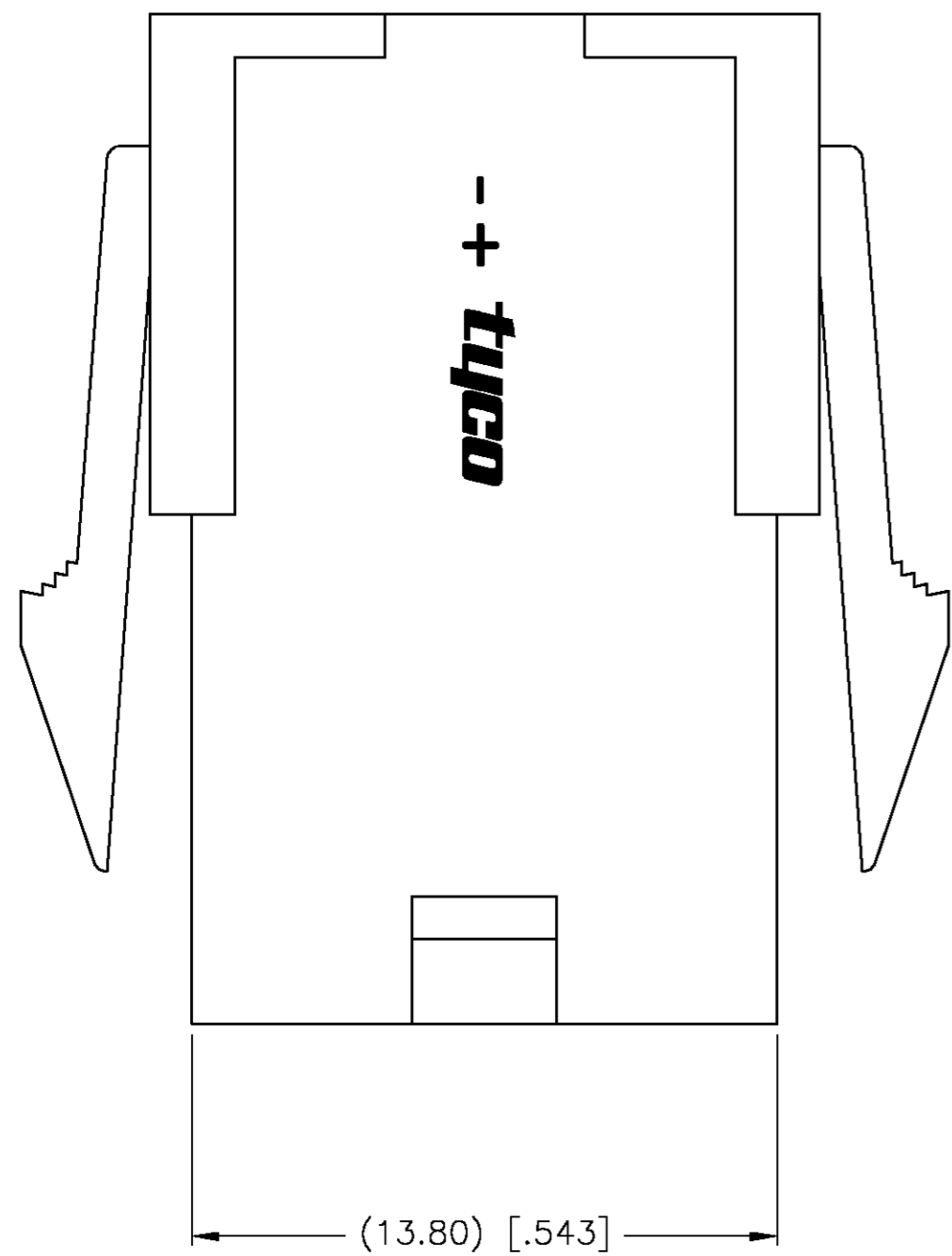
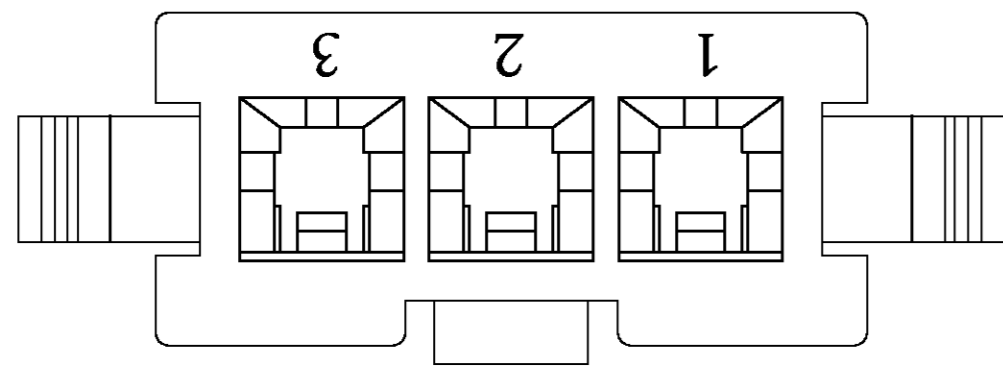


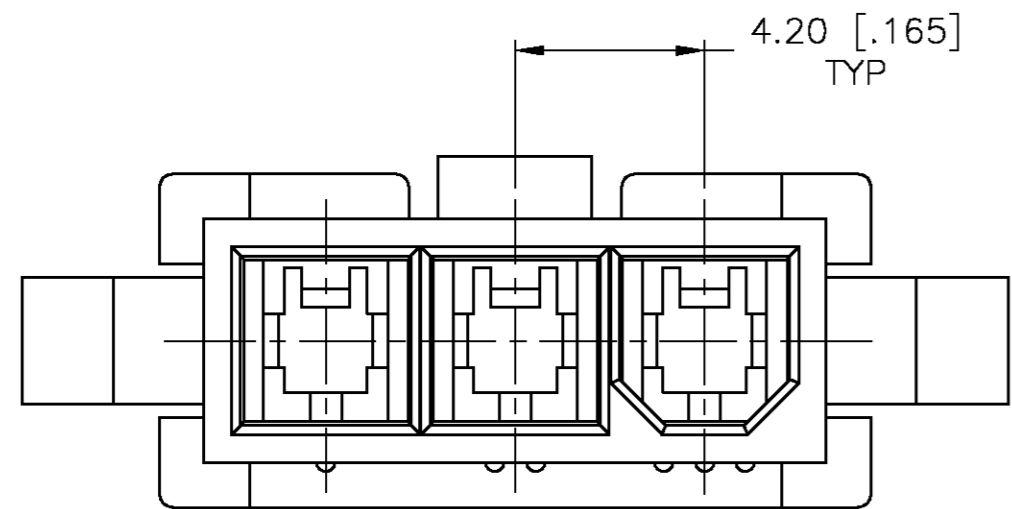
THIS DRAWING IS UNPUBLISHED. RELEASED FOR PUBLICATION  
 © COPYRIGHT BY TYCO ELECTRONICS CORPORATION. ALL RIGHTS RESERVED.

LOC	DIST	REVISIONS			
P	LTR	DESCRIPTION	DATE	DWN	APVD
0		OG3B-0823-03	06-JAN-04	SH	DC



RECOMMENDED PANEL CUT-OUT  
 2.00 [.079] MAX THICK PANEL

1. MATERIAL: NYLON UL94V-2.
2. PANEL MUST BE PUNCHED SO THAT THE HOUSING ENTERS THE PANEL IN THE SAME DIRECTION AS THE PUNCH.



**METRIC**

1586101-3  
 PART NO.

THIS DRAWING IS A CONTROLLED DOCUMENT.		DWN S. HOOVER	06-JAN-2004	<b>tyco</b> Electronics	Tyco Electronics Corporation Harrisburg, PA 17105-3608	
DIMENSIONS: MM (INCHES)		CHK D. COLEY	06-JAN-2004		NAME 3 POS, PLUG, 4.2mm, V2	
TOLERANCES UNLESS OTHERWISE SPECIFIED:		APVD D. COLEY	06-JAN-2004	PRODUCT SPEC		
0 PLC ±		APPLICATION SPEC		RESTRICTED TO		
1 PLC ±		WEIGHT		SIZE	CAGE CODE	DRAWING NO
2 PLC ± 0.13 [.005]		CUSTOMER DRAWING		A2	00779	1586101
3 PLC ±		SCALE		6:1		
4 PLC ±		SHEET		1 OF 1		
ANGLES ± 0°30'		REV		0		
FINISH		MATERIAL		NYLON 66 UL94V-2		