

IP Rated Category 6A Panel Mountable Socket



IP Rated Category 6A Panel Mountable Socket (WSGJK)

An IP68 rated Category 6A socket that is designed to be mounted onto panels of virtually any thickness. Suitable for use with a standard patch cord, it is robust, fire retardant and suitable for any environment where dust and moisture are a concern.

Features:

- Compatible with Category 5e, Category 6 and Category 6A connections
- Fully compliant with Category 6A standards
- Designed to withstand a minimum 250 inserts
- IP68 rated on the socket side (i.e. dust tight and can be immersed for up to 30 minutes in water up to 1m depth).
- Screw in plug adaptor allows for the use of conventional patch leads and also reduces the risk of accidental disconnections.
- No unnecessary twisting of the connection, when used with a suitable cut-out.

Specifications:

- Net weight (incl. packaging): 56g
- Dimensions (incl. packaging): 110 x 55 x 50 mm
- Colour: Black housing, orange washer and silver socket

• **Materials:**

- Housing: PA66 Plastic
- Insert: Flame Retardant PBT
- Socket: Zinc alloy
- RJ45 Contact: Gold Plated Phosphor Bronze, 1.27μ" / 50μm

Packaging: packaged in individual poly bags and then bags of 20

Commodity code: 85369010

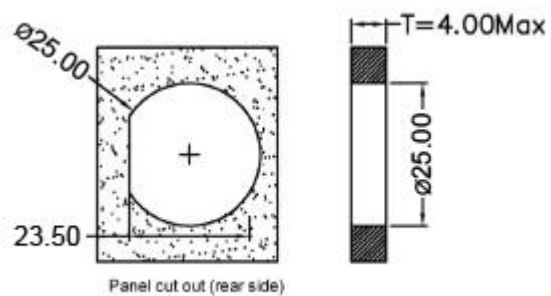
EAN: 5055386510280

Country of Origin: China

Illustrative Images:



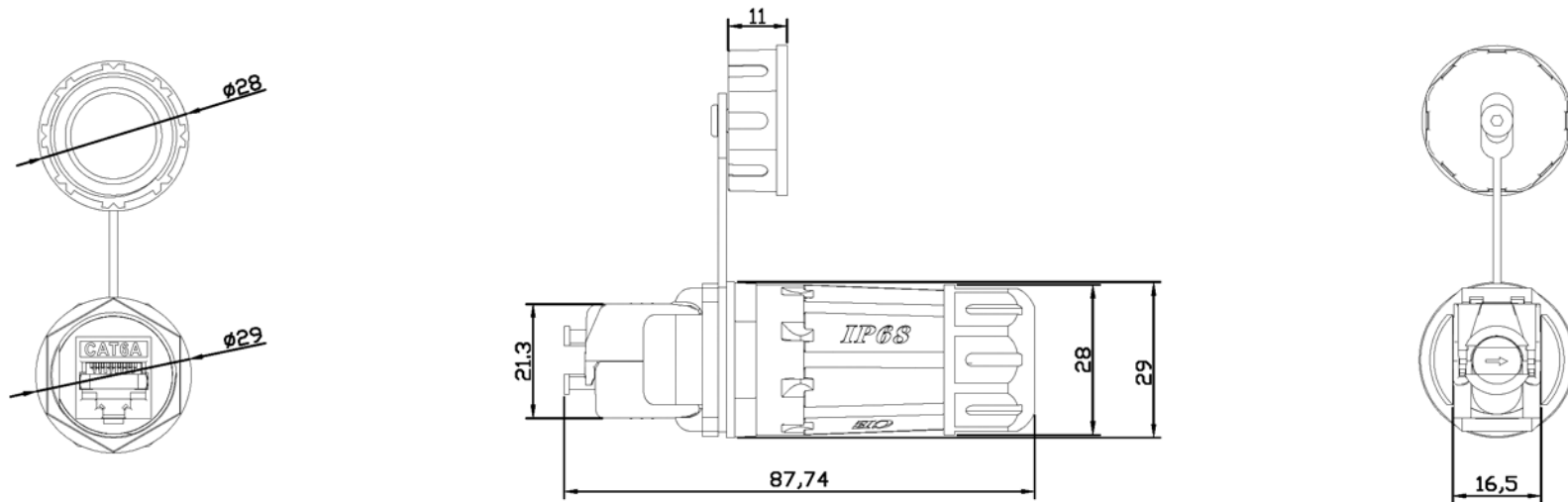
Dimensions of panel cut-out:



10/10/2022

ROHS Compliant

Code: WSGJK



NOTES:

ELECTRICAL:

1. VOLTAGE RATING:125 VAC RMS
2. CURRENT RATING:1.5AMP
3. CONTACT RESISTANCE:100MILLIOHMS MAX
4. INSULATION RESISTANCE:1000 MEGOHMS MIN @500 VDC
5. DIELECTRIC STRENGTH:750 VAC RMS 60Hz, 1MIN

ENVIRONMENTAL:

1. STORAGE:-40° TO +85°
2. OPERATION:0° TO 70°

