

Category 6A field termination plug



Category 6A field termination plug (PGSmc, PGSmc#12)

TUK's Cat6A field termination plug is the RJ45 plug for time-saving and efficient on-site assembly for all networks, from Voice right through to 10 Gigabit Ethernet. It can be assembled on all standard types of cable, quickly and with no requirement of special tools. Whether in the office, data centre, in industry or in home networks – the Cat6A field termination plug offers flexibility and saves time and money on installation, repairs and maintenance.

Features

- Category 6A Class EA Field Termination Plug, with 568A/B and PNO wiring label
- Robust industrial fully shielded design
- Works with solid or stranded cable
- Suitable for use with a wide range of cable outer diameter and core sizes – 6-9mm cable OD, 22-27 AWG cores (core including insulation up to OD 1.6mm)
- Reusable (27AWG cable only reusable up to 5 times)
- No tools required for time saving and efficient termination on site
- Rated for 750 mechanical cycles
- IP20 rated and UL approved
- Compliant with PoE+ and 4PPoE
- Note: not ideal for short length (4m or less) Category 6A patch cords

Specifications

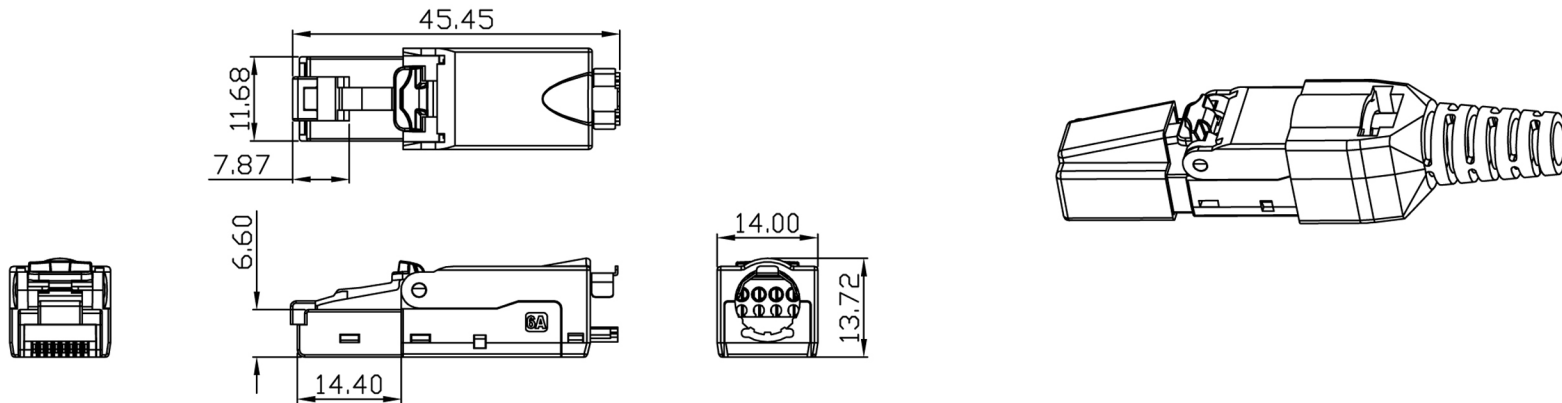
- **Materials:**
 - RJ45 plug: housing: nickel-plated zinc-alloy, contacts: 50 μ "/1.27 μ m gold plating over phosphor bronze
plug cover: ABS, plug latch: POM
 - RJ45 jack: housing nickel-plated zinc-alloy
 - IDC: housing and cover: PC FR, terminals/contacts: tin-plated phosphor bronze
 - Earthing plate: SUS304
 - Strain relief: PP
- **Net Weights (including primary packaging):**
 - PGSmc: 22g
 - PGSmc#12: 268g
- **Dimensions (including primary packaging):**
 - PGSmc: 60 x 70 x 20 mm
 - PGSmc#12: 105 x 220 x 25 mm
- **Packaging:**
PGSmc: in individual poly bag then in bags of 20
PGSmc#12: single use plastic minimised, in a carton of 12
- **EAN Numbers:**
PGSmc: 5055386505934
PGSmc#12: 5055386510181
- **Commodity Code:** 85444920 **Country of Origin:** China

Illustrative image of packaging:



ROHS Compliant

Code: PGSmc



SPECIFICATION

- Current rating : 1.5A
- Dielectric withstanding voltage :
Contact/contact:mated or terminated connectors 1000V DC
All contacts to screen:mated or terminated connectors 1000V DC
- Insulation resistance : 500M Ω MIN.
- Contact resistance : 20m Ω MAX.
- Durability:750 mechanical cycles
- Wiring properties: 27~22 AWG(resuable up to 5 times only for 27AWG)
- Supporting cable diameter: 6~9mm

MATERIAL

- (1) RJ45 Plug cover:ABS
- (2) RJ45 Plug Contact:Phosphor bronze, 50u" Glod plating
- (3) RJ45 Plug Housing: Zinc-alloy ,Nickel Plated
- (4) RJ45 Plug Latch:POM
- (5) IDC Housing: PC FR
- (6) RJ45 JACK Bottom cover: Zinc-alloy ,Nickel Plated
- (7) IDC Housing cover: PC FR
- (8) IDC Terminals: Phosphor bronze,Tin Plated
- (9) Grounding plate:SUS304
- (10) Cable cover:PP

