

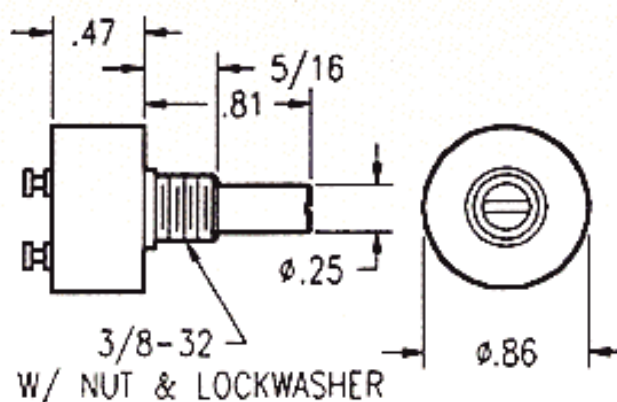
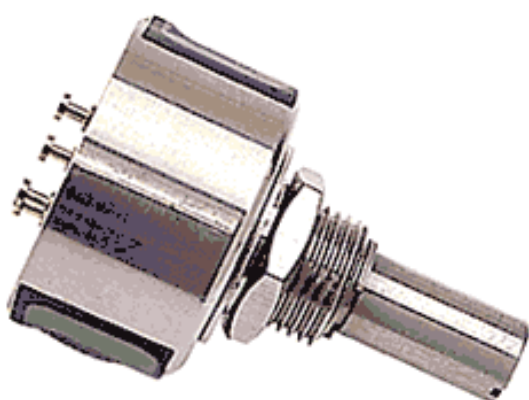


(<https://etisystems.com>)

Search...



Home (<https://etisystems.com/>) » Product (<https://etisystems.com/product/>) » SP22D Conductive Plastic Precision Single Turn Potentiometer



SP22D Conductive Plastic

Precision Single Turn Potentiometer

View the [Single Turn Potentiometer Design Guide](/linear-control-potentiometer-design-guide/)

[Download Engineering Drawing For this Product \(Right click and save target as\)](/wp-content/uploads/2016/09/sp22d.pdf)
(</wp-content/uploads/2016/09/sp22d.pdf>)

Product Features



-
- Conductive Plastic Element. Gold Plated Rear Terminals.
 - Plated Brass Housing. Brass Bushing, Stainless Steel Shaft.
 - Recommended for Heavy Equipment, Robotics, Industrial, Test and Lab Equipment.
 - Life Expectancy: 10 million turns
 - Resistance Tolerance: $\pm 15\%$ standard ($\pm 10\%$ available)
 - Linearity Tolerance: $\pm 1.0\%$ standard ($\pm 0.5\%$ available)
 - Electrical Angle: $320^\circ \pm 5^\circ$
 - Mechanical Angle: $320^\circ \pm 5^\circ$
 - Power Rating: 1 Watt
 - Torque: 0.7 oz. in.
 - Weight: Approx. 1.1 oz.

Click Here for Applications and Options
(<https://etisystems.com/single-turn-potentiometers-applications-and-options/>)



<https://etisystems.com>

[Home](#) [RoHS/REACH](#) [Cross Reference](#) [Distributors](#) [Request For Quote](#)

Contact Us
<https://etisystems.com/contact-us/>

Copyright ©2022 ETI Systems and/or its Affiliates. All Rights Reserved

