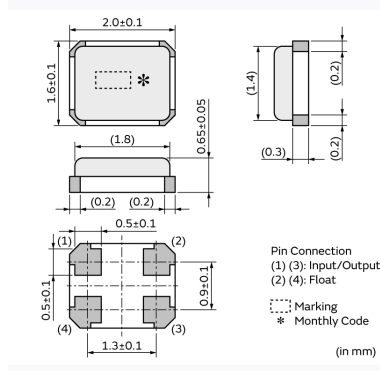
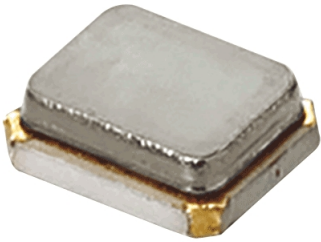


# XRCGE26M000FBA2AR0



## Appearance & Shape



## Features

The crystal unit for automotive electronics that realized small package and highly accurate frequency. Based on Murata's excellent package technology and high grade quartz crystal elements, achieving small size and high accuracy unit.

### Features

- 1.The series has high reliability and is available for a wide temperature range.
- 2.The crystal unit is small size (2.0 x 1.6 x 0.7 (mm)), and contribute to reduction in mounting area.
- 3.The series complies to RoHS and ELV directives, being lead-free (phase 3).
- 4.The series complies to AEC-Q200.

## Applications

|                  |                   |
|------------------|-------------------|
| Automotive Usage | Powertrain/Safety |
| Other Usage      | Automotive        |

## Packaging Information

| Packaging | Specifications     | Standard Packing Quantity |
|-----------|--------------------|---------------------------|
| R0        | 180mm Plastic Tape | 3000                      |

### Attention

- 1.This datasheet is downloaded from the website of Murata Manufacturing Co., Ltd. Therefore, it's specifications are subject to change or our products in it may be discontinued without advance notice. Please check with our sales representatives or product engineers before ordering.
- 2.This datasheet has only typical specifications because there is no space for detailed specifications. Therefore, please review our product specifications or consult the approval sheet for product specifications before ordering.

# XRCGE26M000FBA2AR0



## Specifications

|                                    |                          |
|------------------------------------|--------------------------|
| Product Type                       | Crystal Unit             |
| Series                             | XRCGE                    |
| Type                               | HCR2016                  |
| Frequency                          | 26.0000MHz               |
| Frequency Tolerance                | +/-15ppm max. (25+/-3°C) |
| Operating Temperature Range        | -40°C~125°C              |
| Frequency Shift by Temperature     | +/-35ppm max.            |
| Frequency Aging                    | +/-10ppm max./10years    |
| Equivalent Series Resistance (ESR) | 60ohm max.               |
| Drive Level (DL)                   | 300μW max.               |
| Load Capacitance (Cs)              | 8pF                      |
| Shape                              | SMD                      |
| Wash                               | Not available            |
| L x W (size)                       | 2.0x1.6mm                |
| Mass                               | 6.9mg                    |

### Attention

1.This datasheet is downloaded from the website of Murata Manufacturing Co., Ltd. Therefore, it's specifications are subject to change or our products in it may be discontinued without advance notice. Please check with our sales representatives or product engineers before ordering.

2.This datasheet has only typical specifications because there is no space for detailed specifications.

Therefore, please review our product specifications or consult the approval sheet for product specifications before ordering.