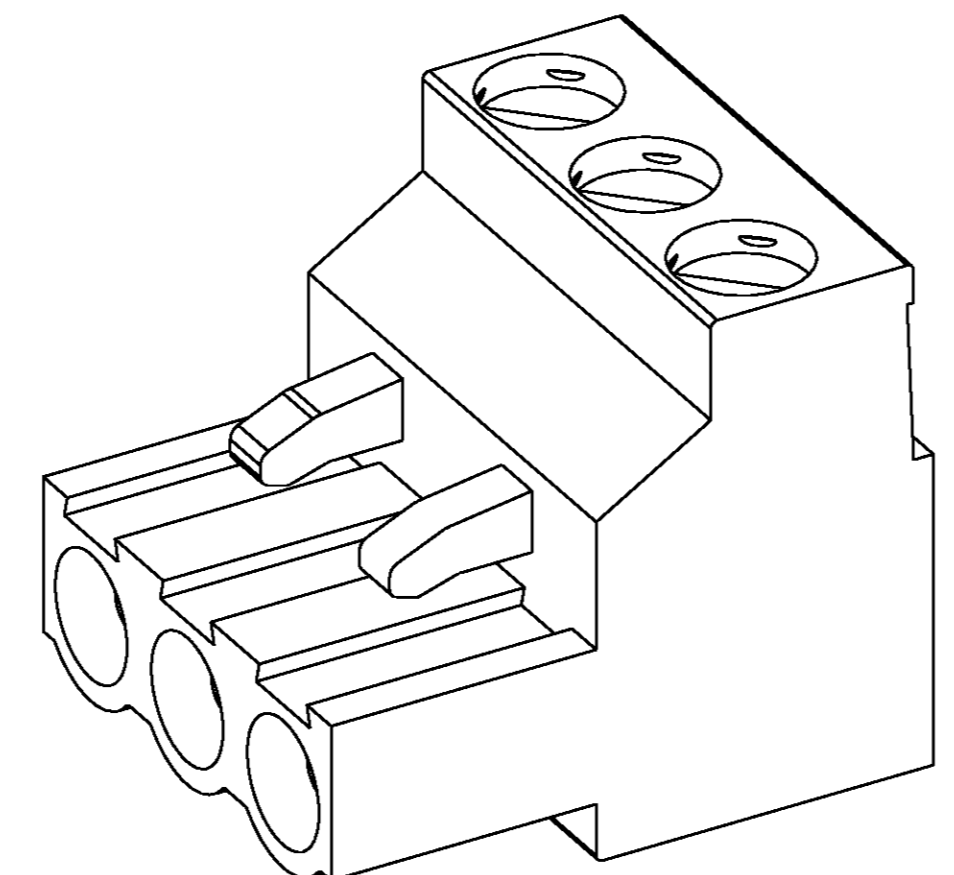
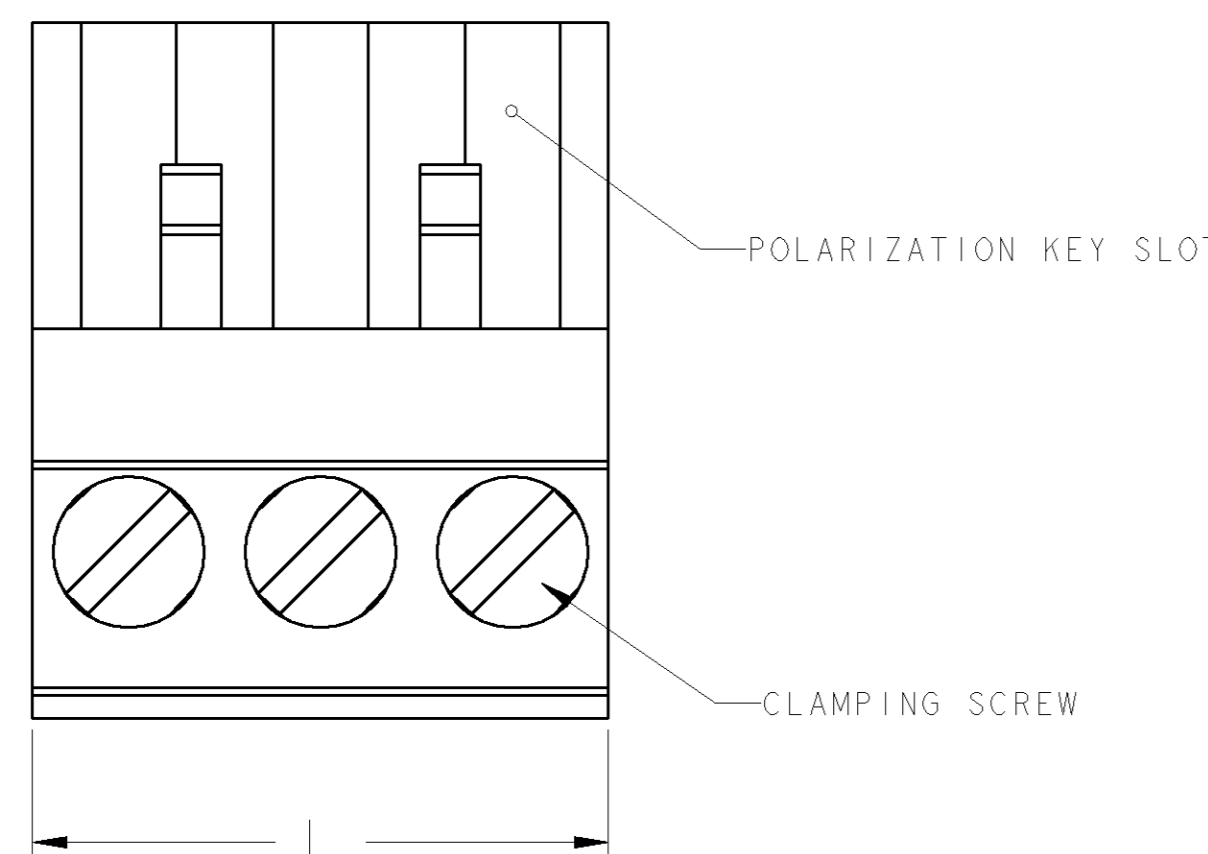
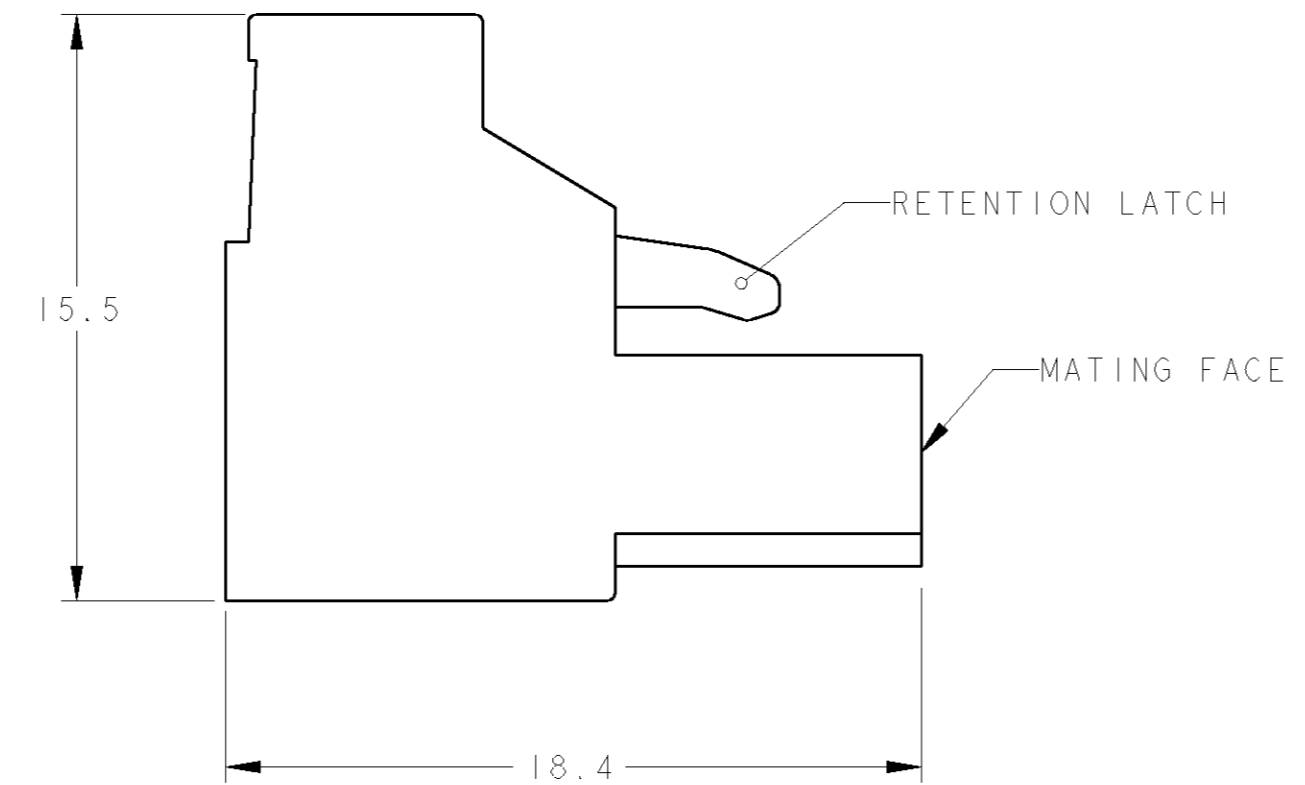
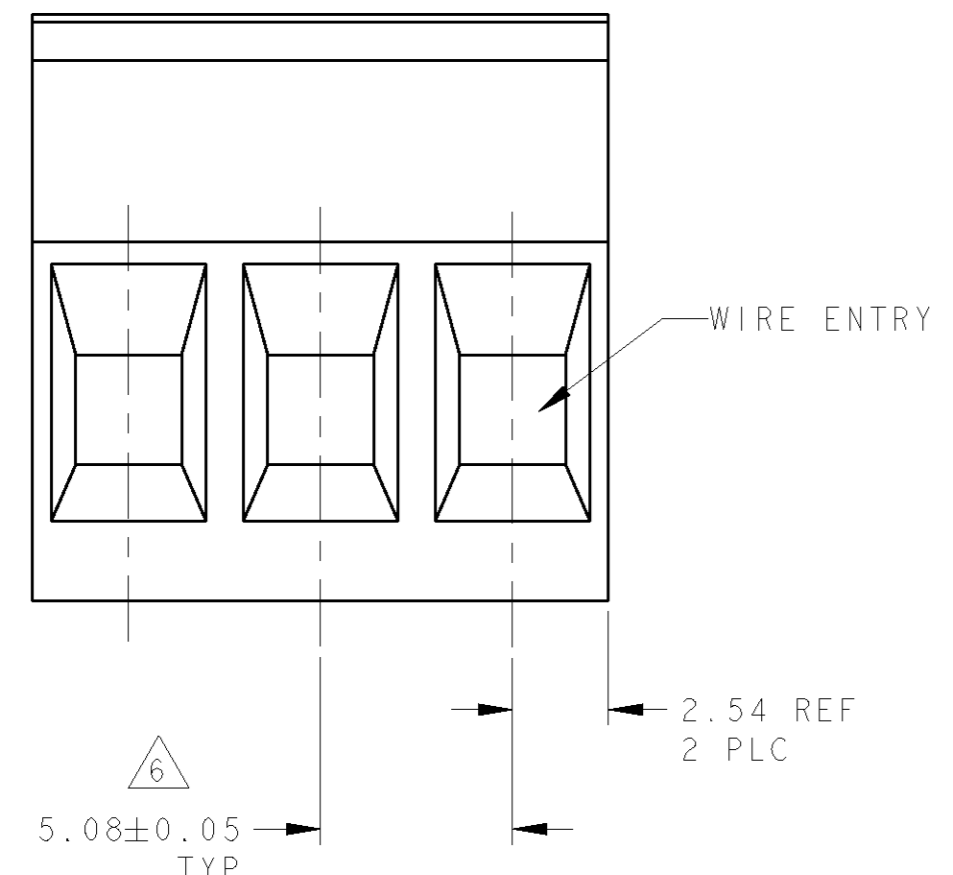


LOC		DIST		REVISIONS			
FT	0	P	LTR	DESCRIPTION	DATE	DWN	APVD
		M		ADDED 6-6, EC 0638-0555-03	17JUL2003	SW	CR
		N		REVISED EC 0638-0586-03	17JUL2003	SW	CR



796634-3 AS SHOWN

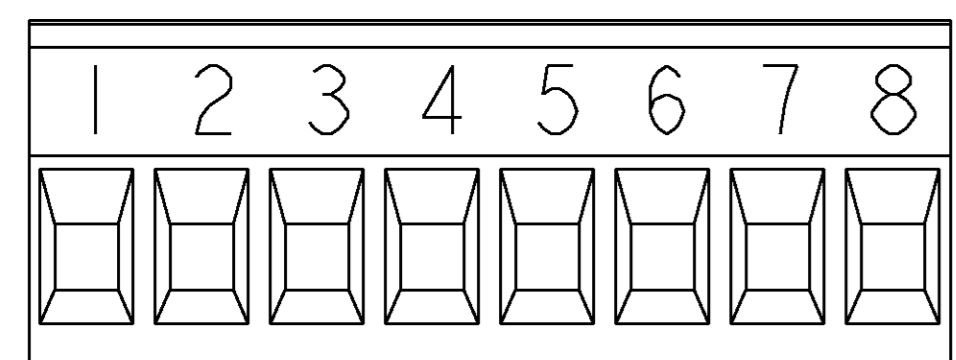


- △ MATERIALS AND FINISH:  
 HOUSING: PA 6-6, UL 94-V0, COLOR: GREEN.  
 CLAMP: BRASS, PLATING: SEE TABLE.  
 DOUBLE SIDE CONTACT SPRING: PHOSPHOR BRONZE, PLATING: SEE TABLE.  
 CLAMPING SCREW: M3, BRASS, NICKEL PLATED.
- END-TO-END STACKABLE WITHOUT LOSS OF CENTERLINE SPACING.
  - WIRE SIZE RANGE: 12-30 AWG.
  - RECOGNIZED UNDER THE COMPONENT PROGRAM OF UNDERWRITERS LABORATORIES INC. FILE N° E60677.
  - IMQ CERTIFICATE WITH SURVEILLANCE IN CONFORMITY WITH IEC 998-1/998-2-1.
- △ NOT CUMULATIVE TOLERANCE
- △ INK MARKING, WHITE COLOR
- △ INK MARKING, BLACK COLOR
- △ NUMERICAL SEQUENCE: FROM LEFT TO RIGHT UNLESS OTHERWISE SPECIFIED.
- BUCHANAN LOGO TO APPEAR ON HOUSING, LOCATION OPTIONAL WHERE SPACE PERMITS.

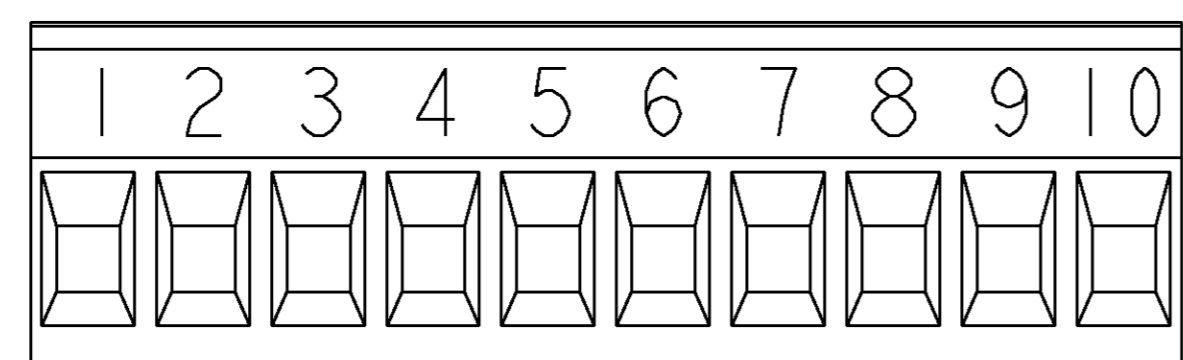
PRELIMINARY	NICKEL	TIN	△7 △9	DETAIL X	15.24	3	6-796634-6
PRELIMINARY	NICKEL	TIN	△8 △9	DETAIL W	101.60	20	6-796634-5
	NICKEL	TIN	△7	DETAIL V	15.24	3	6-796634-4
	NICKEL	TIN	△7	DETAIL T	15.24	3	6-796634-3
	NICKEL	TIN	△7	DETAIL S	10.16	2	6-796634-2
	.000008 GOLD OVER NICKEL	.000008 GOLD OVER NICKEL	-	-	10.16	2	5-796634-6
	NICKEL	GOLD FLASH	-	-	25.40	5	5-796634-5
	NICKEL	GOLD FLASH	-	-	20.32	4	5-796634-4
	NICKEL	GOLD FLASH	-	-	10.16	2	5-796634-2
	NICKEL	TIN	△7	DETAIL R	71.12	14	4-796634-4
	NICKEL	TIN	△8 △9	DETAIL P	55.88	11	4-796634-2
	NICKEL	TIN	△7 △9	DETAIL P	55.88	11	4-796634-1
	NICKEL	TIN	△8	DETAIL N	81.28	16	4-796634-0
	NICKEL	TIN	△7 △9	DETAIL M	81.28	16	3-796634-9
	NICKEL	TIN	△8 △9	DETAIL K	121.92	24	3-796634-8
	NICKEL	TIN	△7 △9	DETAIL J	121.92	24	3-796634-7
	NICKEL	TIN	△8 △9	DETAIL H	121.92	24	3-796634-6
	NICKEL	TIN	△7 △9	DETAIL G	121.92	24	3-796634-5
	NICKEL	TIN	△8 △9	DETAIL F	121.92	24	3-796634-4
	NICKEL	TIN	△7 △9	DETAIL E	50.80	10	2-796634-8
	NICKEL	TIN	△7 △9	DETAIL D	40.64	8	2-796634-7
	NICKEL	TIN	-	-	127.00	25	2-796634-5
	NICKEL	TIN	-	-	121.92	24	2-796634-4
	NICKEL	TIN	-	-	116.84	23	2-796634-3
	NICKEL	TIN	-	-	111.76	22	2-796634-2
	NICKEL	TIN	-	-	106.68	21	2-796634-1
	NICKEL	TIN	-	-	101.60	20	2-796634-0
	NICKEL	TIN	-	-	96.52	19	1-796634-9
	NICKEL	TIN	-	-	91.44	18	1-796634-8
	NICKEL	TIN	-	-	86.36	17	1-796634-7
	NICKEL	TIN	-	-	81.28	16	1-796634-6
	NICKEL	TIN	-	-	76.20	15	1-796634-5
	NICKEL	TIN	-	-	71.12	14	1-796634-4
	NICKEL	TIN	-	-	66.04	13	1-796634-3
	NICKEL	TIN	-	-	60.96	12	1-796634-2
	NICKEL	TIN	-	-	55.88	11	1-796634-1
	NICKEL	TIN	-	-	50.80	10	1-796634-0
	NICKEL	TIN	-	-	45.72	9	796634-9
	NICKEL	TIN	-	-	40.64	8	796634-8
	NICKEL	TIN	-	-	35.56	7	796634-7
	NICKEL	TIN	-	-	30.48	6	796634-6
	NICKEL	TIN	-	-	25.40	5	796634-5
	NICKEL	TIN	-	-	20.32	4	796634-4
	NICKEL	TIN	-	-	15.24	3	796634-3
	NICKEL	TIN	-	-	10.16	2	796634-2
	CLAMP PLATING	CONTACT PLATING	MARKING	SPECIAL	L	NO OF POSN	PART NUMBER

DIMENSIONS:		TOLERANCES UNLESS OTHERWISE SPECIFIED:		DWN S. WELDON 18OCT2000		BUCHANAN Tyco Electronics Harrisburg, PA 17105-3608	
mm		9 PLC ±.3		CHK D. BIEVENOUR 18OCT2000		NAME TERMINAL BLOCK, PLUG, STACKING, 5.08mm PITCH	
		3 PLC ±0.25		APVD D. BIEVENOUR 18OCT2000		PRODUCT SPEC	
		4 PLC ±.2		APPLICATION SPEC		SIZE CAGE CODE DRAWING NO RESTRICTED TO	
MATERIAL		FINISH		WEIGHT		A 00779 C=796634	
△		△		CUSTOMER DRAWING		SCALE 5:1 SHEET 1 OF 2 REV N	

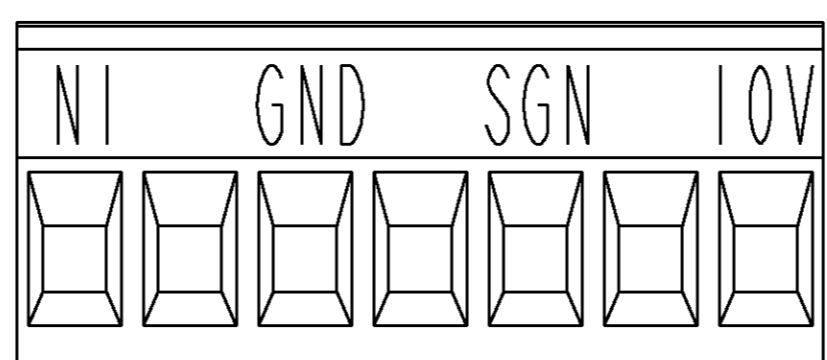
LOC		DIST		REVISIONS			
FT	0	P	LTB	DESCRIPTION	DATE	DWN	APVD
		-		SEE SHEET 1	-	-	-



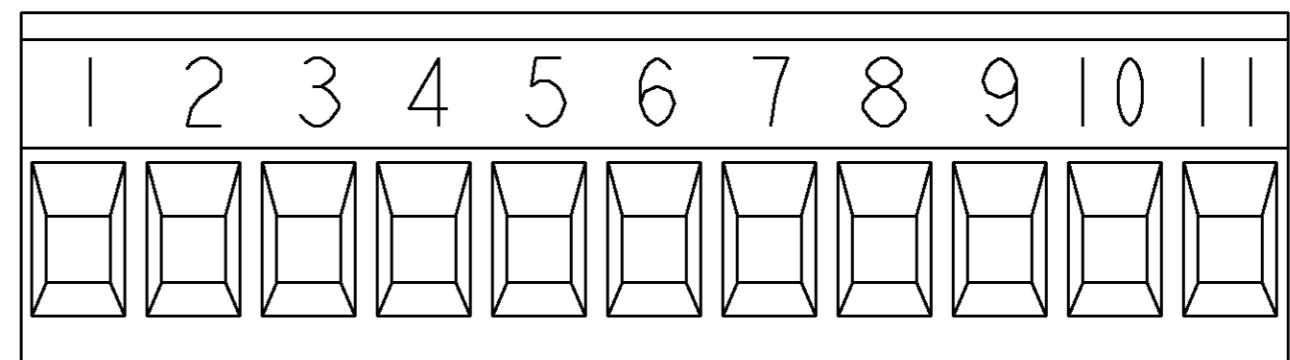
DETAIL D



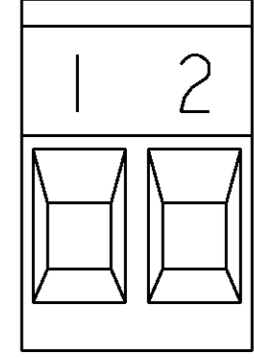
DETAIL E



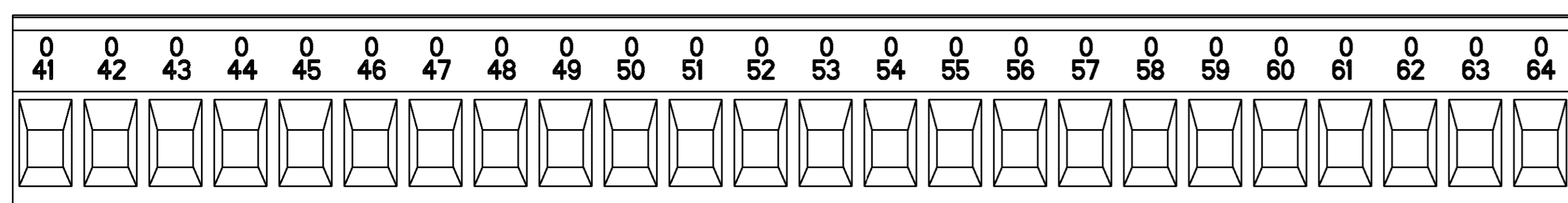
DETAIL N



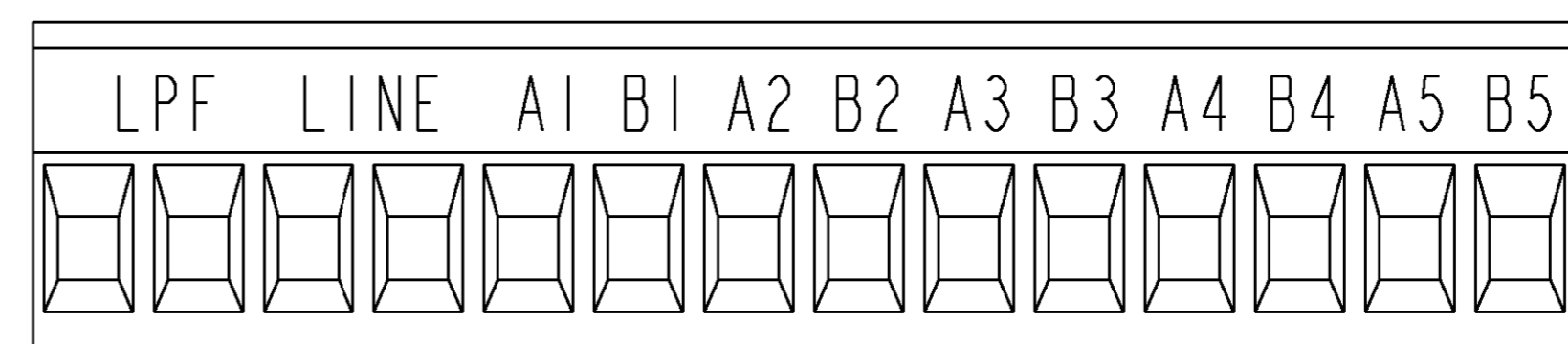
DETAIL P



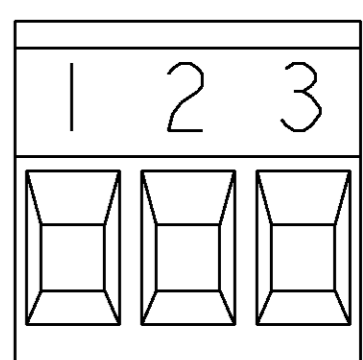
DETAIL S



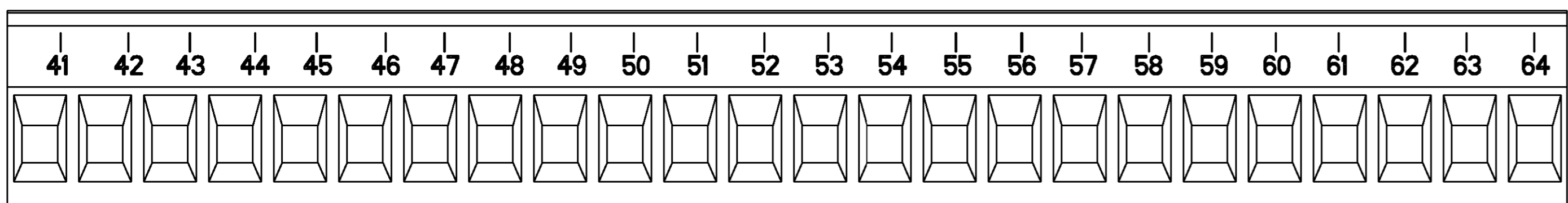
DETAIL F



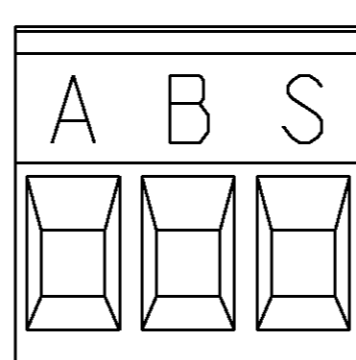
DETAIL R



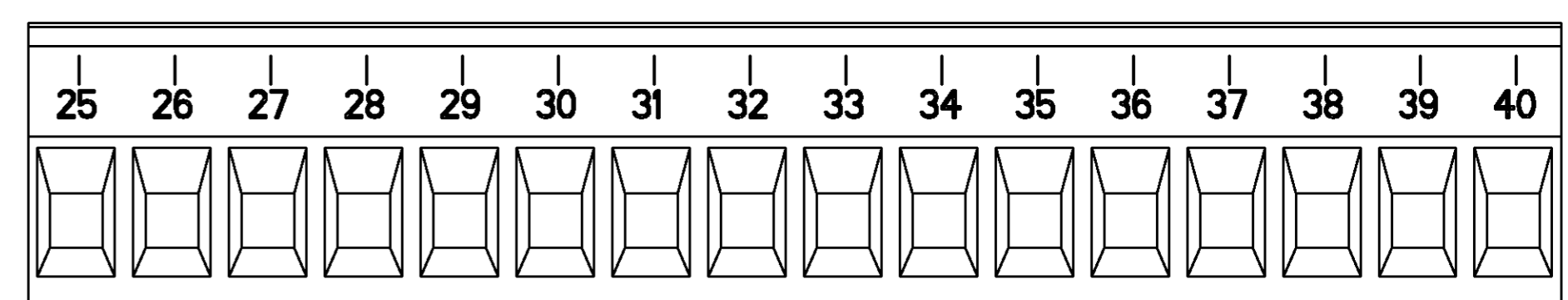
DETAIL T



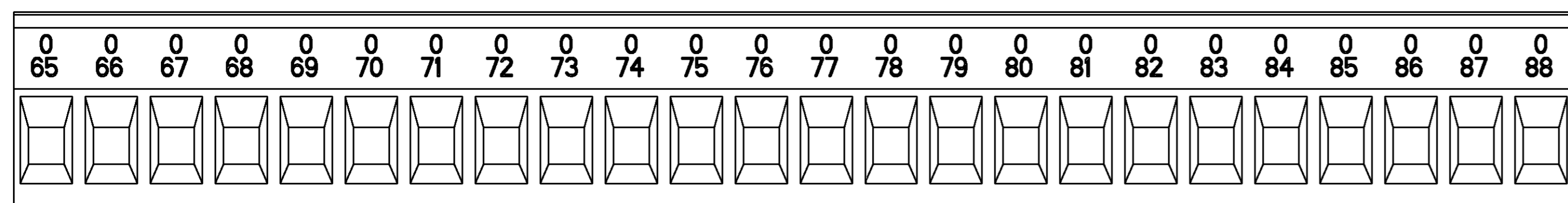
DETAIL G



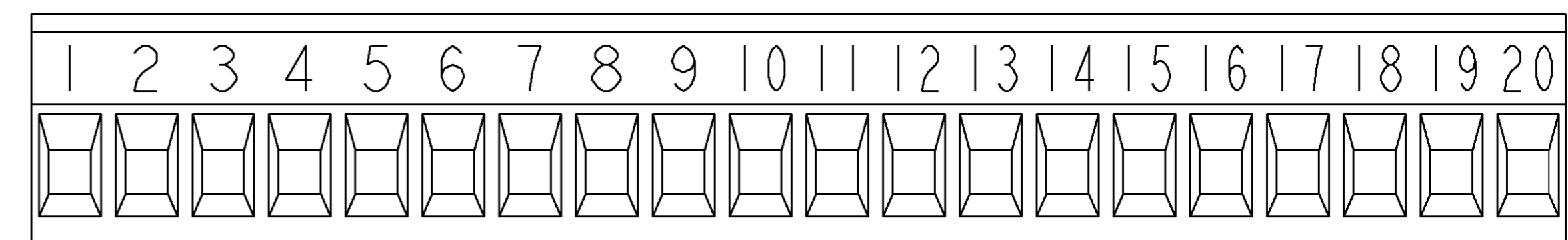
DETAIL V



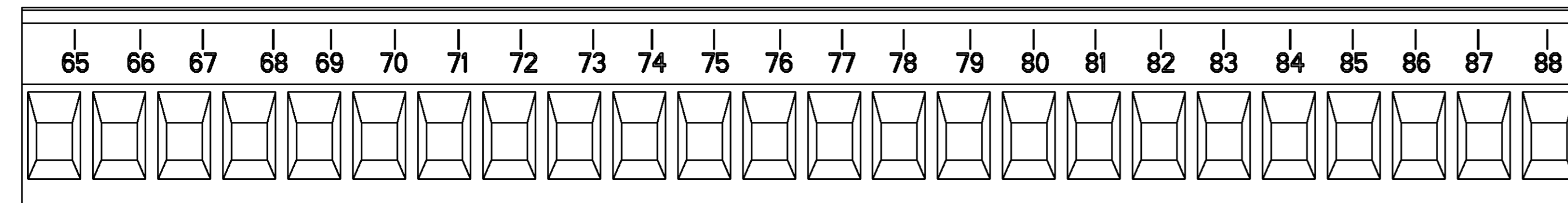
DETAIL M



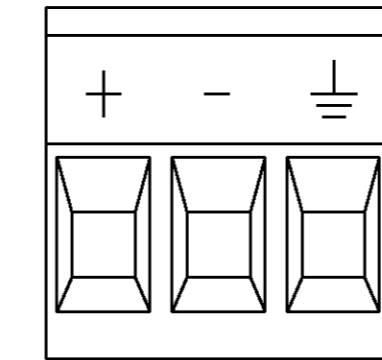
DETAIL H



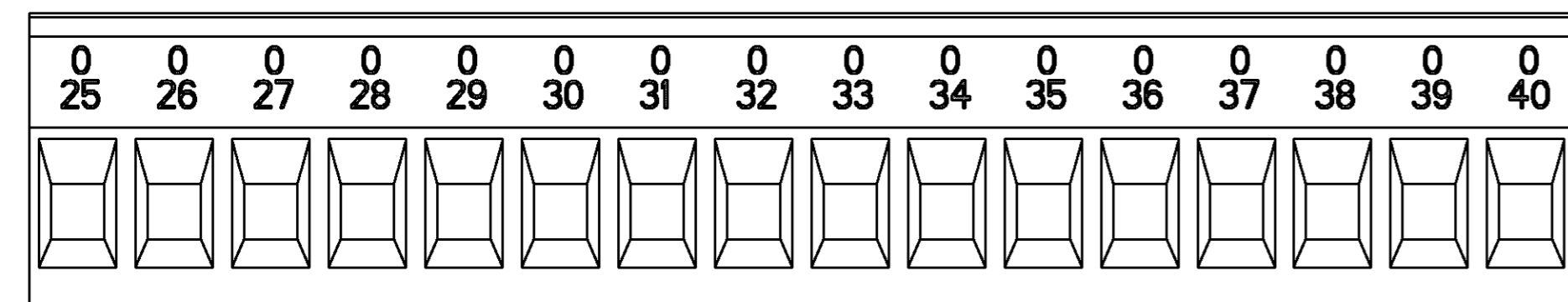
DETAIL W



DETAIL J



DETAIL X



DETAIL K

<small>THIS DRAWING IS UNPUBLISHED. RELEASED FOR PUBLICATION BY TYCO ELECTRONICS CORPORATION. ALL RIGHTS RESERVED.</small>		DWN S. WELDON 18OCT2000 CHK D. BIEVENOUR 18OCT2000 APVD D. BIEVENOUR 18OCT2000	<b>BUCHANAN</b> Tyco Electronics Harrisburg, PA 17105-3608
DIMENSIONS: mm 		TOLERANCES UNLESS OTHERWISE SPECIFIED: 0 PLC ± 1 PLC ±0.3 2 PLC ±0.25 3 PLC ± 4 PLC ± ANGLES ± FINISH ±	NAME: TERMINAL BLOCK, PLUG, STACKING, 5.08mm PITCH PRODUCT SPEC: APPLICATION SPEC: SIZE: A1 CAGE CODE: 00779 DRAWING NO: 796634 RESTRICTED TO: N
MATERIAL:		WEIGHT:	CUSTOMER DRAWING: SCALE 3:1 SHEET 2 OF 2 REV N