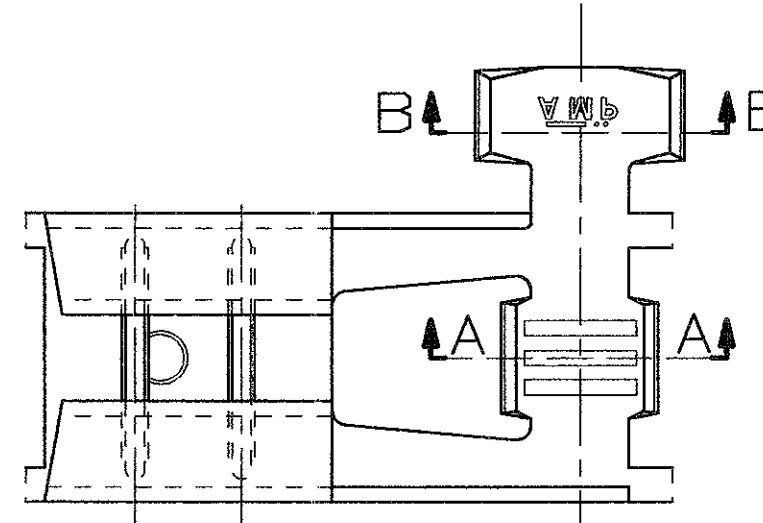
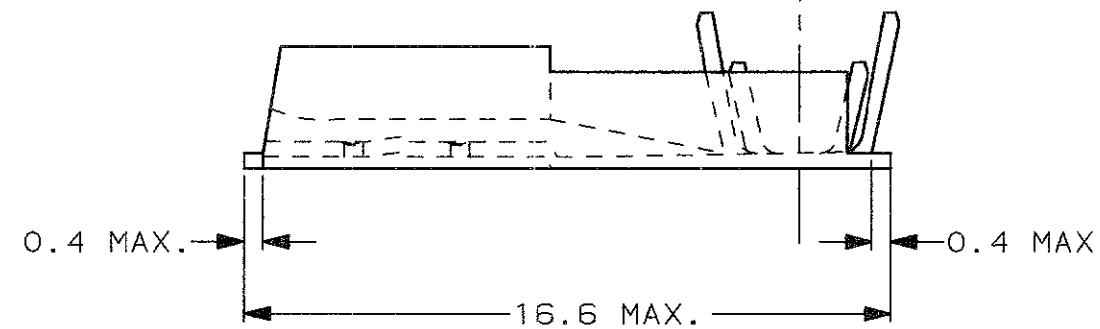
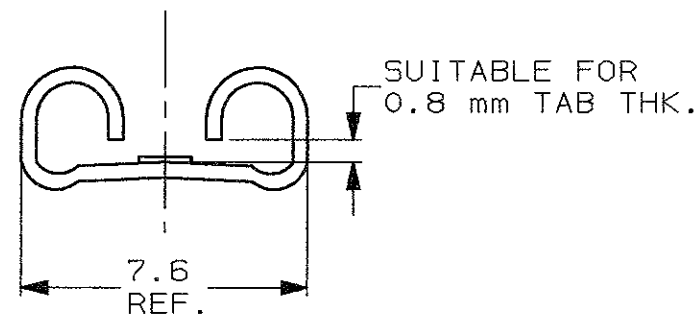


SCALA NON IMPEGNATIVA
(DO NOT SCALE)
DIMENSIONI IN mm
(DIMENSIONS IN mm)

METRIC

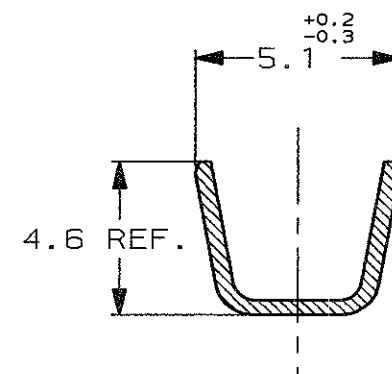
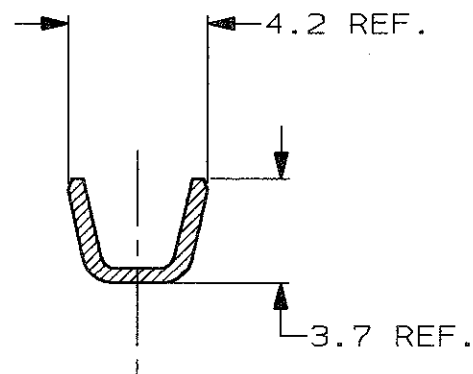


- 1) PER LA VERSIONE IN NASTRO
VEDERE DISEGNO 180397.
(FOR STRIP FORM VERSION SEE DRAWING 180397).
- 2) CONFEZIONAMENTO IN ACCORDO
ALLA SPECIFICA AMP 107-20201.
(PACKAGE ACCORDING TO AMP SPEC. 107-20201).



SECTION A-A

SECTION B-B



STAGNATO (TIN PLATED)	BRONZO FOSF. (PHOS. BRONZE)	0-180429-5	K
STAGNATO (TIN PLATED)	OTTONE (BRASS)	0-180429-2	K
NUDO (UNPLATED)	OTTONE (BRASS)	0-180429-1	K
FINITURA / COLORE (FINISH / COLOUR)	MATERIALE (MATERIAL)	NUMERO (AMP P/N)	REV

CUSTOMER DWG. FOR REFERENCE ONLY DISEGNO PER CLIENTE SOLO PER RIFERIMENTO

THIS DRAWING IS UNPUBLISHED RELEASE FOR PUBLICATION 19
© COPYRIGHT 19 BY AMP INCORPORATED, HARRISBURG, PA. ALL INTERNATIONAL RIGHT RESERVED. AMP PRODUCTS MAY BE COVERED BY U.S. AND FOREIGN PATENT AND/OR PATENT PENDING

TOLLERANZE, SE NON DIVERSAMENTE SPECIFICATO (TOLERANCES, UNLESS OTHERWISE SPECIFIED)	DIAM. ISOLANTE (INS. DIA. RANGE)	RANGO FILO (WIRE RANGE)	SCALA (SCALE)
± 0.3	2.5-3.8	1.0-2.5	5:1
ANGOLI (ANGLES)	AMP AMP ITALIA S.p.A. Corso F. LLI Cervi, 15 COLLEGNO (TORINO)		

DIS. 21 JUN 2001 (DR.) H. YAALI DESCRIZIONE (DESCRIPTION) FASTON® Connector, .250" FLAG REC. CONTACT (LOOSE PIECE VERSION)
CONT. 21 JUN 2001 (CHK) C. TARTARI

REV.	REV. LTR.	REVISIONI (REVISION RECORD)	DIS.	DATA (DATE)
K		OBSOLETE PARTS & REDRAWN ET00-0161-01	H.Y.	04 JUL 2001

LOC.	SIZE	NUMERO (DWG NO)	REV.	FOGLIO (SHEET)
I	A3	C-180429	K	1 OF 1

DISTRIBUZIONE
(PRINT DIST.)