

Production for the Molex MX150L terminals requires a FineAdjust™ applicator with reeled products. It is compatible with the Molex TM-3000™ (63801-7200) and TM-2000™ (63800-8300) Universal Press, plus most industry standard presses. However, it does NOT fit into TM-40™ or TM-42™ presses.

Also available is a two-nested, parallel acting Molex hand tool. For higher volumes, an applicator with reeled product is recommended.

Mechanical

Dimensions:

- Height — 152.00mm (6.00")
- Width — 132.00mm (5.346")
- Depth — 101.00mm (4.00")

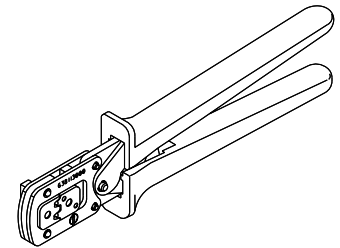
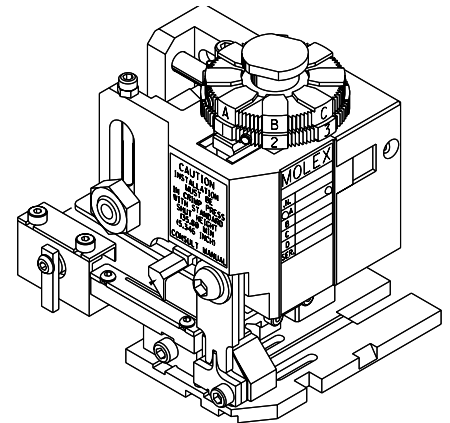
Weight:

- Gross — 5.4kg (12 lbs.)
- Unpacked — 4.1kg (9 lbs.)

Mechanics:

- Stroke — 28.50 and 41.30mm (1.125 and 1.625")
- Shut Height — 135.8mm (5.346")

Processing Capability: 2500 terminations per hour, depending on operator's skill and application



ORDERING INFORMATION

Terminal Type	Pin Length	Wire Gauge	Reeled No.	Order No.		Loose Terminal No.	Hand Tool No.
				Complete Applicator	Perishable Tool Kit		
Male Pre-Tin	Standard	18-22 AWG	19417-0024	63865-6100	63865-6170	19417-0048	63811-4400
		14-16 AWG	19417-0011	63865-6000	63865-6070	19417-0047	63811-4400
		10-12 AWG	19431-0001	63832-5000	63832-5070	19431-0016	63811-5300
		8 AWG	19431-0015	63832-5100	63832-5170	19431-0017	63811-5400
	Long	18-22 AWG	19417-0028	63865-6100	63865-6170	19417-0052	63811-4400
		14-16 AWG	19417-0027	63865-6000	63865-6070	19417-0051	63811-4400
Male Gold	Standard	18-22 AWG	19417-0026	63865-6100	63865-6170	19417-0050	63811-4400
		14-16 AWG	19417-0025	63865-6000	63865-6070	19417-0049	63811-4400
	Long	18-22 AWG	19417-0030	63865-6100	63865-6170	19417-0054	63811-4400
		14-16 AWG	19417-0029	63865-6000	63865-6070	19417-0053	63811-4400
Female Pre-Tin	Standard	18-22 AWG	19420-0002	63865-6200	63865-6270	19420-0010	63811-4400
		14-16 AWG	19420-0001	63865-6000	63865-6070	19420-0009	63811-4400
		10-12 AWG	19434-0001	63832-5000	63832-5070	19434-0003	63811-5300
		8 AWG	19434-0002	63832-5100	63832-5170	19434-0004	63811-5400
Female Gold	Standard	18-22 AWG	19420-0004	63865-6200	63865-6270	19420-0012	63811-4400
		14-16 AWG	19420-0003	63865-6000	63865-6070	19420-0011	63811-4400

Americas Headquarters
Lisle, Illinois 60532 U.S.A.
1-800-78MOLEX
amerinfo@molex.com

Far East North Headquarters
Yamato, Kanagawa, Japan
81-462-65-2324
feninfo@molex.com

Far East South Headquarters
Jurong, Singapore
65-6-268-6868
fesinfo@molex.com
Visit our website at www.molex.com

European Headquarters
Munich, Germany
49-89-413092-0
eurinfo@molex.com

Corporate Headquarters
2222 Wellington Ct.
Lisle, IL 60532 U.S.A.
630-969-4550
Fax: 630-969-1352