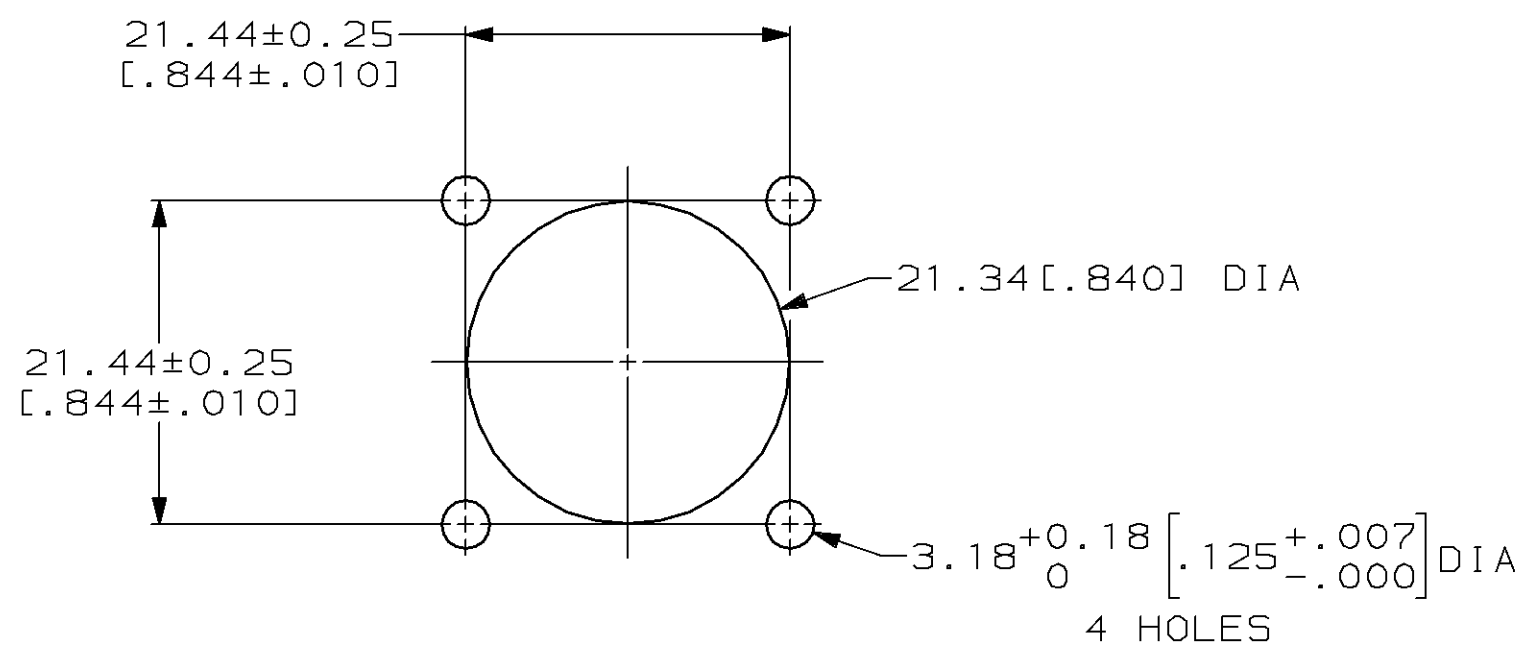
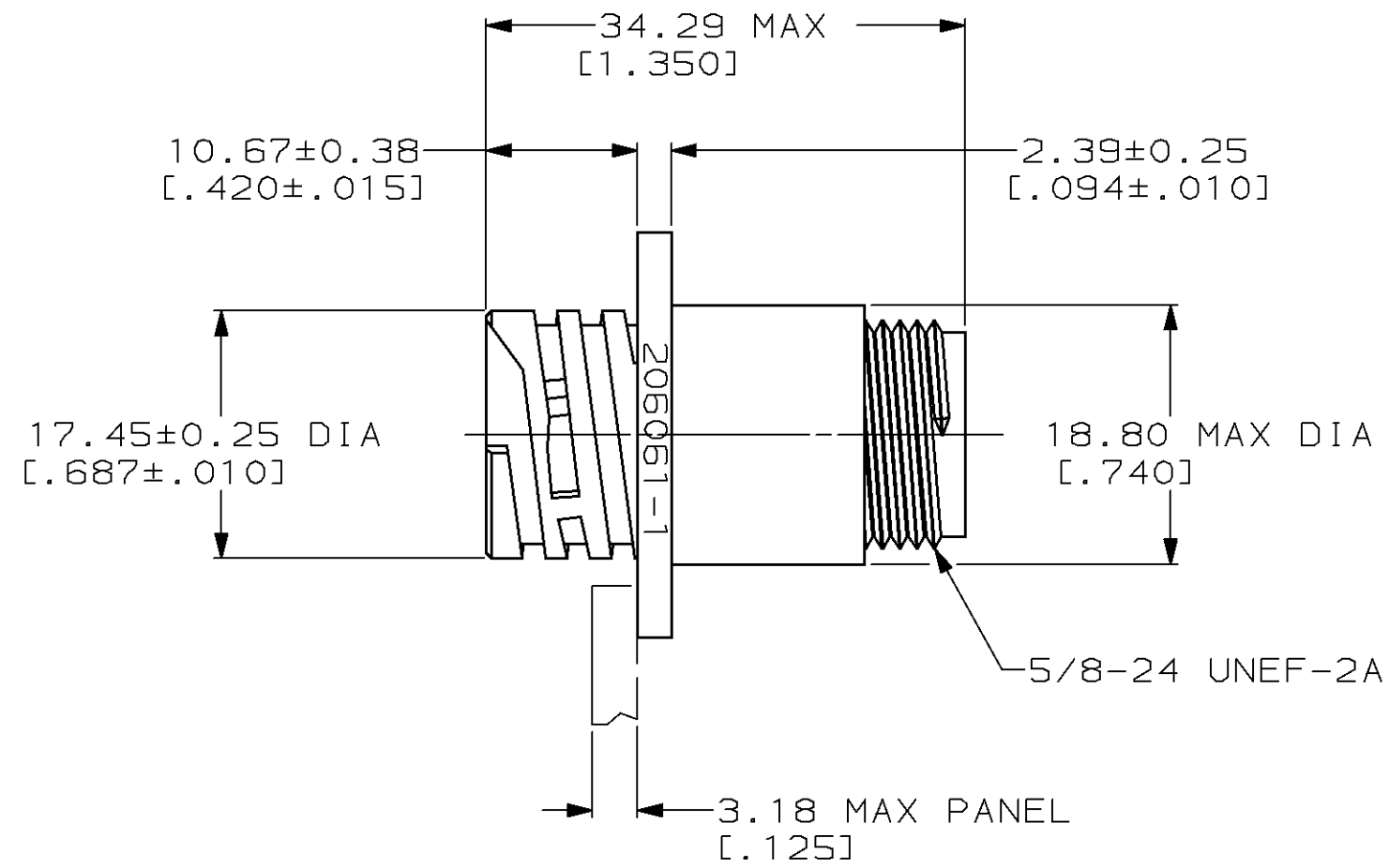
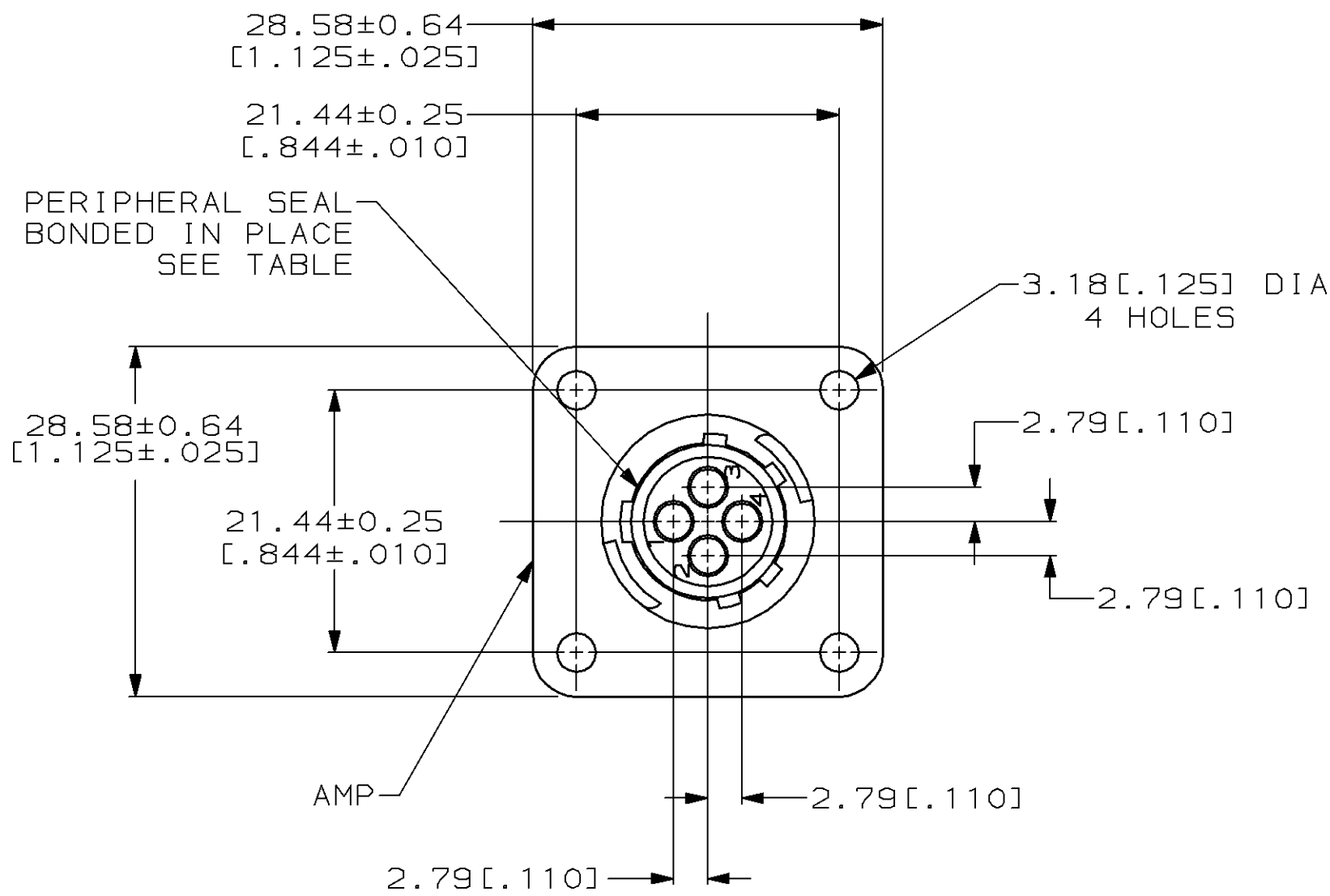


MOD		LOC		DIST		REVISIONS			
ZONE	LTR	DESCRIPTION	DATE	APPD					
4	BD	35	P	F	D	REDRAWN ON CAD & ADDED -3 NPR 4832	07/07/93	-	
					E	REACTIVATE -2 PER EC 0020-1075-94	12/05/94	AF	



RECOMMENDED PANEL CUTOUT

- CAVITY IDENTIFICATION ON FRONT AND REAR FACE.
- WILL ACCEPT FOUR (4) MULTIMATE PIN CONTACTS.

SMALL PACK	NO	206061-3
STANDARD	YES	206061-2
STANDARD	NO	206061-1
PACKAGING	PERIPHERAL SEAL	PART NO

DO NOT SCALE PRINT. UNLESS SPECIFIED DIMENSIONS IN mm [INCHES] TOLERANCES ON : 2 PLC DEC ± 0.13 [.005] 3 PLC DEC ± - ANGLES ± -	DR 07/26/93 D.GELTZ	AMP Incorporated Harrisburg, PA 17105-3608	
	CHK 08/11/93 R.STONE		
MATERIAL NYLON, BLACK	APPD 08/13/93 A.FRANTUM	RECEPTACLE HOUSING, STANDARD SEX, SHELL SIZE 11, CPC	
FINISH -	APPD 08/13/93 A.FRANTUM	SIZE C	CAGE CODE 00779
	PRODUCT SPEC 108-10024	DRAWING NO C=206061	
	APPLICATION SPEC -	SCALE 2:1	SHEET 1 OF 1
	WEIGHT -		

THIS DRAWING IS A CONTROLLED DOCUMENT FOR AMP INCORPORATED. IT IS SUBJECT TO CHANGE AND THE CONTROLLING ENGINEERING ORGANIZATION SHOULD BE CONTACTED FOR THE LATEST REVISION.