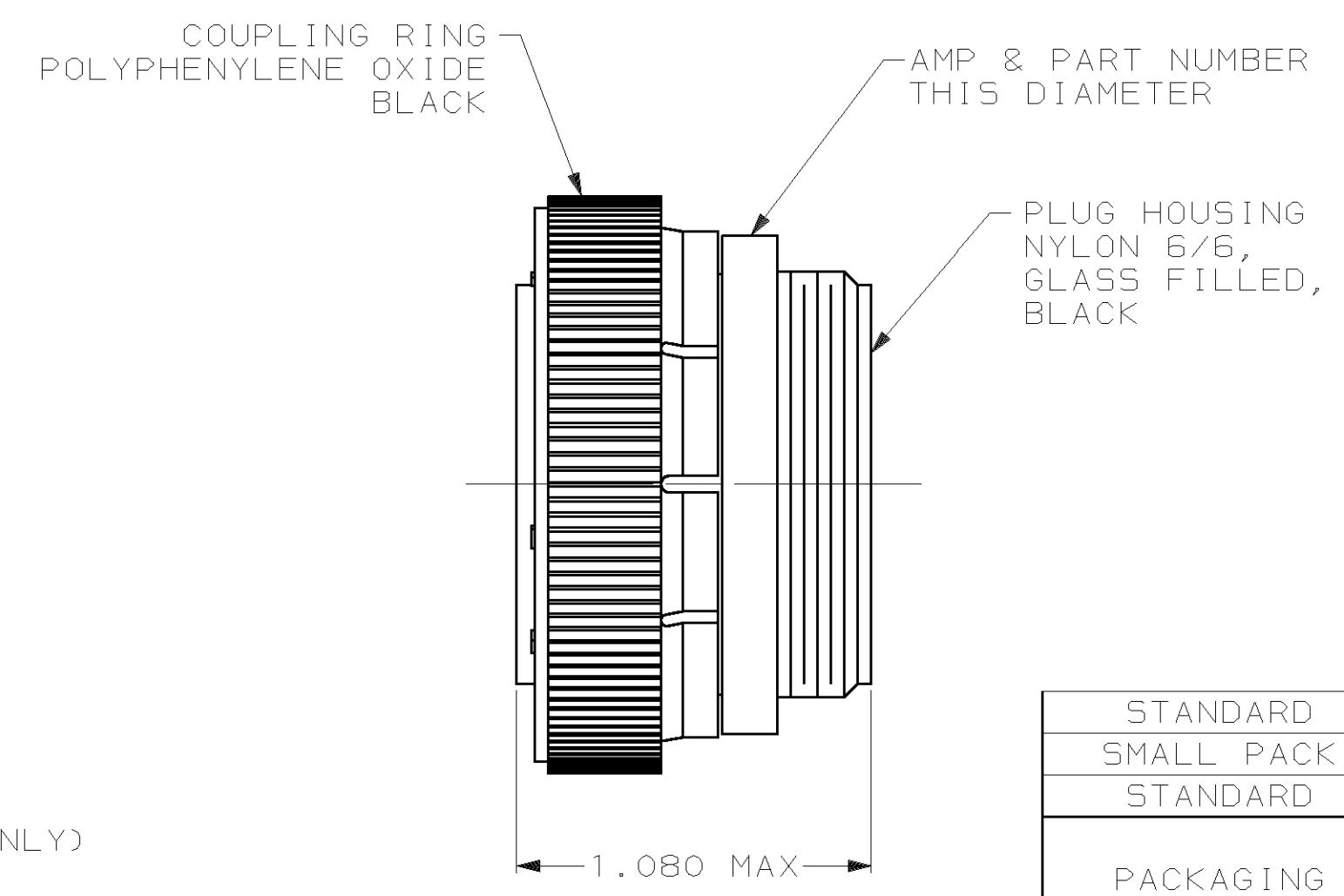
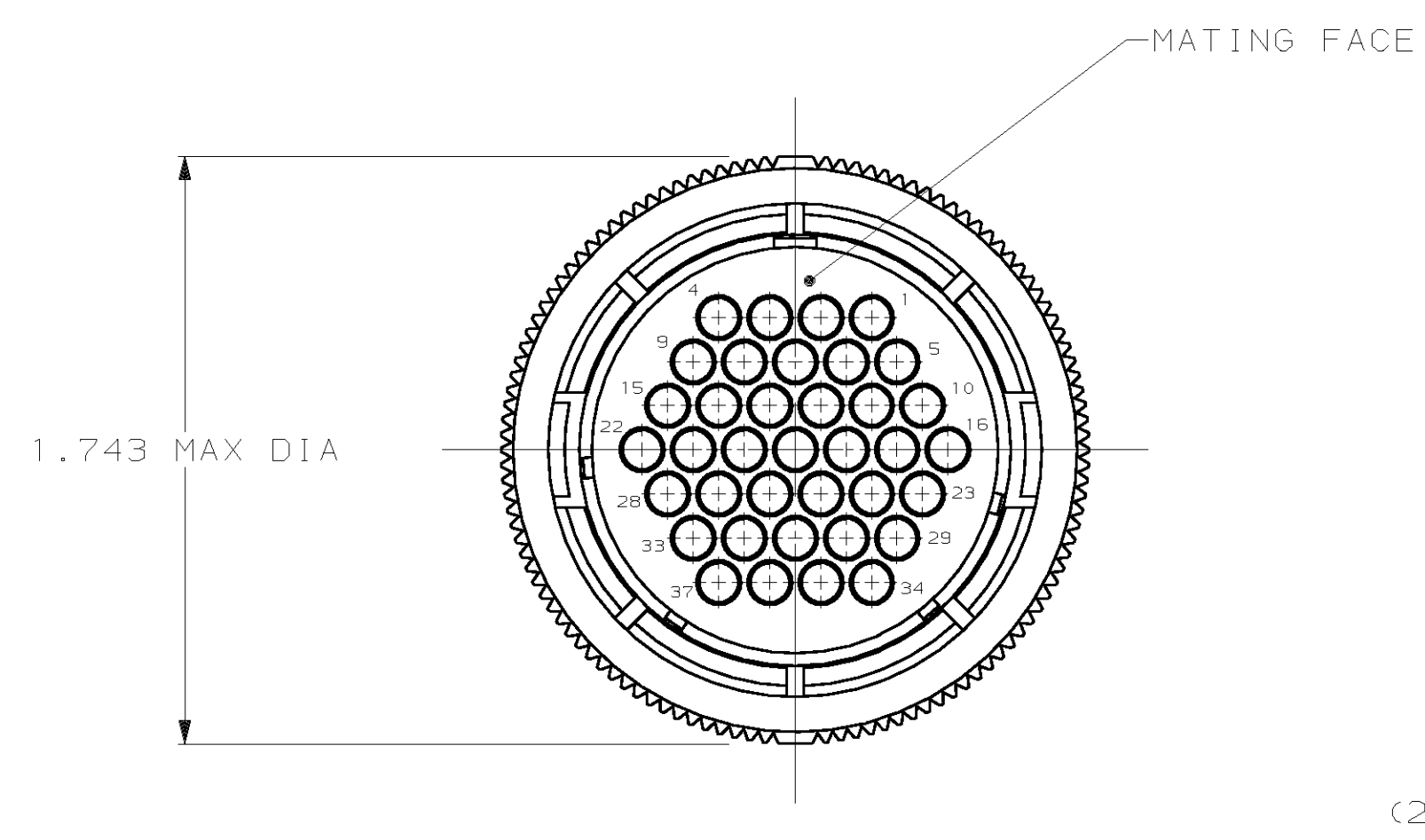
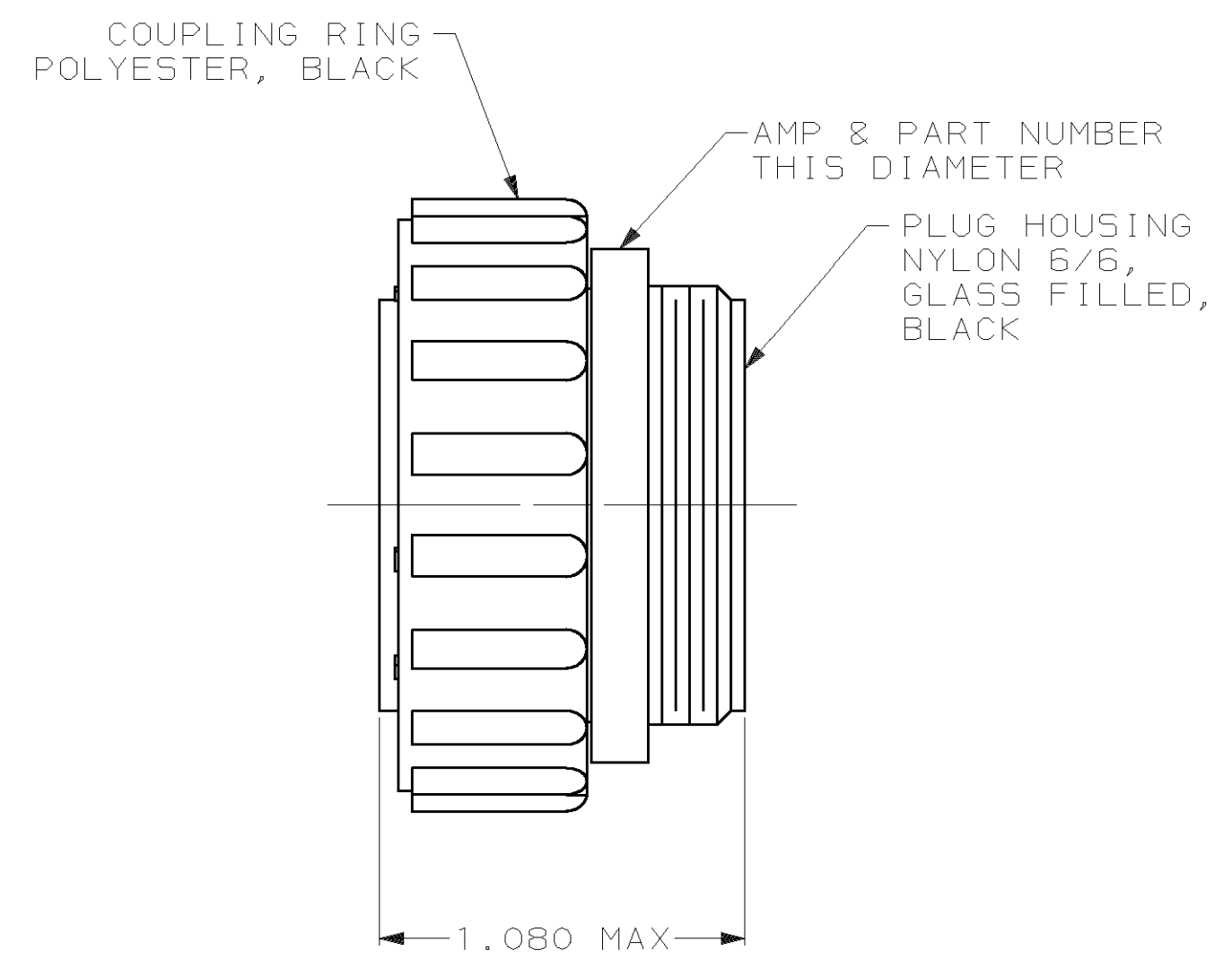
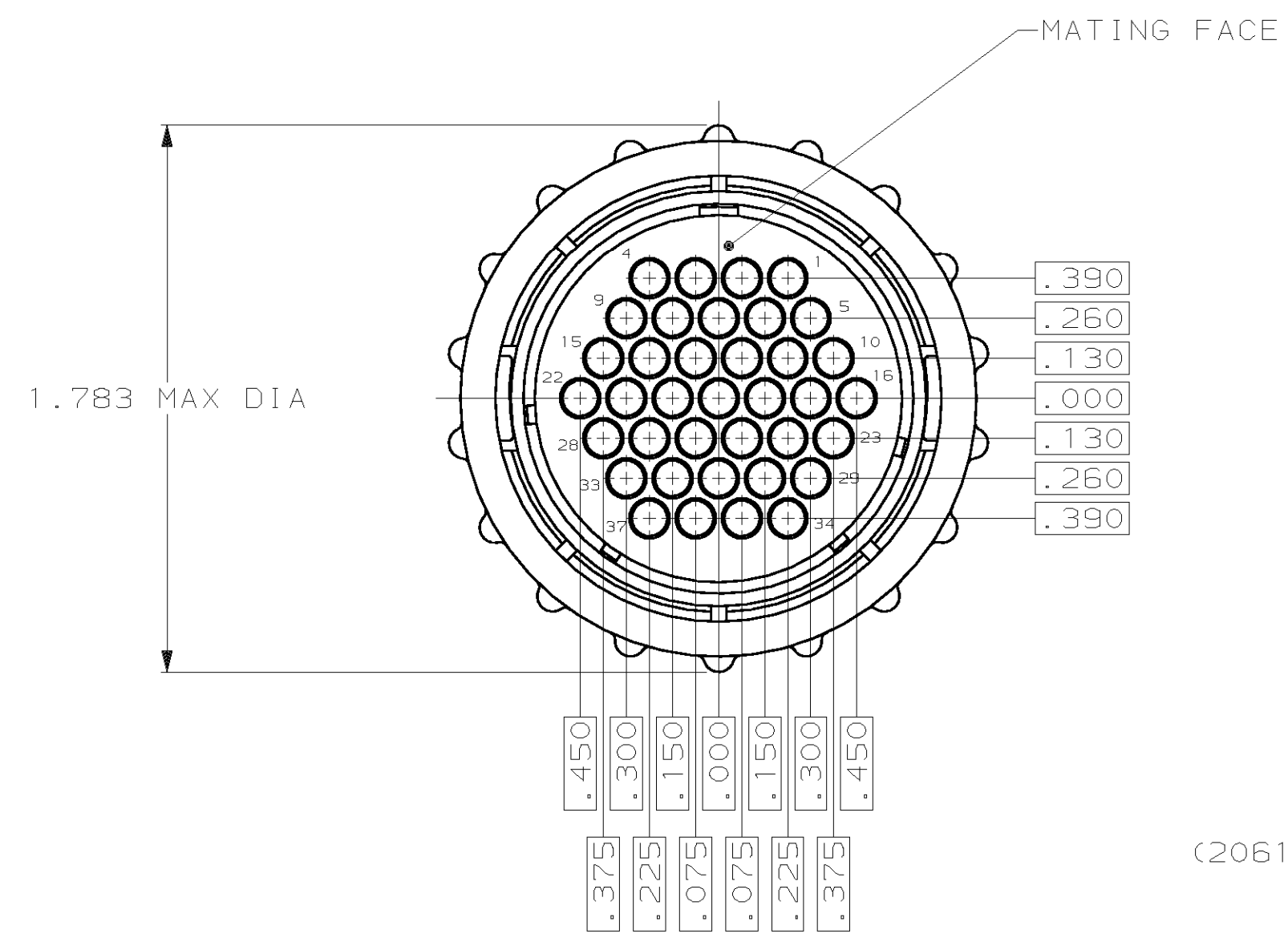


THIS DRAWING IS UNPUBLISHED. RELEASED FOR PUBLICATION
 © COPYRIGHT 19 BY AMP INCORPORATED. ALL INTERNATIONAL RIGHTS RESERVED.

LOC		DIST		P		F		ZONE		LTR		REVISIONS			
FT		0										DESCRIPTION	DATE	APPD	
												K	REVISE PER ECN 0G3B-0616-00	08DEC00	SU/MC



STANDARD	206150-3
SMALL PACK	206150-2
STANDARD	206150-1
PACKAGING	PART NUMBER

- CONTACT CAVITIES IDENTIFIED BY CHARACTERS ON FRONT AND REAR FACES OF CONNECTOR.
- THIS CONNECTOR WILL ACCEPT (37) MULTIMATE SOCKET CONTACTS.

DO NOT SCALE PRINT. UNLESS SPECIFIED DIMENSIONS IN INCHES TOLERANCES ON :		DR 8/2/90 5.RIDGLEY BG		AMP Incorporated Harrisburg, PA 17105-3608	
2 PLC DEC ± -		CHK 4-26-91 R.STONE			
3 PLC DEC ± -		APPD 4-30-91 K.BEAVER		NAME	
ANGLES ± -		APPD 5-2-91 J.FULPONI		PLUG ASSEMBLY, SHELL SIZE 23, STANDARD SEX, SERIES 1, CPC	
MATERIAL		PRODUCT SPEC		SIZE	
SEE CALLOUT		APPLICATION SPEC		CAGE CODE	
FINISH		WEIGHT		DRAWING NO	
-		-		206150	
		SCALE		SHEET	
		2:1		1 OF 1	