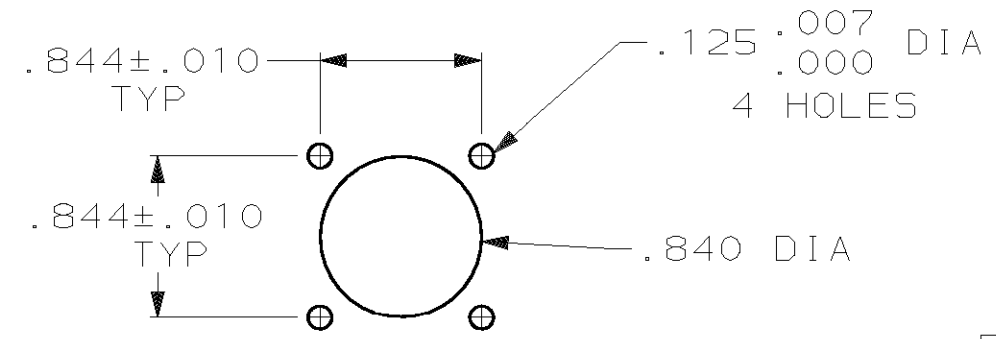
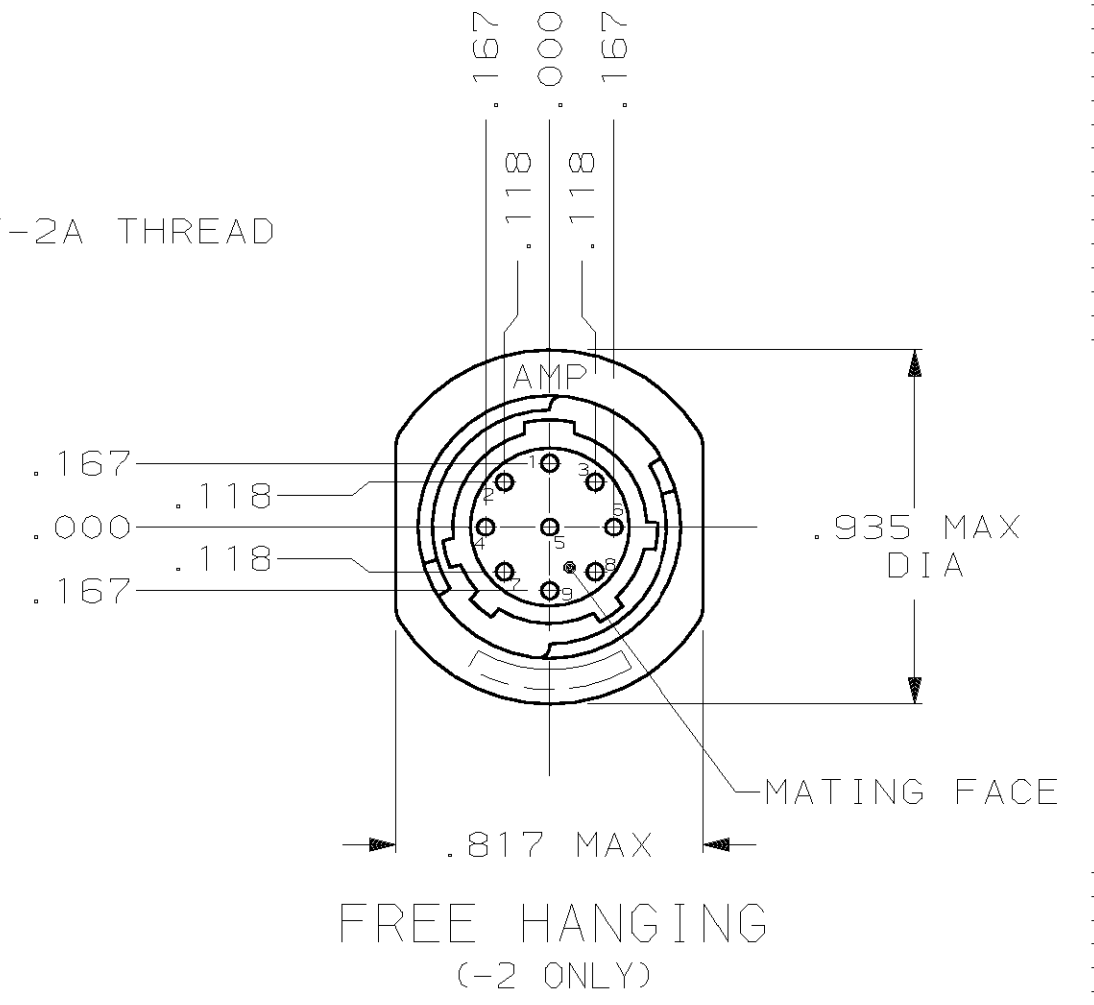
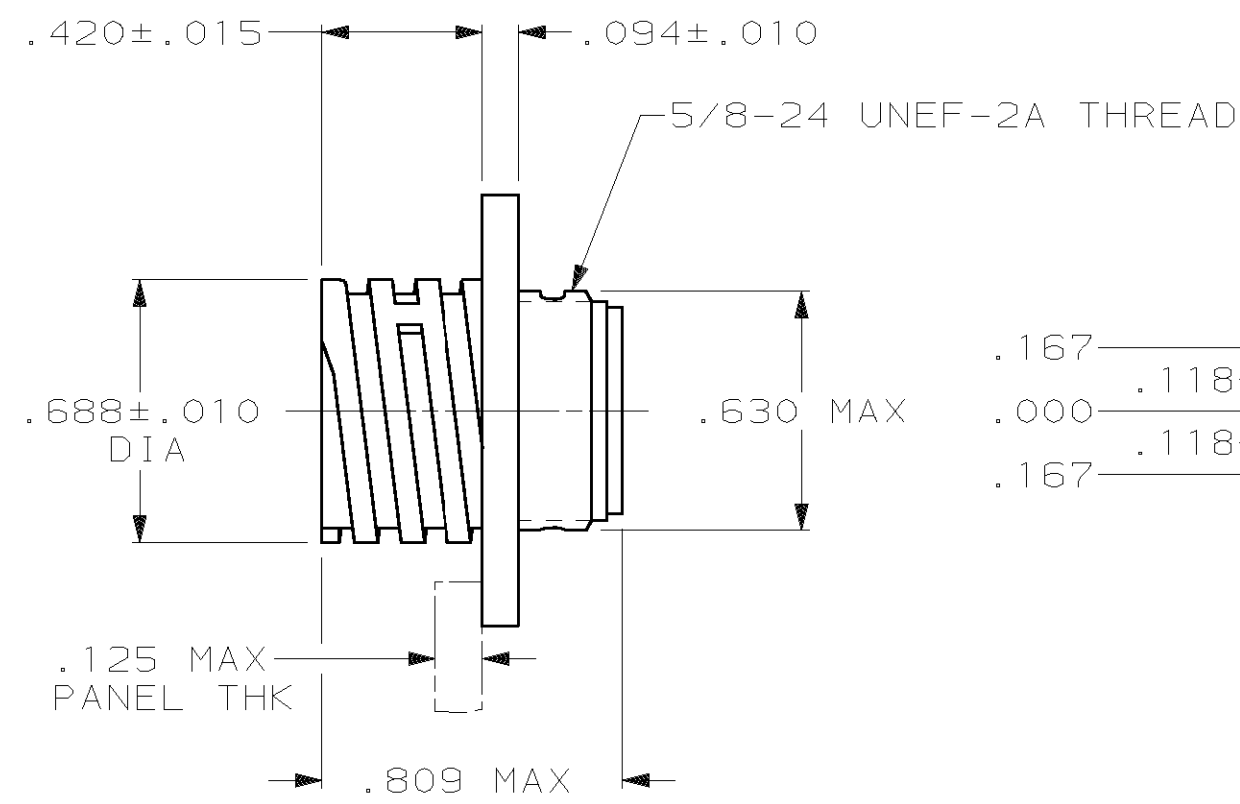
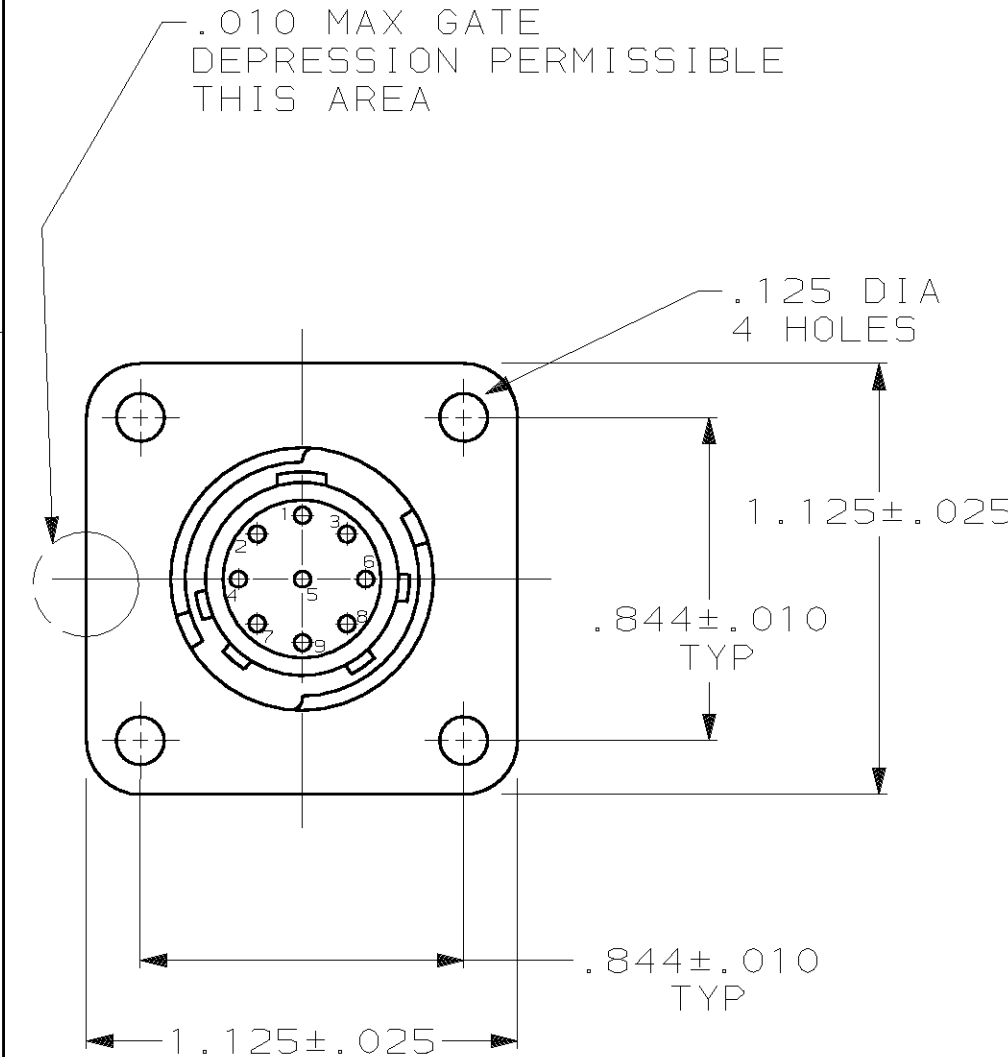


THIS DRAWING IS UNPUBLISHED. RELEASED FOR PUBLICATION ,19 .
 © COPYRIGHT 19 BY AMP INCORPORATED. ALL INTERNATIONAL RIGHTS RESERVED.

MOD	LOC	DIST	P	F
23	FT	0		

REVISIONS				DATE	APPD
ZONE	LTR	DESCRIPTION			
	K	REVISED PER EC 063B-0100-99	130CT99	LM	



PANEL CUTOUT
SCALE 1:1

- CONTACT CAVITIES IDENTIFIED BY CHARACTERS ON FRONT AND REAR FACES OF CONNECTOR.
- WILL ACCEPT (9) SIZE 20 PIN CONTACTS.

206486-2
206486-1
PART NUMBER

DO NOT SCALE PRINT. UNLESS SPECIFIED DIMENSIONS IN INCHES TOLERANCES ON: 2 PLC DEC ± - 3 PLC DEC ± .005 ANGLES ± -	DR 4/1/91 A.STAUB B6	AMP AMP Incorporated Harrisburg, PA 17105-3608		
	CHK 7-27-92 W.G.LENKER			
	MATERIAL THERMOPLASTIC, BLACK	APPD 7-27-92 K.BEAVER	NAME RECEPTACLE ASSEMBLY, STD SEX, SERIES 2, 11-9, CPC	
	FINISH -	APPD 7-27-92 C.ROHDE	PRODUCT SPEC 108-10024	
	APPLICATION SPEC -	SIZE B	CAGE CODE 00779	DRAWING NO 206486
	WEIGHT -	SCALE 2:1	SHEET 1 OF 1	