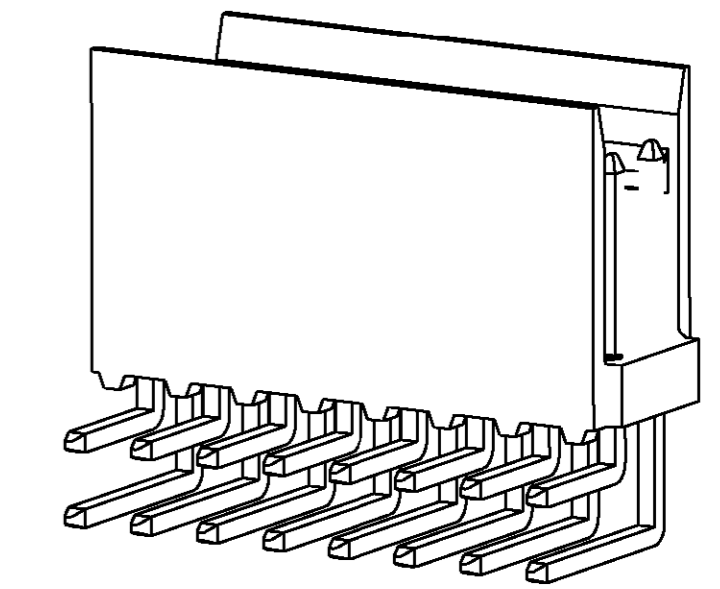
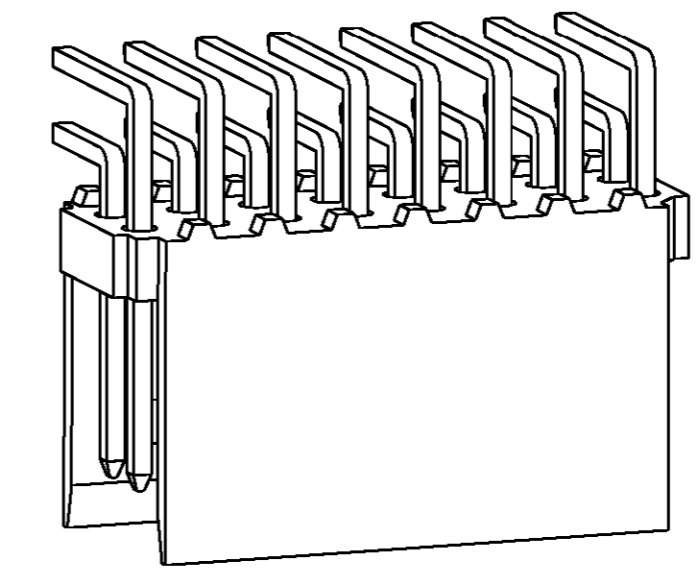
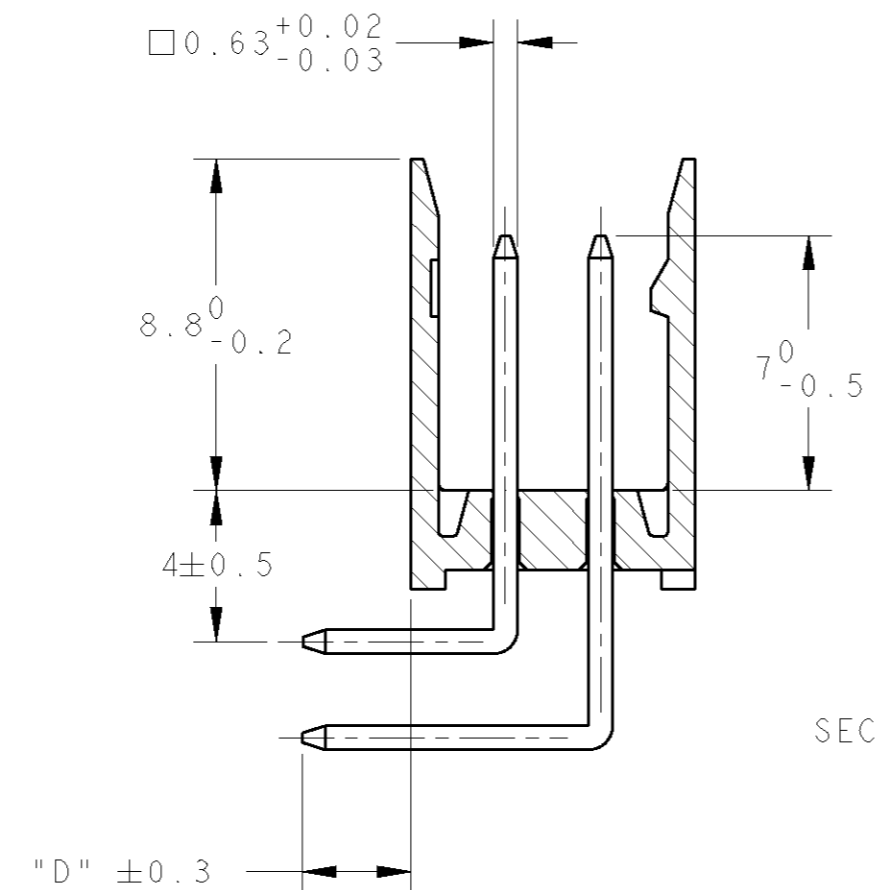
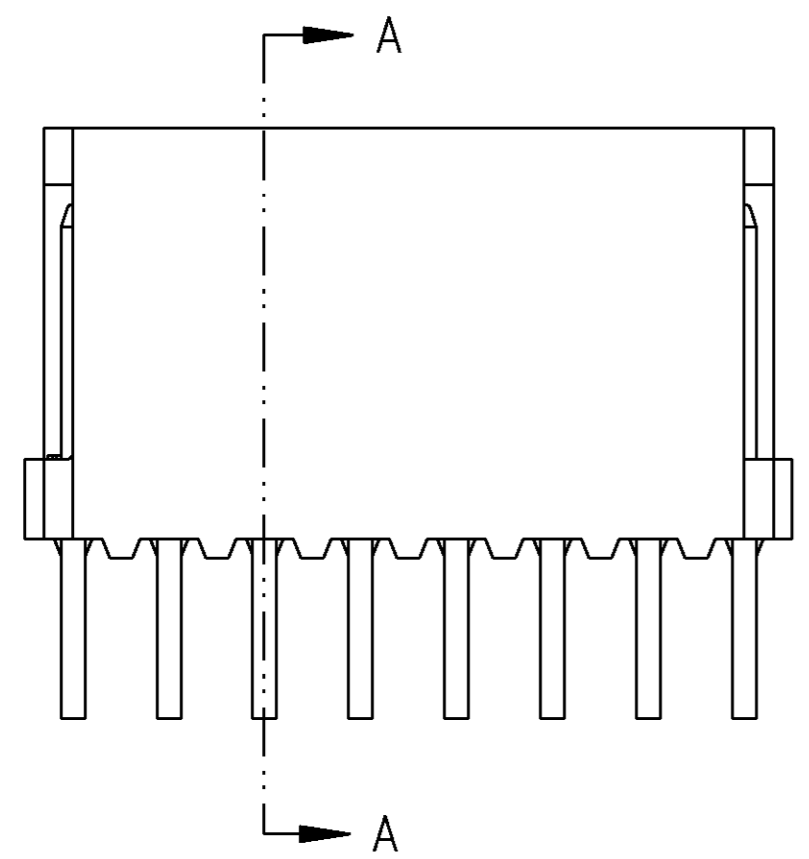


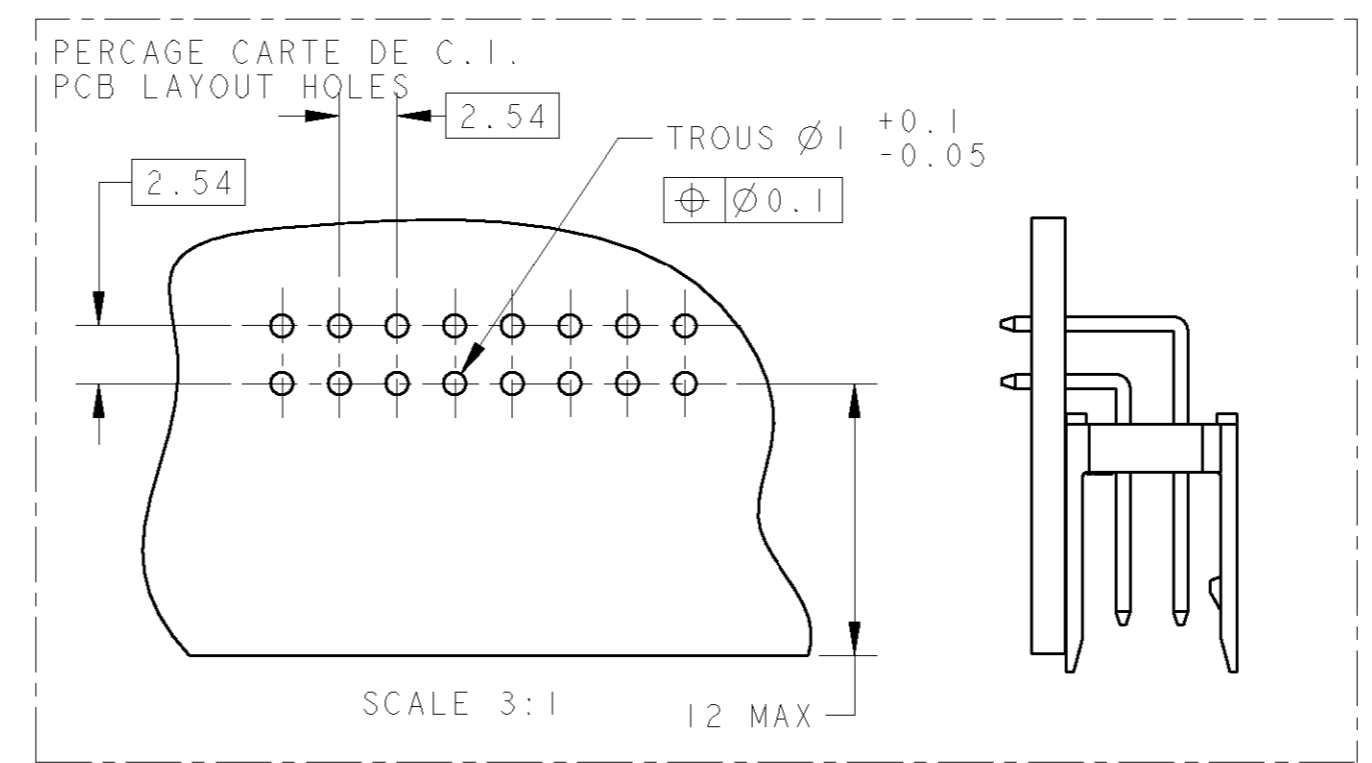
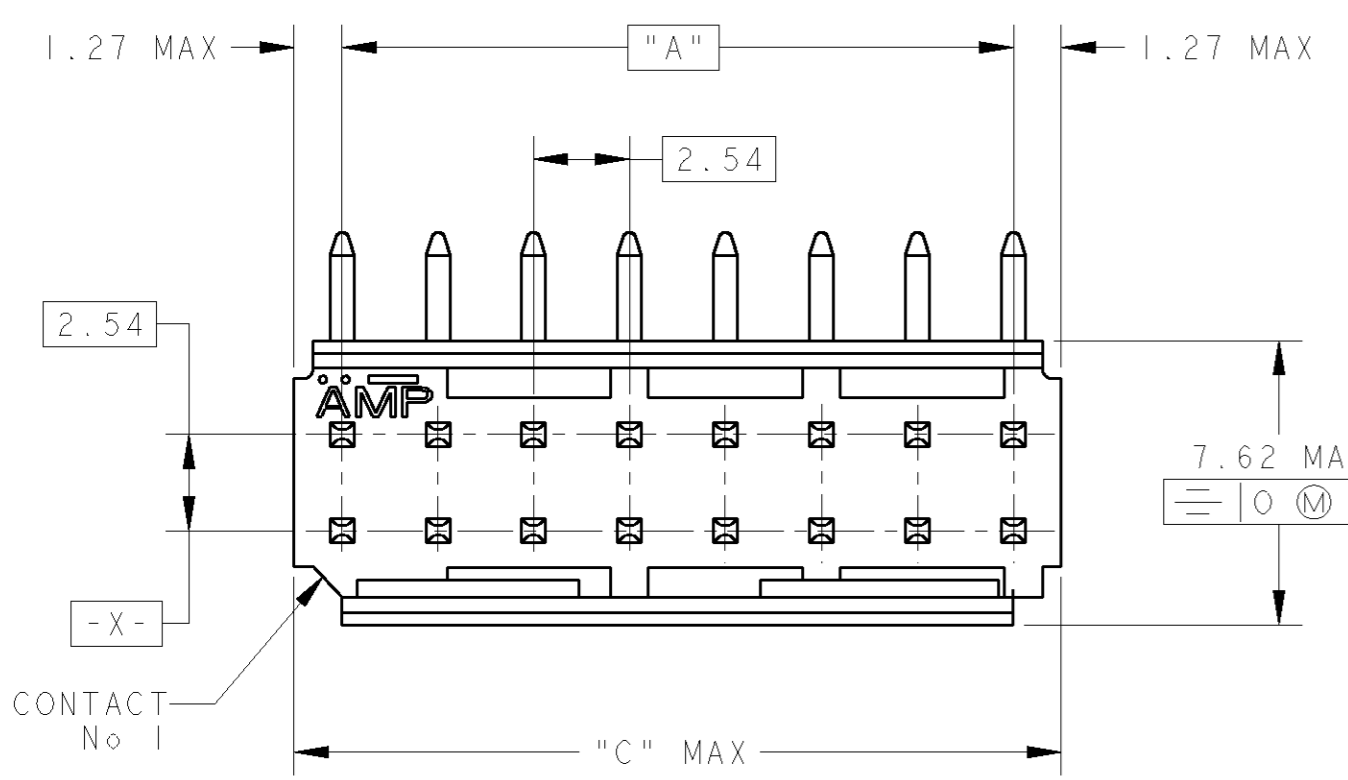
THIS DRAWING IS UNPUBLISHED. / RELEASED FOR PUBLICATION / 20  
 DIFFUSION RESTREINTE / LIBRE A LA DIFFUSION

© COPYRIGHT 20 BY TYCO ELECTRONICS CORPORATION. ALL RIGHTS RESERVED. / TOUS DROITS RESERVES

| LOC |   | DIST |     | REVISIONS                 |           |           |           |
|-----|---|------|-----|---------------------------|-----------|-----------|-----------|
| F   | 7 | P    | LTR | DESCRIPTION MODIFICATIONS | DATE      | DWN DESS. | APVD APP. |
|     |   | E    |     | CLARIFIE NOTE 3           | 12MAR2004 | J.D       | Y.P       |



SCALE 4:1



|            |       |           |               |
|------------|-------|-----------|---------------|
| 50.80      | 48.26 | 2x 20     | 2-281742-0    |
| 45.72      | 43.18 | 2x 18     | 1-281742-8 *  |
| 43.18      | 40.64 | 2x 17     | 1-281742-7    |
| 38.10      | 35.56 | 2x 15     | 1-281742-5 *  |
| 33.02      | 30.48 | 2x 13     | 1-281742-3    |
| 30.48      | 27.94 | 2x 12     | 1-281742-2 *  |
| 25.40      | 22.86 | 2x 10     | 1-281742-0 *  |
| 20.32      | 17.78 | 2x 8      | 0-281742-8 *  |
| 15.24      | 12.70 | 2x 6      | 0-281742-6 *  |
| 12.70      | 10.16 | 2x 5      | 0-281742-5 *  |
| 10.16      | 7.62  | 2x 4      | 0-281742-4 *  |
| 7.62       | 5.08  | 2x 3      | 0-281742-3 *  |
| 5.08       | 2.54  | 2x 2      | 0-281742-2    |
| C          | A     | Nb DE POS | PART NUMBER   |
| DIMENSIONS |       |           | DIM "D" = 2.9 |

NOTES:

- CES EMBASES SONT PREVUES POUR ETRE ACCOUPLEES AVEC LES FICHES "HE1402" DOUBLE RANGEE. (These headers are designed to be mated with "HE1402" connectors double row)
- LES REFERENCES SUIVIES D'UN \* SONT LES VERSIONS NORMALISEES SELON LA NORME CEI 603-8 (The parts numbers followed by \* are covered by the international standard IEC 603-8)
- RETEVEMENT DES CONTACTS: ETAIN PUR SUR NICKEL (Contacts plating: lead free tin over nickel)
- MATIERE PLASTIQUE: PBT CHARGE VERRE, UL-94V0 (Plastic material: glassfilled PBT, UL-94V0)  
 MATIERE DES CONTACTS: BRONZE PHOSPHOREUX (Contacts material: phosphor bronze)

|  |   |   |  |
|--|---|---|--|
| THIS DRAWING IS A CONTROLLED DOCUMENT FOR TYCO ELECTRONICS CORPORATION<br>IT IS SUBJECT TO CHANGE AND THE CONTROLLING ENGINEERING ORGANIZATION<br>SHOULD BE CONTACTED FOR THE LATEST REVISION.<br>CE PLAN EST UN DOCUMENT CONTRÔLÉ PAR AMP INCORPORATED.<br>IL EST SUSCEPTIBLE D'ÊTRE REVISÉ. CONTACTER LE SERVICE<br>TECHNIQUE D'AMP DE FRANCE POUR OBTENIR LA DERNIÈRE RÉVISION. |   | DWN/DESSINE: 22NOV2000<br>C. COMBEDOUZON<br>CHK/VERIFIE: 22NOV2000<br>I. CORRIOLU<br>APVD/APROUVE: 22NOV2000<br>Y. PETRONIN                   | AMP DE FRANCE<br>95301 PONTOISE        |
| DIMENSIONS: mm<br>TOLERANCES UNLESS OTHERWISE SPECIFIED: (SUIV NB DE DECIMALES)<br>0 PLC/DEC: ±<br>1 PLC/DEC: ±0.3<br>2 PLC/DEC: ±<br>3 PLC/DEC: ±<br>4 PLC/DEC: ±<br>ANGLES: ±°<br>FINISH/FINITION  | PRODUCT SPEC: 108-15053<br>SPEC. APPLICATION: -<br>WEIGHT/MASSE APPROX.: -<br>CUSTOMER DRAWING /PLAN CLIENT | NAME/TITRE: HEADERS HE1402 DOUBLE ROW, 90°<br>SIZE/FORMAT: A2<br>CAGE CODE: 00779<br>DRAWING NO/No PLAN: 281742<br>RESTRICTED TO RESERVE A: - | SHEET/FEUILLE: 5<br>OF/DE: 5<br>REV: E |