

UNITED KINGDOM 3-PIN PLUG-IN POWER SUPPLY 9VDC 18WATT



STONTRONICS: T6353ST

Features:

- United Kingdom Fixed AC Head
- 1 Year Warranty
- Level VI Efficiency
- CE Approved



Description:

The Stontronics Range of Class II 18 Watt AC/DC United Kingdom plug-in power supplies provide 18 Watts of continuous power in a compact fixed wall plug enclosure suitable for use in many general power applications.

Specification	
Part Number	T6353ST
Input Voltage Range	90-264Vac
Input Frequency Range	47-63Hz
Input Current Rated	0.6A Max
Output Voltage Rating	+9V
Output Current Range	2A
Output Min Current	0A
Output Connection Type	2.5x5.5x12mm Centre Positive – Straight
Total Output Regulation	+/- 5%
Line and Load Regulation	+/- 2%
Ripple & Noise	200mVp-p
Efficiency	85.45% Min
Over Voltage Protection	18VDC Maximum
Over Current Protection	4A max with auto-recovery function
Short-Circuit Protection	The adapter shall not be damaged by short the DC output to Ground.
Operating Temperature	0°C to +40°C
Storage Temperature	-20°C to +60°C
Operating Humidity	20% to 85%
Storage Humidity	5% to 95%
Hi-Pot	3000Vac 10mA 1min
Leakage Current	0.25mA max
Safety Standard	T-LICENSE(BS EN60950-1)
EMI Standard	CE(EN55032)
MTBF	50K Hours
Size mm max.	74.5(L) x 50.9(W) x 77.7(H)
Weight	139g ±15%
Regulator Type	Switched Mode Power Supply

STONTRONICS

TT Electronics IoT Solutions Ltd

Tofts Farm East, Brenda Road, Hartlepool, TS25 2BQ, UK

t: +44 (0) 1429 852 500

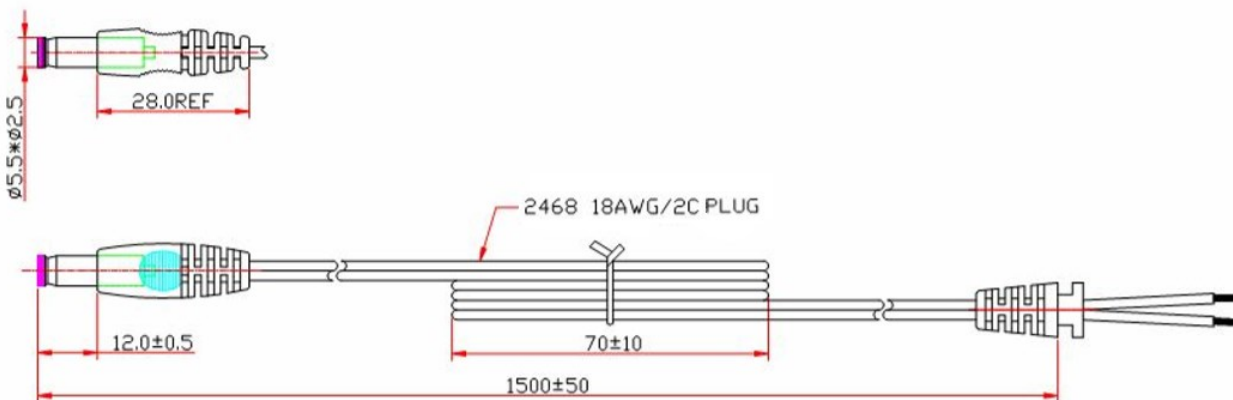
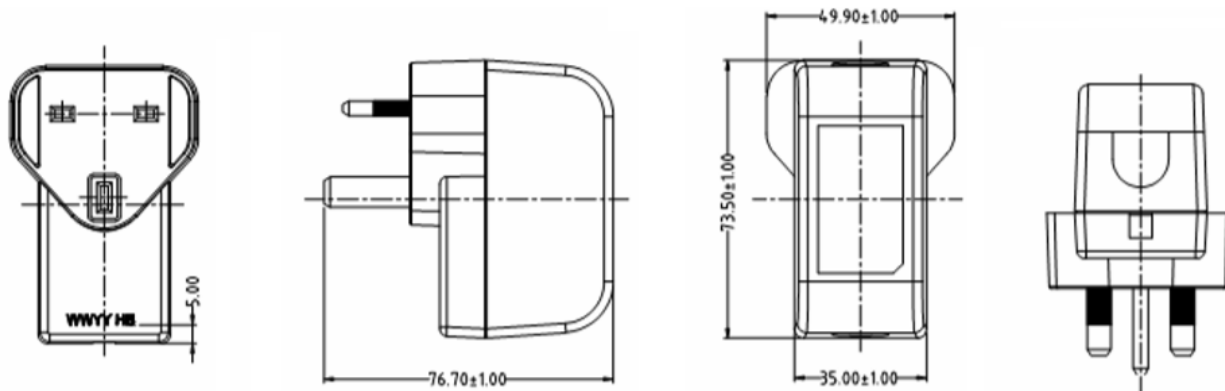
General Note

TT Electronics reserves the right to make changes in product specification without notice or liability. All information is subject to TT Electronics' own data and is considered accurate at time of going to print.

UNITED KINGDOM 3-PIN PLUG-IN POWER SUPPLY 9VDC 18WATT STONTRONICS: T6353ST



Diagrams



General Note
TT Electronics reserves the right to make changes in product specification without notice or liability. All information is subject to TT Electronics' own data and is considered accurate at time of going to print.