

USB 4.0 Type-C Receptacle multicomp^{PRO}

Specifications

Material:

Insulator	: Thermoplastic, rated UL 94V-0
Insulator colour	: Black
Contacts	: Copper Alloy
Shell	: Stainless Steel, Nickel plated
Mid Plate	: Stainless Steel, Nickel plated
EMI Shell	: Stainless Steel
Plating	: 30u" Gold over Nickel underplate on contact area Gold Flash over Nickel underplate on solder tails

**RoHS
Compliant**

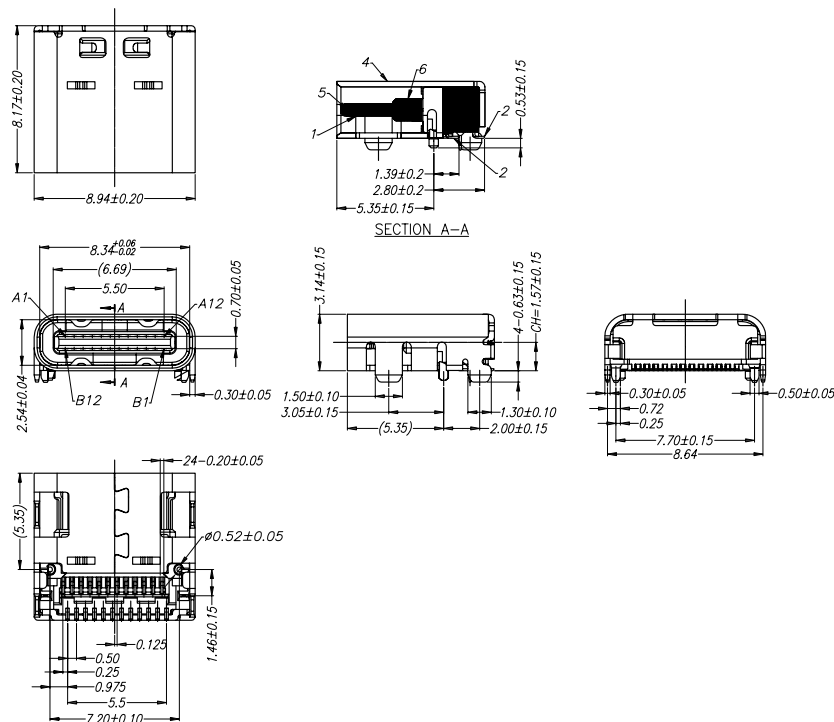
Electrical:

Voltage Rating	: 30V AC max.
Insulation resistance	: 100MΩ min
Current rating	: 5A max for VBUS and GND 0.9A max for all the pin
Insulation Resistance	: 100MΩ min.
Dielectric withstanding voltage	: 100V AC for 1 minute
LLCR	: VBUS & GND Pins and other Pins : 40mΩ/Pin max. Shell : 50mΩ/ax LLCR max. Change of all Pins : 10mΩ

Mechanical:

Insertion	: 5 to 20N
Extraction	: 8 to 20N
Mating cycles	: 10,000 insertions
Temperature Rating	: -25°C to +85°C

Diagram



Dimensions : Millimetres

Newark.com/multicomp-pro
Farnell.com/multicomp-pro
sg.element14.com/b/multicomp-pro

multicomp^{PRO}

