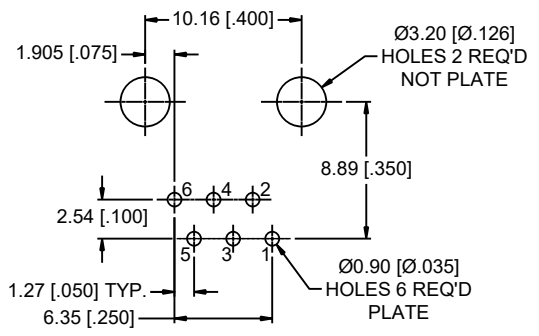
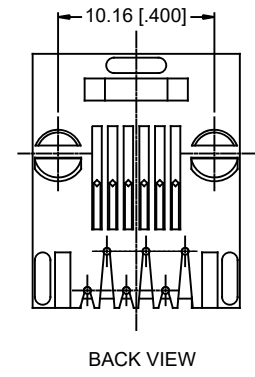
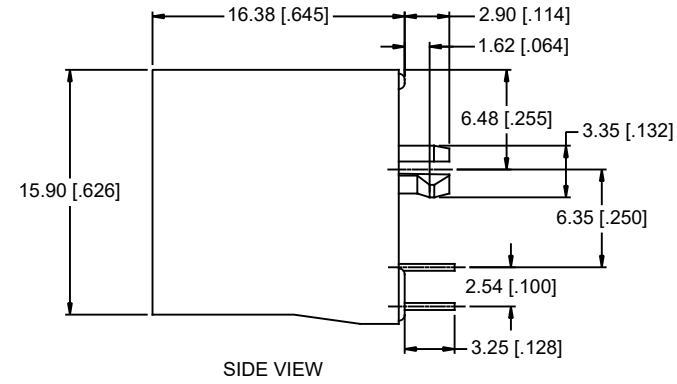
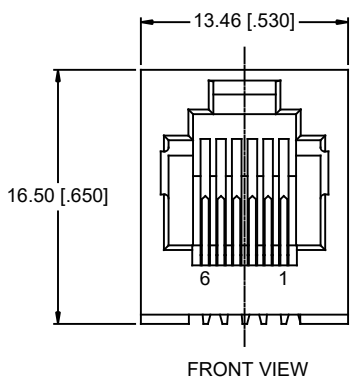


| REVISIONS |                           |          |        |
|-----------|---------------------------|----------|--------|
| REV       | DESCRIPTION, ECN, EAR NO. | DATE     | APP'D  |
| A         | NEW PROPOSAL              | JUL19/22 | KELVIN |
|           |                           |          |        |



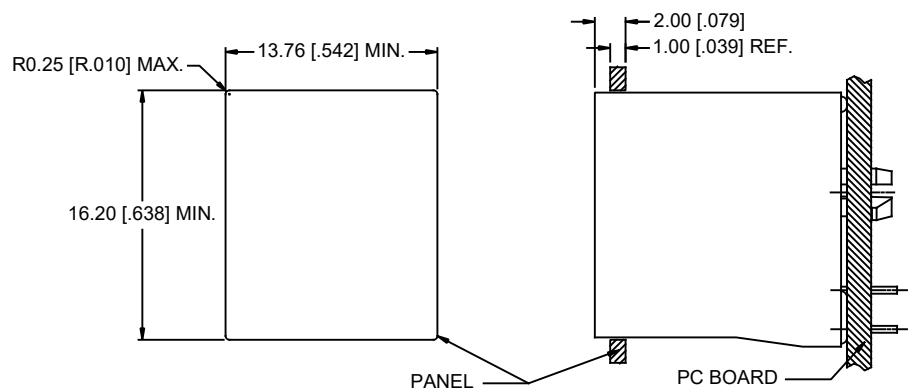
RECOMMENDED P.C.B LAYOUT  
 (TOLERANCE: ±0.05[±.002])  
 (PCB THICKNESS: 1.57 [0.062])  
 (COMPONENT SIDE OF PC BOARD)



**NOTES:**

- MATERIALS:**  
 CONTACTS: PHOSPHOR BRONZE, 0.46MM DIAMETER,  
 PLATING: 6µ "[0.152 MICRONS] MIN. GOLD PLATING  
 50µ "[1.27 MICRONS] MIN. NICKEL OVERALL.  
 HOUSING: ENGINEERING THERMOPLASTIC, FLAMMABILITY RATING UL 94V-0  
 COLOR - BLACK.
- MECHANICAL:**  
 MATING FORCE: 5.0 LBS MAXIMUM
- ELECTRICAL:**  
 CONTACT RESISTANCE: 20 MILLIOHMS MAXIMUM  
 INSULATION RESISTANCE: 500 MEGOHMS MINIMUM  
 CURRENT RATING: 1.5 AMPS  
 VOLTAGE RATING: 125 VOLTS AC
- ENVIRONMENTAL:**  
 STORAGE TEMPERATURE: -40°C TO +85°C
- RECOMMENDED SOLDERING TEMPERATURE:**  
 WAVE SOLDERING PEAKED AT 260°C FOR 5 TO 8 SECONDS.

AMPHENOL PART NUMBER: RJE08-166-011F



RECOMMENDED PANEL CUTOUT

THIS DOCUMENT CONTAINS PROPRIETARY INFORMATION AND SUCH INFORMATION MAY NOT BE DISCLOSED TO OTHERS FOR ANY PURPOSE OR USED FOR MANUFACTURING PURPOSES WITHOUT WRITTEN PERMISSION FROM AMPHENOL CANADA CORP.

|                            |                        |          |                      |
|----------------------------|------------------------|----------|----------------------|
| UNLESS SPECIFIED OTHERWISE | DRAWN                  | RONNIE.C | JUL19/22             |
| PRIMARY UNITS MILLIMETERS  | CHECKED                | KELVIN.T | JUL19/22             |
| SECONDARY INCHES           | M.E. APP'D             |          |                      |
| REFERENCE IN PARENTHESES   | Q.A. APP'D             |          |                      |
| GENERAL TOLERANCES         | DWG APP'D              |          |                      |
| 1 DECIMAL PLACE ±0.30      | ENG. REL. NO.          |          |                      |
| 2 DECIMAL PLACES ±0.20     | REF.                   |          |                      |
| 3 DECIMAL PLACES ±0.13     |                        |          |                      |
| ANGULAR DEGREES ±2.0°      |                        |          |                      |
|                            | THIRD ANGLE PROJECTION |          | DO NOT SCALE DRAWING |

|  |                                   |
|--|-----------------------------------|
| Amphenol Canada Corp.<br>Commercial Products   |                                   |
| SINGLE PORT, VERTICAL MODULAR JACK,<br>6 POSITION, 6 CONTACTS,<br>UNSHIELD -RoHS COMPLIANT |                                   |
| DWG NO.<br>P-RJE08-166-011F  | REV<br>A                          |
| CODE ID NO. 03554  | DWG SIZE X SCALE N/A SHEET 1 OF 1 |