

Woofers

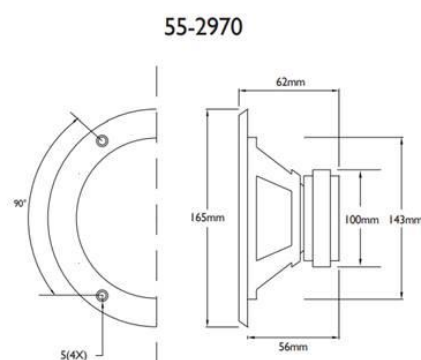


Description

Low cost general replacement woofer is ideal in a two way cabinets or as a compact sub woofer. It is perfect for a wide variety of home or auto sound applications and is ideal for either ported or sealed enclosures.

Specifications

Driver Type	: Woofer
Impedance	: 8Ω
Operating Bandwidth	: 60Hz to 8kHz
Power Rating Nom	: 50W RMS
Sound Level SPL	: 88dB
Voice Coil Diameter	: 1 inch
Total Q Factor Qts	: 0.424
Equivalent Gas air load Vas	: 26.93 liters
Coil Inductance Le	: 0.3875 mH
Resonance Frequency Fs	: 40 Hz
DC Resistance Re	: 7.2Ω
Mechanical Q Factor Qms	: 3.66
Electrical Q Factor Qes	: 0.4796
Magnet Type	: 16.6 OZ
Speaker Shape	: Round
Resonant Frequency	: 40Hz
Speaker Mounting	: Panel Mount
External Depth	: 76mm (2.992")
External Diameter	: 166mm (6.535")



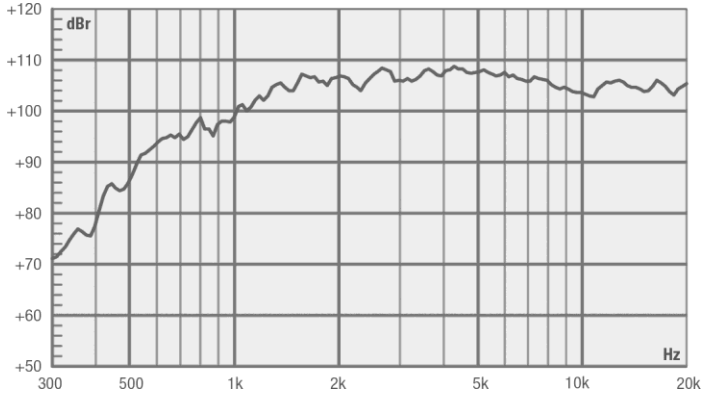
Materials of Construction

Former Material	: Polyamide
Voice Coil Material	: Aluminium
Diaphragm Material	: Titanium
Surround / Edge Termination	: Double Sinusoidal Roll Titanium
Magnet Material	: Ferrite
Connectors	: Push Button Spring Terminals
Polarity	: Positive voltage at red/positive terminal causes positive pressure at throat exit

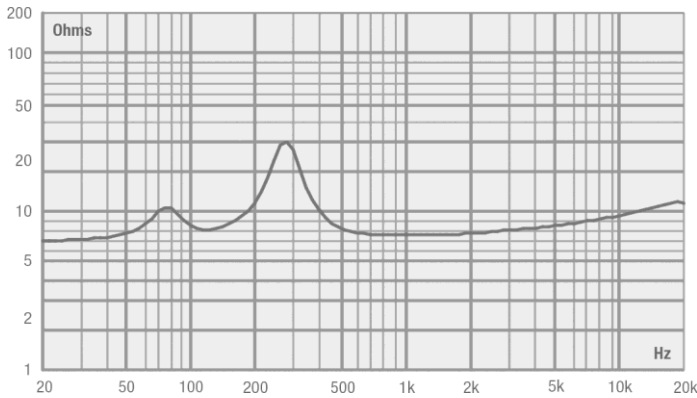
Woofers



Frequency Response Data*



Impedance



Part Number Table

Description	Part Number
Woofers with Polypropylene Cone and Rubber Surround, 6-1/2", 50W RMS at 8Ω	55-2970

Important Notice : This data sheet and its contents (the "Information") belong to the members of the AVNET group of companies (the "Group") or are licensed to it. No licence is granted for the use of it other than for information purposes in connection with the products to which it relates. No licence of any intellectual property rights is granted. The Information is subject to change without notice and replaces all data sheets previously supplied. The Information supplied is believed to be accurate but the Group assumes no responsibility for its accuracy or completeness, any error in or omission from it or for any use made of it. Users of this data sheet should check for themselves the Information and the suitability of the products for their purpose and not make any assumptions based on information included or omitted. Liability for loss or damage resulting from any reliance on the Information or use of it (including liability resulting from negligence or where the Group was aware of the possibility of such loss or damage arising) is excluded. This will not operate to limit or restrict the Group's liability for death or personal injury resulting from its negligence. MCM is the registered trademark of Premier Farnell Limited 2019.

Newark.com/exclusive-brands
 Farnell.com/exclusive-brands
 Element14.com/exclusive-brands

