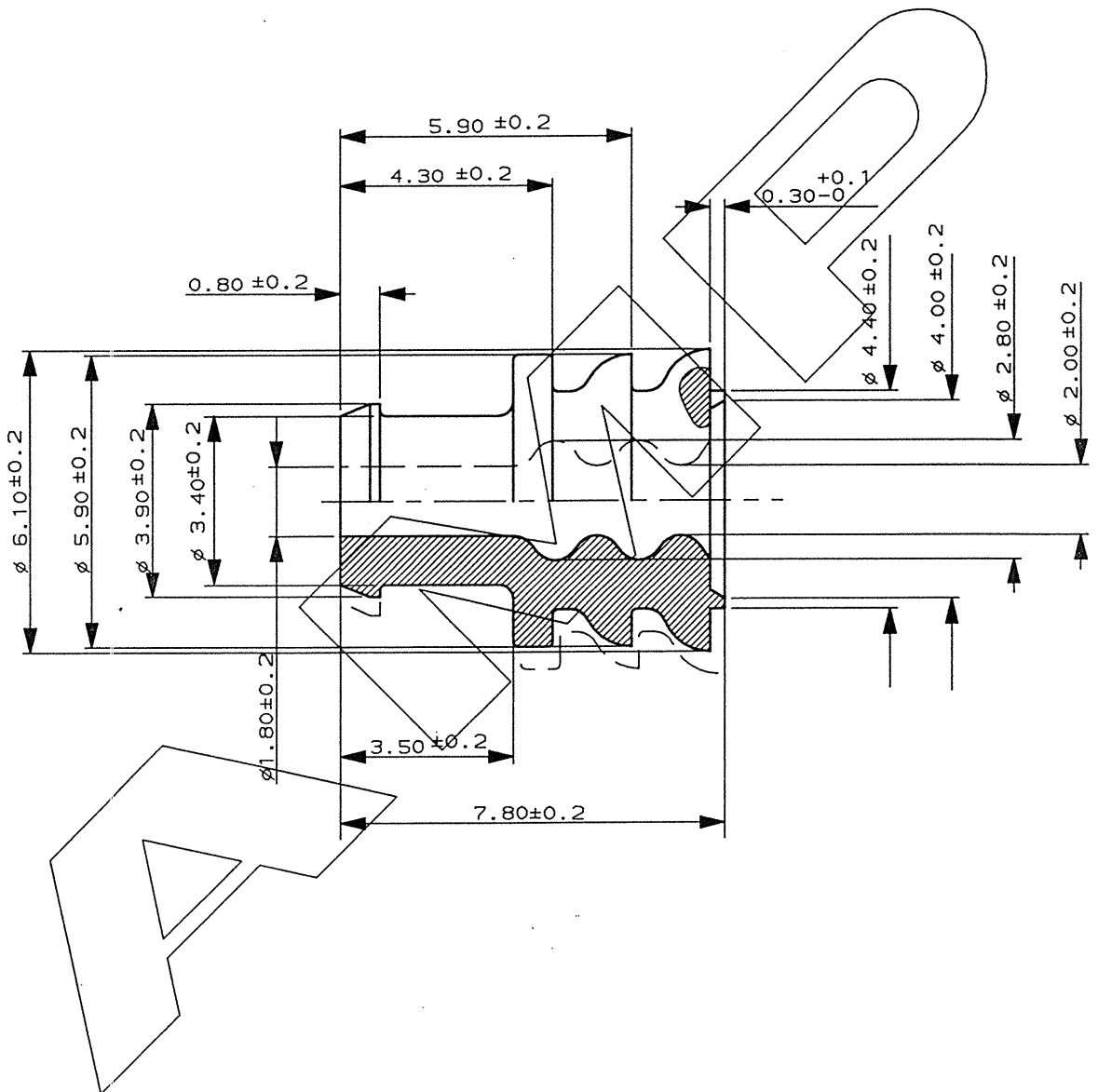


SCALA NON IMPEGNATIVA  
(DO NOT SCALE)  
DIMENSIONI IN mm  
(DIMENSIONS IN mm)

METRIC

PROIEZIONE EUROPEA  
(EUROPEAN PROJECTION)



ROSSO-RED	GOMMA AL SILICONE SILICON RUBBER	281934-3
FINITURA / COLORE (FINISH / COLOUR)	MATERIALE (MATERIAL)	NUMERO (PART NUMBER)

CUSTOMER DWG. FOR REFERENCE ONLY      DISEGNO PER CLIENTE SOLO PER RIFERIMENTO

THIS DRAWING IS UNPUBLISHED      RELEASE FOR PUBLICATION      19

© COPYRIGHT 1987 BY AMP INCORPORATED, HARRISBURG, PA. ALL INTERNATIONAL RIGHT RESERVED. AMP PRODUCTS MAY BE COVERED BY U.S. AND FOREIGN PATENT AND/OR PATENT PENDING

TOLLERANZE: SE NON DIVERSAMENTE SPECIFICATO (TOLERANCES: UNLESS OTHERWISE SPECIFIED)	DIAM. ISOLANTE (INS. DIA. RANGE) mm 2.6-3.3 DIA.	RANGO FILO (WIRE RANGE)	SCALA (SCALE) -
---	---	-------------------------	--------------------

ANGOLI (ANGLES) ± 0.3 ± 2°

**AMP** AMP ITALIA S.p.A.  
Corso F. LLI Cervi, 15  
COLLEGNO (TORINO)

C1 UPDATED ET00-0193-98 RR	DIS. C. BERTINI (DR.)	DESCRIZIONE (DESCRIPTION) WIRE SEAL
C UPDATED	C.B. 10 92	
B INS. DIA 2.6 WAS 2.8	A.B. 15-5 92	
A UPDATED	A.B. 21 91	

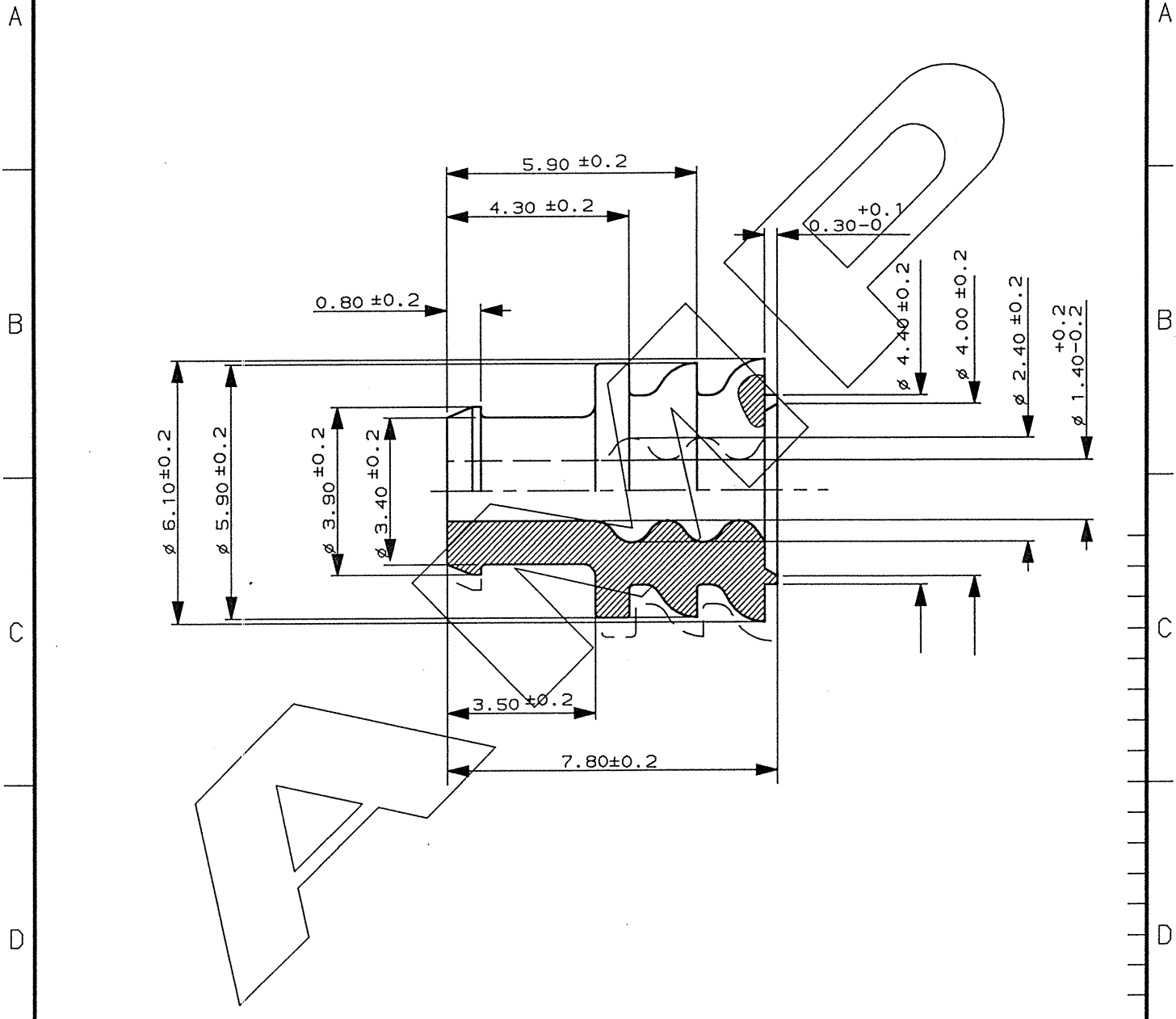
REV. (REV.)	REVISIONI (REVISION RECORD)	DIS. DATA (DR) (DATE)	LOC. SIZE (DWG NO)	NUMERO (C-281934)	REV. (C1)	FOGLIO (SHEET) (DI OF) 1 3
-------------	-----------------------------	-----------------------	--------------------	-------------------	-----------	----------------------------

DISTRIBUZIONE (PRINT DIST.)

SCALA NON IMPEGNATIVA  
(DO NOT SCALE)  
DIMENSIONI IN mm  
(DIMENSIONS IN)

METRIC

PROIEZIONE EUROPEA  
(EUROPEAN PROJECTION)



GIALLO-YELLOW	GOMMA AL SILICONE SILICON RUBBER	281934-2
FINITURA / COLORE (FINISH / COLOUR)	MATERIALE (MATERIAL)	NUMERO (PART NUMBER)

CUSTOMER DWG. FOR REFERENCE ONLY      DISEGNO PER CLIENTE SOLO PER RIFERIMENTO

THIS DRAWING IS UNPUBLISHED      RELEASE FOR PUBLICATION      19

© COPYRIGHT 1987 BY AMP INCORPORATED, HARRISBURG, PA. ALL INTERNATIONAL RIGHTS RESERVED. AMP PRODUCTS MAY BE COVERED BY U.S. AND FOREIGN PATENT AND/OR PATENT PENDING

TOLLERANZE, SE NON DIVERSAMENTE SPECIFICATO (TOLERANCES, UNLESS OTHERWISE SPECIFIED)	DIAM. ISOLANTE (INS. DIA. RANGE) mm 1.8-2.4 DIA.	RANGO FILO (WIRE RANGE)	SCALA (SCALE) -
---	---	-------------------------	--------------------

± 0.3  
ANGOLI (ANGLES) ± 2°

**AMP** AMP ITALIA S.p.A.  
Corso F.lli Cervi, 15  
COLLEGGNO (TORINO)

C1	UPDATED ET00-0193-98	CR	03/01/92	DIS. C. BERTINI
C	UPDATED	C.B.	10/92	(DR.) 10-83
B	UPDATED INT. DIA.	A.B.	15-82	CONT. (CHK)
A	UPDATED INT. DIA.	A.B.	NOV. 91	APP. (APP.)
REV.	REVISIONI (REVISION RECORD)	DIS. (DR)	DATA (DATE)	

DESCRIZIONE (DESCRIPTION)	WIRE SEAL
LOC. (LOC.)	I A4
SIZE (SIZE)	A4
NUMERO (DWG NO)	C-281934
REV.	C1
FOGLIO (SHEET)	2
DI (OF)	3

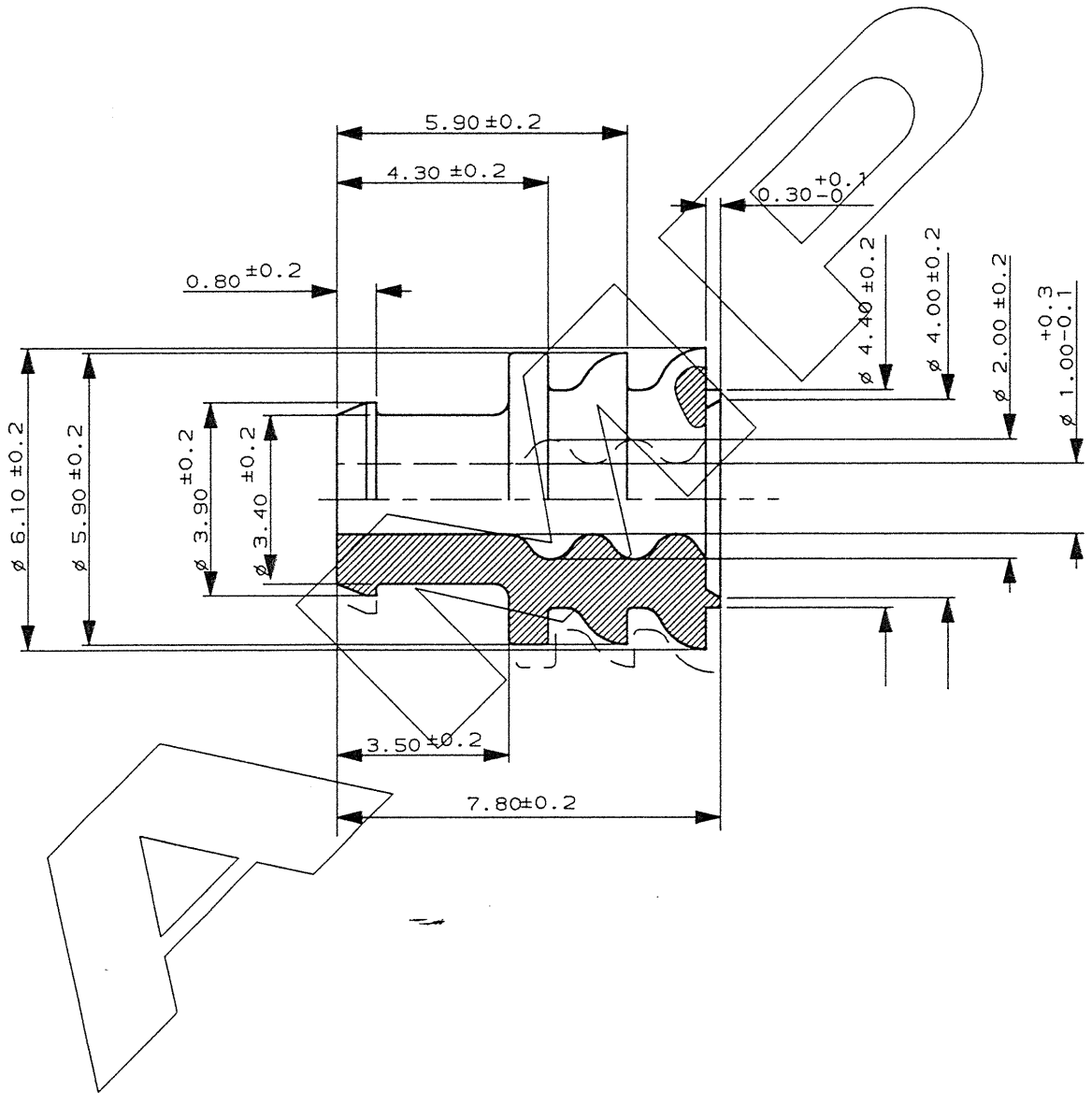
DISTRIBUZIONE (PRINT DIST.)

A  
B  
C  
D  
E  
F

SCALA NON IMPEGNATIVA  
(DO NOT SCALE)  
DIMENSIONI IN mm  
(DIMENSIONS IN)

METRIC

PROIEZIONE EUROPEA  
(EUROPEAN PROJECTION)



VERDE-GREEN	GOMMA AL SILICONE SILICON RUBBER	281934-4
FINITURA / COLORE (FINISH / COLOUR)	MATERIALE (MATERIAL)	NUMERO (PART NUMBER)

CUSTOMER DWG. FOR REFERENCE ONLY      DISEGNO PER CLIENTE SOLO PER RIFERIMENTO

THIS DRAWING IS UNPUBLISHED      RELEASE FOR PUBLICATION      19

© COPYRIGHT 1987 BY AMP INCORPORATED, HARRISBURG, PA. ALL INTERNATIONAL RIGHT RESERVED. AMP PRODUCTS MAY BE COVERED BY U.S. AND FOREIGN PATENT AND/OR PATENT PENDING

TOLLERANZE, SE NON DIVERSAMENTE SPECIFICATO (TOLERANCES, UNLESS OTHERWISE SPECIFIED)	DIAM. ISOLANTE (INS. DIA. RANGE) mm 1.4-1.7 DIA	RANGO FILO (WIRE RANGE)	SCALA (SCALE)
---	--	-------------------------	---------------

AMP      AMP ITALIA S.p.A.  
Corso F. LLI Cervi, 15  
COLLEGNO (TORINO)

C1	UPDATED ET00-0193-98 RR	03/11/92	DIS. C. BERTINI (DR.)	DESCRIZIONE (DESCRIPTION)	WIRE SEAL
C	UPDATED	C. B.	10/09/92		
B	UPDATED	AB	15-5/92	CONT. (CHKD)	
A	UPDATED	AB	NOV. 91	APP. (APP.)	

REV.	REVISIONI (REVISION RECORD)	DIS. DATA (DR) (DATE)	LOC. SIZE (LOC. SIZE)	NUMERO (DWG NO)	REV.	FUOGIO (SHEET)
			IA4	C-281934	C1	3 OF 3

DISTRIBUZIONE (PRINT DIST.)