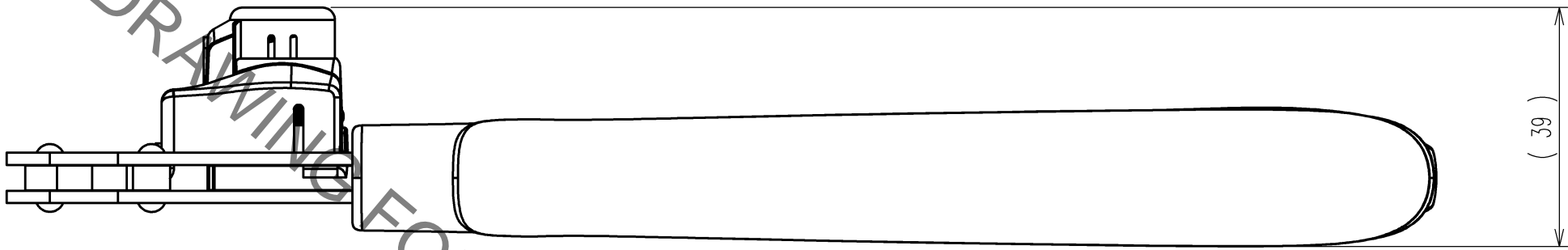


In case of consideration for using Automotive equipment / device which demand high reliability, kindly contact our sales window

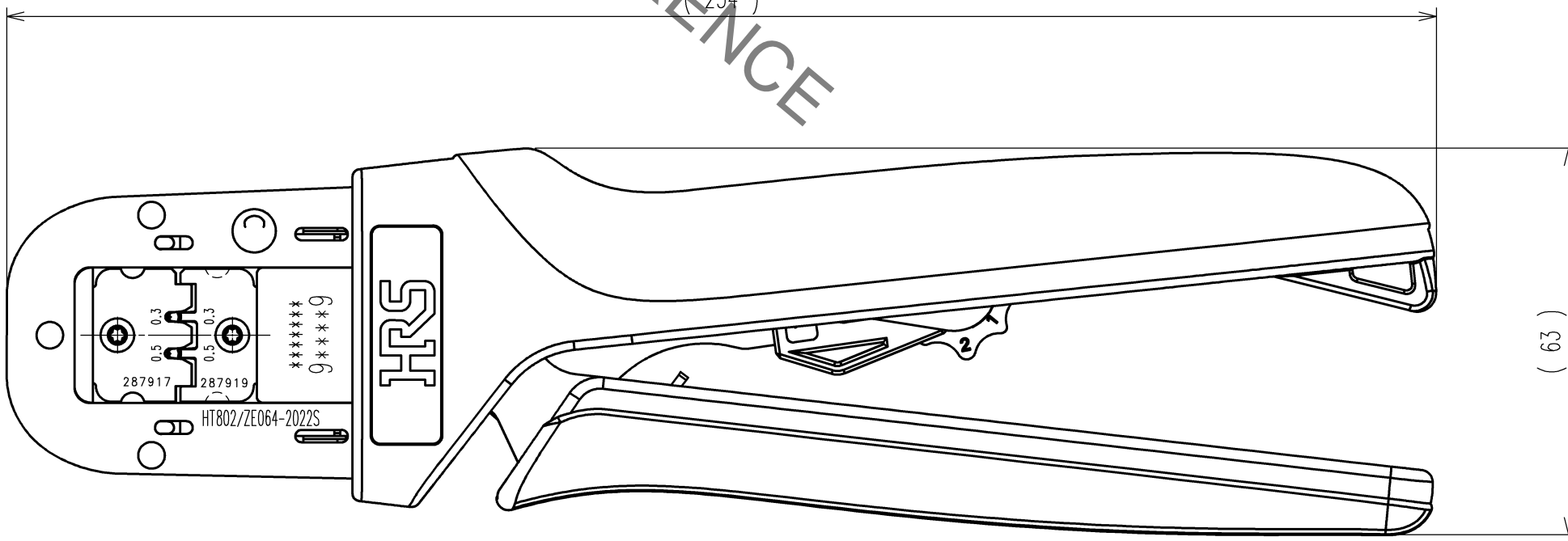
1 2 3 4 5 6 7 8

COUNT	DESCRIPTION OF REVISIONS	BY	CHKD	DATE	COUNT	DESCRIPTION OF REVISIONS	BY	CHKD	DATE
△				..	△				..
△				..	△				..
△				..	△				..

A A



B B



C C

D D

E E

Notes : Contact of ZE064-2022SCF(CL0753-2001-0) is assembled for this tool.

TO
PE

2			4		
1	-	-	3		
NO.	MATERIAL	FINISH, REMARKS	NO.	MATERIAL	FINISH, REMARKS
CODE NO.(OLD) CL-			DRAWN	DESIGNED	CHECKED
			MR.HOSHINO	MR.WATANABE	
			21. 7 . 12	21. 7 . 12	..
			APPROVED	RELEASED	
		
DRAWING NO. EDC3-285393-00-00			PART NO. HT802/ZE064-2022S		
SCALE 1 : 1			CODE NO. CL0780-0046-0		
UNITS mm			HRS HIROSE ELECTRIC CO., LTD		
					1/1

F F

1 2 3 4 5 6 7 8