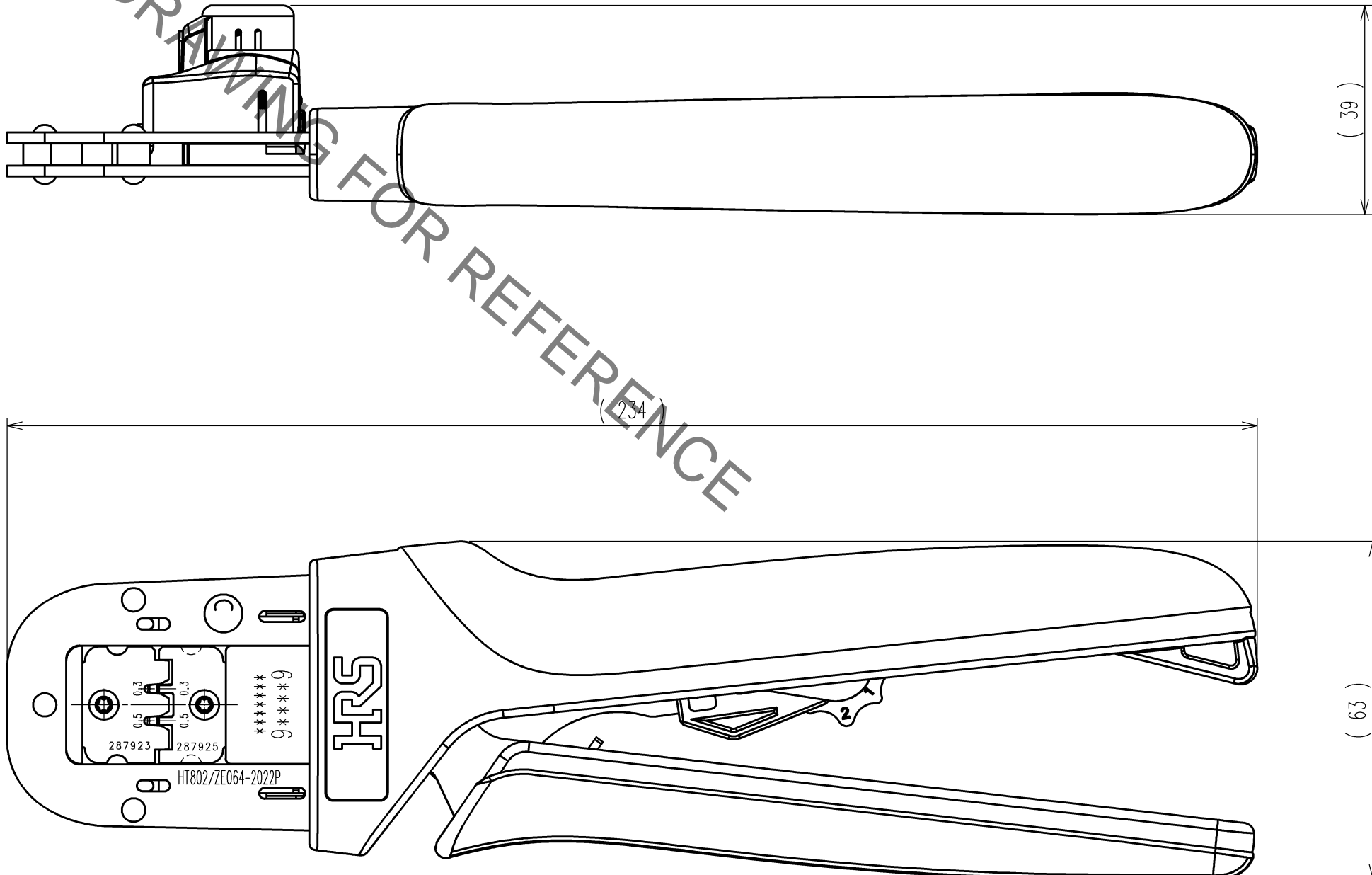


In case of consideration for using Automotive equipment / device which demand high reliability, kindly contact our sales window

1 2 3 4 5 6 7 8

COUNT	DESCRIPTION OF REVISIONS	BY	CHKD	DATE	COUNT	DESCRIPTION OF REVISIONS	BY	CHKD	DATE
△				..	△				..
△				..	△				..
△				..	△				..

A
B
C
D
E



Notes : Contact of ZE064-2022PCF(CL0753-2002-0) is assembled for this tool.

TO
PE

2			4		
1	-	-	3		
NO.	MATERIAL	FINISH, REMARKS	NO.	MATERIAL	FINISH, REMARKS
CODE NO.(OLD) CL-			DRAWN	DESIGNED	CHECKED
			MR.HOSHINO	MR.WATANABE	HO.TOKUTA
			21. 7. 12	21. 7. 12	21. 7. 13
				HK.ASANO	
				21. 7. 13	..
SCALE 1 : 1			DRAWING NO. EDC3-285394-00-00		PART NO. HT802/ZE064-2022P
UNITS mm			HRS HIROSE ELECTRIC CO., LTD		CODE NO. CL0780-0047-0
					1/1

1 2 3 4 5 6 7 8

A
B
C
D
E