

Terminal Block Header Horizontal 20.95MH/xx-E (21.95MH/xx-E)

5.00mm (5.08mm) Pitch, 300V 15A, Terminal Block Header, Green, Solid Block

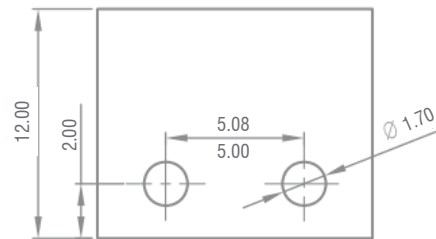
Key Features

- 300V 15A
- UL94-V0
- PA66
- 5.00mm (5.08mm) Pin Pitch
- RoHS Compliant
- xx = Number of Poles (available from 2~24 poles)

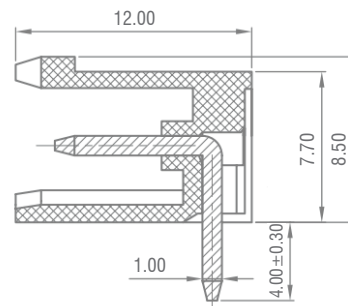
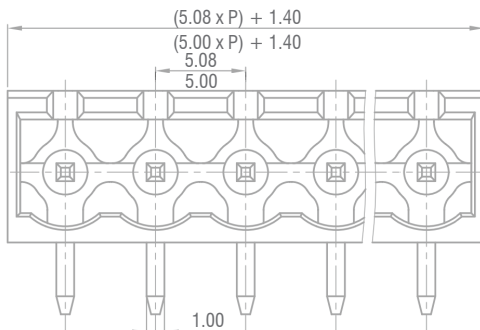


Technical Data

Pitch	5.00mm (5.08mm)
UL Rating	300V 15A
IEC Rating	320V 20A
Solder Pin	Copper Alloy, Tin Plated
Wire Clamp	n/a
Wire Range	n/a
PCB Hole Diameter	1.70mm
Stripping Length	n/a
Screw	n/a
Screw Type	n/a
Screw Torque	n/a
Insulation Voltage	AC 2000V / 1 Min
Initial Contact Resistance	20mΩ
Insulation Resistance	500MΩ / DC500V
Temperature Range	-40 to +105°C
Max Soldering	+250°C for 5 sec



PCB Layout



Dimensions shown in mm P = No of Poles

Supplied in green as standard

Other colour options and printing may be available depending upon quantity

Please contact IMO for further information