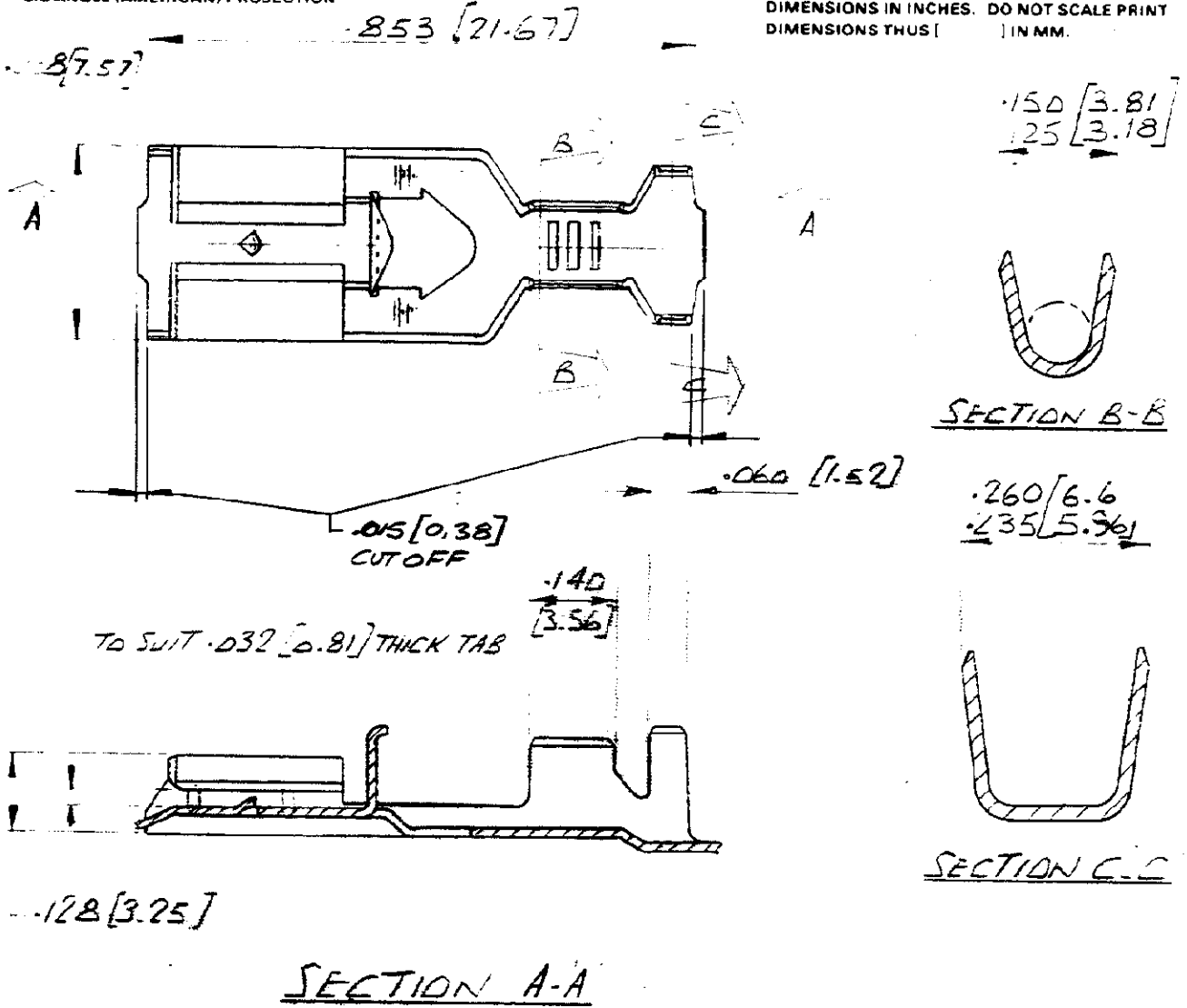


3rd ANGLE (AMERICAN) PROJECTION

DIMENSIONS IN INCHES. DO NOT SCALE PRINT
DIMENSIONS THUS [] IN MM.

NUMBER C-341411



SECTION A-A

C-341411-5	NICKEL SILVER	NONE
C-341411-4	PHOSPHOR BRONZE	PRE-TIN
C-341411-3	PHOSPHOR BRONZE	NONE
C-341411-2	BRASS	PRE-TIN
C-341411-1	BRASS	NONE
PART NO	MATERIAL	FINISH

				AMP of GREAT BRITAIN LTD 1978		CUSTOMER COPY REFERENCE ONLY	
				MATERIAL AND FINISH SEE TABLE		AMP TERMINAL HOUSE of Great Britain Ltd. STANMORE, MIDD.	
				CLASS		TYPE	
1 PRELIMINARY ISSUE JPS - 3/5/78				WIRE RANGE INSULATION 2.6mm - 3.6mm		LOC NO	
ISS REVISION RECORD DR CHK DATE				TOLERANCE EXCEPT AS NOTED SCALE		E A C-341411	
DR J.P. STOCKWELL 3/5/78 DE [Signature]				.015 [0.38] 1 0 4:1			
CH APP				NAME POSITIVE LOCK RECEPTACLE No II (250) LOOSE PIECE PART			

PRINT DIST