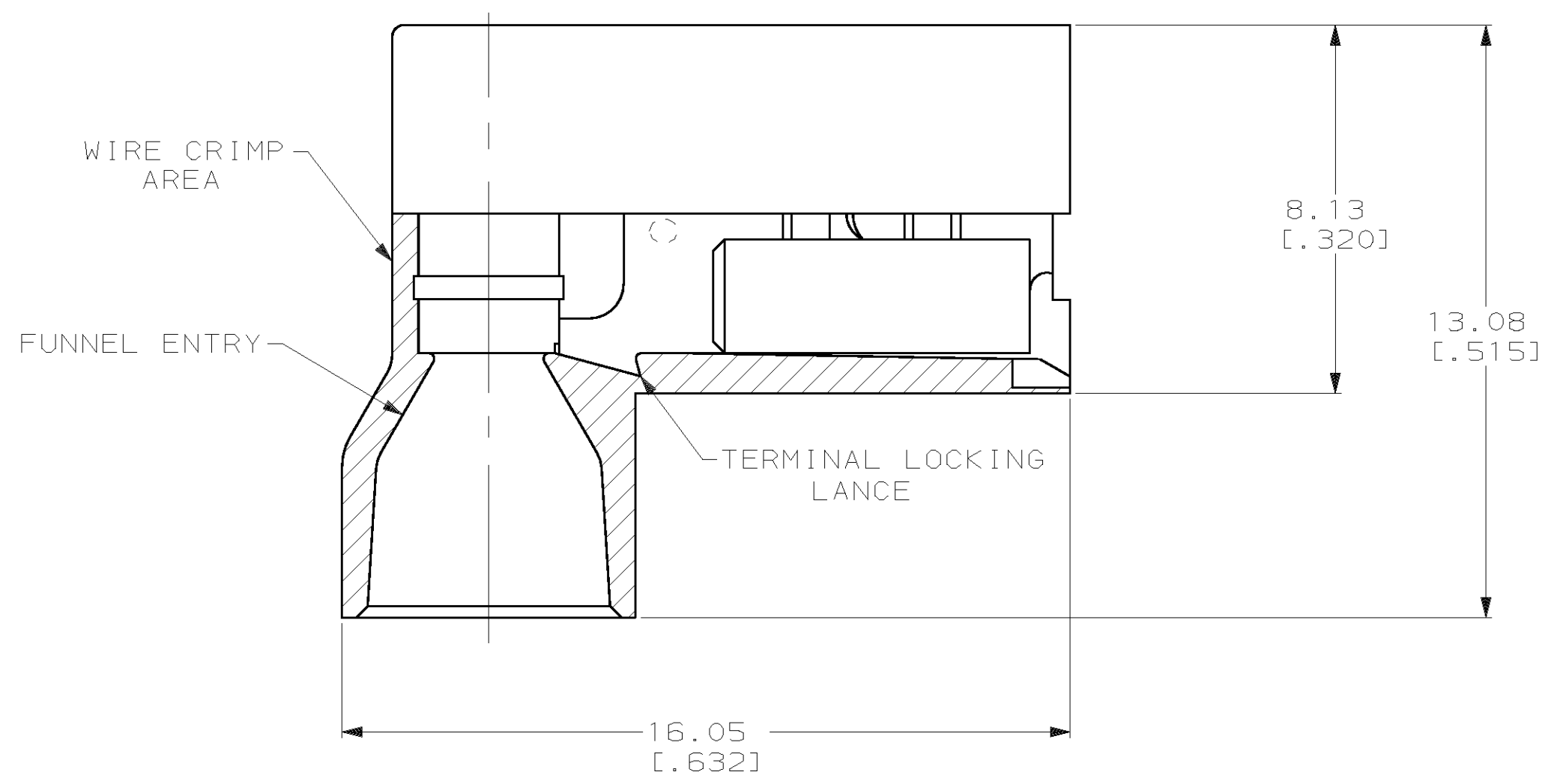
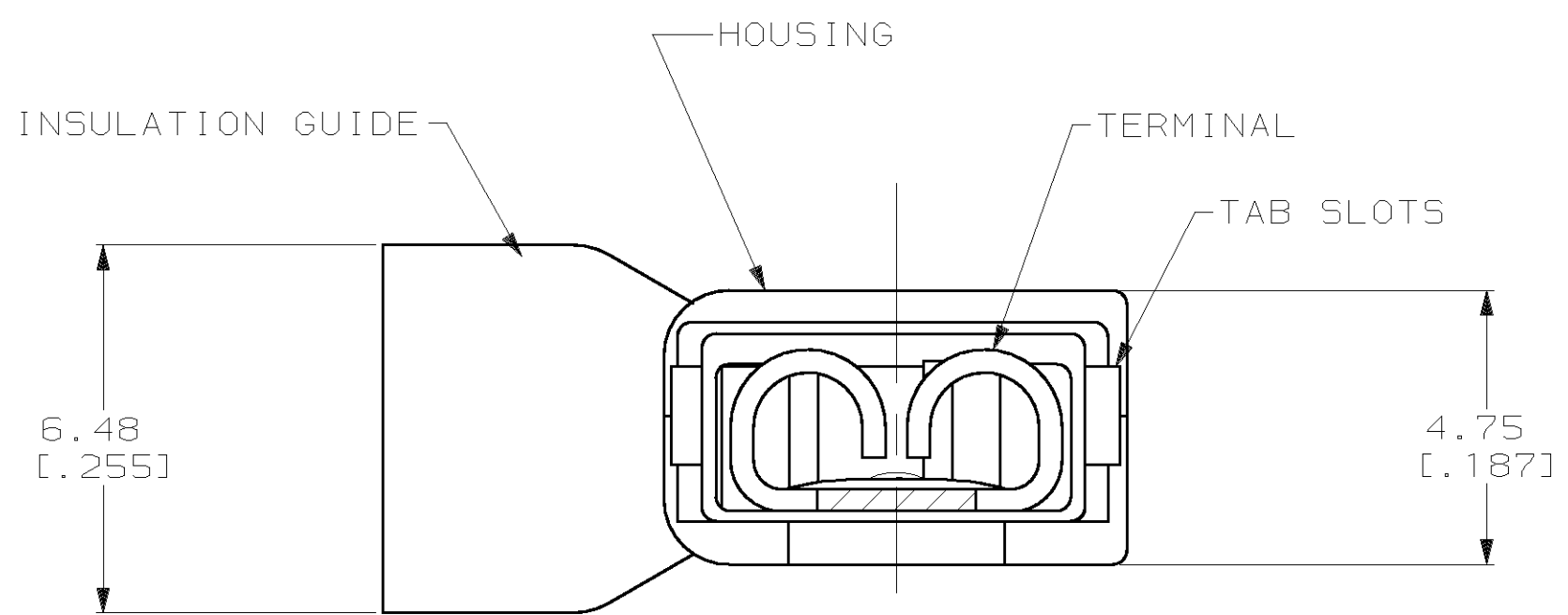
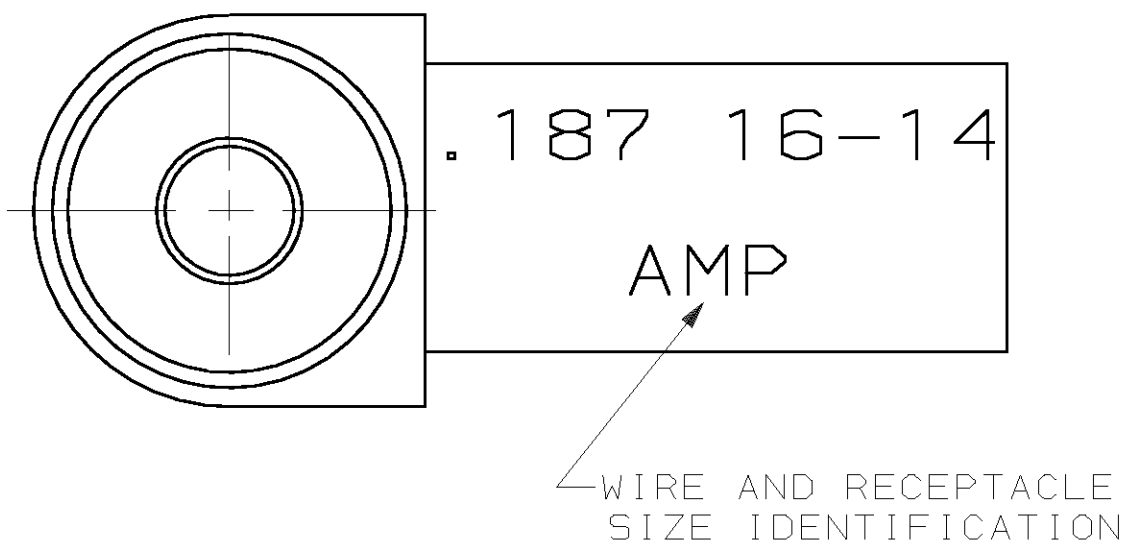


THIS DRAWING IS UNPUBLISHED. RELEASED FOR PUBLICATION
 © COPYRIGHT 19 BY AMP INCORPORATED. ALL INTERNATIONAL RIGHTS RESERVED.

LOC		DIST		P		F		ZONE		LTR		REVISIONS		
DESCRIPTION		DATE		APPD										
AF	50									G		REV PER 0G1A-0149-99	3JUN99	JR/JH



- 1 FITS 0.51±0.025 X 4.75 [.020±.001 X .187] TAB
- 2 WIRE SIZE: 1.3-2.0mm² [16-14 AWG], STRANDED ONLY. STRIP LENGTH 7.14 [.281]
- 3 INSULATION SIZE: 4.70 [.185] MAX DIA.
- 4 SUPPLIED AS LOOSE PIECE



OBSOLETE	HOUSING		TERMINAL		PART NO
	MATERIAL	COLOR	MATERIAL	FINISH	
	TYPE 6/6 NYLON	BLUE TRANSLUCENT	0.41 [.016] #4H PH BRZ	0.002032 [.000080] MIN TIN PL	3-520339-4
	TYPE 6/6 NYLON	BLUE TRANSLUCENT	0.41 [.016] #4H BRASS	0.002032 [.000080] MIN TIN PL	3-520339-2

DO NOT SCALE PRINT. UNLESS SPECIFIED DIMENSIONS IN mm [INCHES] TOLERANCES ON: 2 PLC DEC ± 0.38 [.015] 3 PLC DEC ± - ANGLES ± -	DR 8/10/90 P FORTNEY	AMP Incorporated Harrisburg, PA 17105-3608	
	CHK 8/23/90 MS FEHER		
MATERIAL SEE TABLE	APPD 8/24/90 D BRATINA	NAME RECEPTACLE ASSEMBLY, ULTRA-FAST FLAG, 4.75 [.187] SERIES, LOOSE PIECE	
FINISH SEE TABLE	APPD 8/24/90 R KUZO	PRODUCT SPEC 108-2043	SIZE C 00779
	APPLICATION SPEC 114-2123	WEIGHT -	DRAWING NO 520339
		SCALE 8:1	SHEET 1 OF 1

METRIC