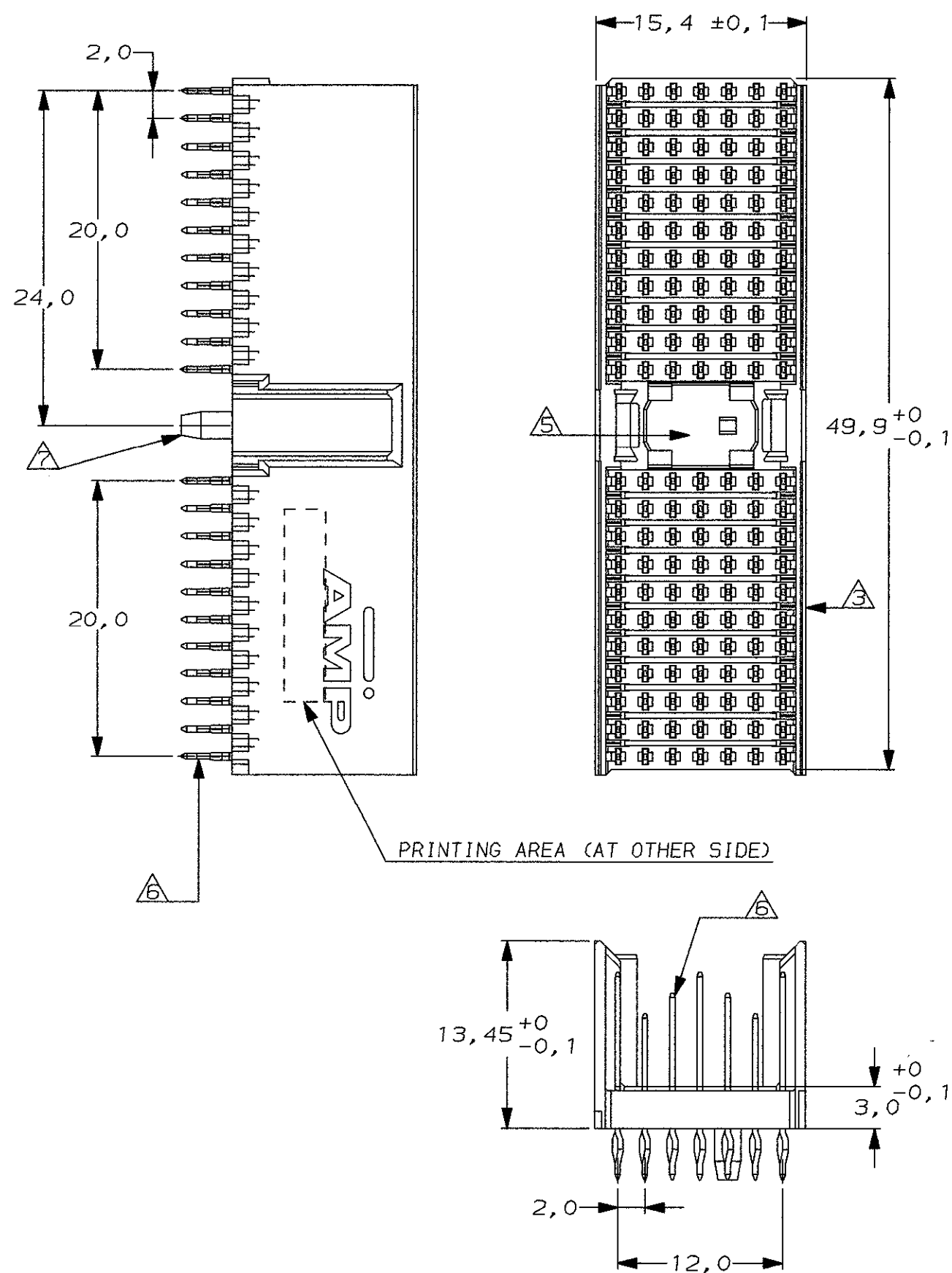


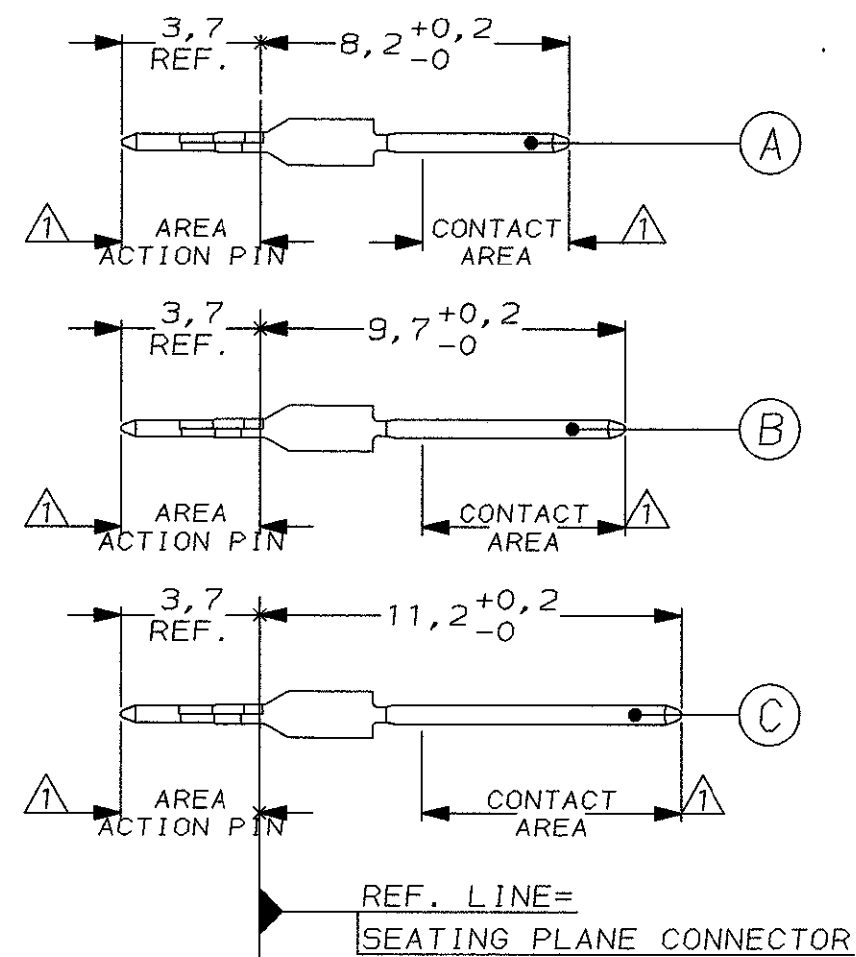
# CONNECTOR ASSEMBLY

## EXEMPLARY LOADED



PRINTING AREA (AT OTHER SIDE)

# CONTACT DIMENSIONS



DO NOT SCALE  
DIMENSIONS IN mm

METRIC

THIRD ANGLE  
PROJECTION

# CONTACT LAYOUT

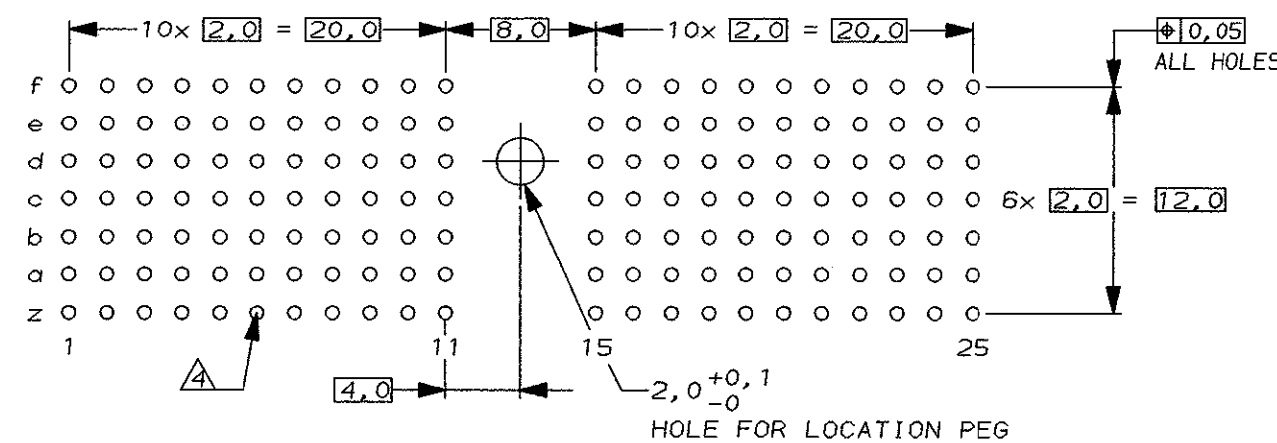
	z	a	b	c	d	e	f
1	C	B	B	B	B	B	C
2	C	B	B	C	B	B	C
3	C	B	B	B	C	B	C
4	C	B	B	C	B	B	C
5	C	B	B	B	B	B	C
6	C	B	B	B	B	B	C
7	C	B	B	B	C	B	C
8	C	B	B	B	B	B	C
9	C	B	B	B	C	B	C
10	C	B	B	B	B	B	C
11	C	B	B	B	A	B	C
MULTI PURPOSE CENTRE							
15	C	B	B	B	C	B	C
16	C	B	B	B	B	B	C
17	C	B	A	B	C	B	C
18	C	B	B	B	B	B	C
19	C	B	B	B	C	B	C
20	C	B	B	C	B	B	C
21	C	B	B	B	C	B	C
22	C	B	B	C	B	B	C
23	C	B	B	B	C	B	C
24	C	B	B	B	B	B	C
25	C	B	B	B	B	B	C

### NOTES:

- 1 FOR FINISH TYPES SEE PLATING TABLE.
- 2 MATERIAL CONTACT: PHOSPHORBRONZE.  
MATERIAL HOUSING: GREY GLASSFILLED POLYESTER  
UL-RATING 94V0.
- 3 CONNECTOR PRINTED WITH PART NUMBER AND DATE CODE.
- 4 PLATED-THROUGH HOLES AT 2x2mm SQUARE GRID,  
TOTAL 154 HOLES.
- 5 AREA FOR KEYING PART (BASIC PART NUMBER 100525).
- 6 FOR ACTUAL PIN LOADING SEE "CONTACT LAYOUT".
- 7 LOCATION PEG.
- 8 CONNECTOR LUBRICATED WITH BELLCORE  
APPROVED LUBRICANT TECHNICAL REFERENCE  
TR-NWT-001217 ISSUE 1 SEPT 1992

### PLATING TABLE

PART NO.	UNDER-COATING µm Ni MIN.	CONTACT AREA µm Au MIN.	ACTION-PIN AREA µm	CONSERVATION TREATMENT
352332-1	1,27	0,76	0,5-2,5 Sn/Pb	NO
352332-9	1,27	0,76	0,5-2,5 Sn/Pb	YES
-	-	-	-	-
-	-	-	-	-



RECOMMENDED PCB-HOLE LAY-OUT  
COMPONENT SIDE SHOWN

### P.C.B. HOLE DIM. ACTION PIN

DRILLED HOLE: 0,7±0,025mm  
FIN. HOLE : 0,55 TO 0,65mm  
Cu-thks : 0,025 TO 0,050mm  
SnPb-thks : 0,004 TO 0,010mm

FINISH	MATERIAL	PART NUMBER	CUSTOMER DRAWING			
-	-	-	FOR REFERENCE ONLY WILL NOT BE UPDATED			
-	-	-	© COPYRIGHT 1997 BY AMP HOLLAND B.V.			
-	-	-	ALL INTERNATIONAL RIGHTS RESERVED. AMP PRODUCTS MAY BE COVERED BY U.S. AND FOREIGN AND/OR PATENTS PENDING.			
-	-	-	THIS DRAWING IS UNPUBLISHED AND/OR PATENTS PENDING.			
-	-	-	RELEASED FOR PUBLICATION			
B	EH-1828-99	RB MB 02-OCT-00	AMP HOLLAND B.V. 's-Hertogenbosch, The Netherlands.			
A	EH-1609-98	LvdH LvdR 22-JAN-99	NAME Z-PACK 2mm HM TYPE A			
O	EH-1334-97	LvdH FvK 11-NOV-97	154 POS. MALE			
LTR.	REVISION RECORD	DR. CHK. DATE	CONNECTOR ASSEMBLY			
DR. : L.V.D.HEIJDEN	CHK. : L.V.D.REE	APP. : F.V.KONINGSBRUGGE	DWG.No. C-352332			
DATE: 22-JAN-99	DATE: 22-JAN-99	DATE: -	REV.LTR. B			
			SHEET 1 OF 1		A2	