

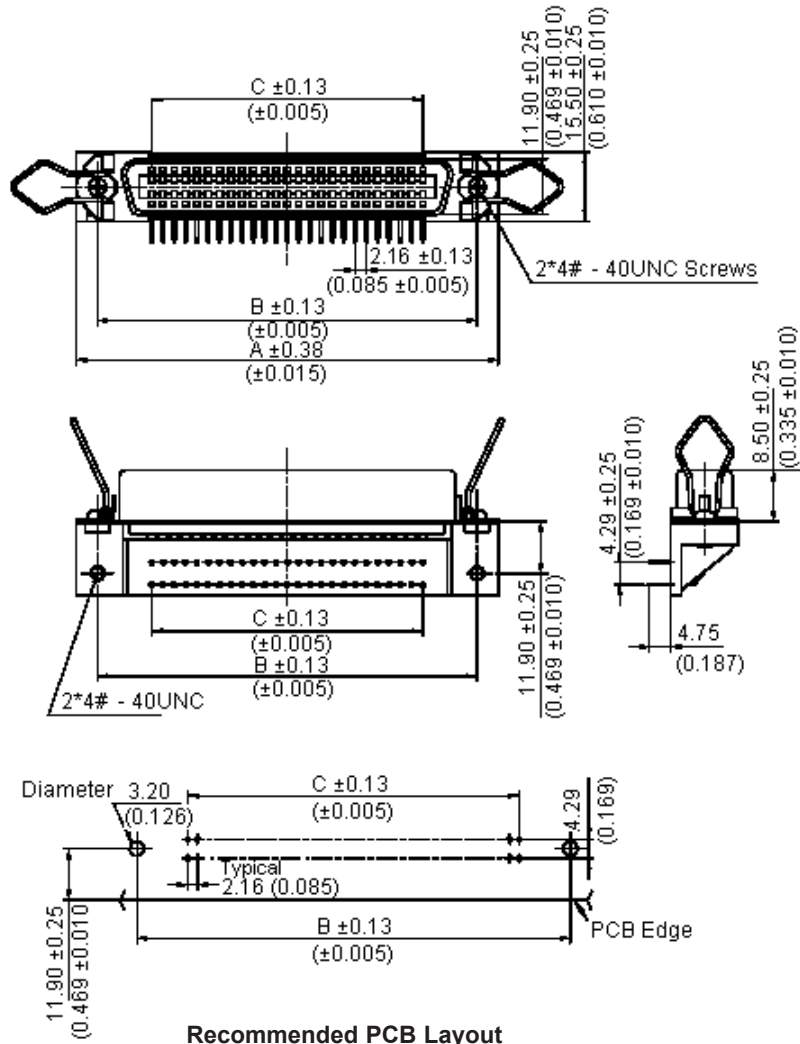


PART NO.

147753

REVISIONS

ECN #	REV	DESCRIPTION	DRAWN	DATE	CHECKD	DATE	APPRVD	DATE
-	A	RELEASED	Ramya	10/06/09	Suresh	10/06/09	Farnell	24/06/09



Recommended PCB Layout

Dimensions : Millimetres (Inches)

Specifications:

Electrical:

- Current rating : 3A.
- Minimum insulation resistance : 1000MΩ (at 500V dc).
- Dielectric withstanding voltage : 1000V ac for one minute.
- Contact resistance : 30mΩ maximum mated.
- Working temperature : -25°C to +85°C.

Mechanical:

- Insulator material : Polyester resin and glass fibre reinforced.
- Contact material : Phosphor bronze.
- Contact finish : Gold over nickel.
- Terminal finish : Tin over nickel.
- Minimum durability : 100 cycles.

This data sheet and its contents (the "Information") belong to the Premier Farnell Group (the "Group") or are licensed to it. No licence is granted for the use of it other than for information purposes in connection with the products to which it relates. No licence of any intellectual property rights is granted. The Information is subject to change without notice and replaces all data sheets previously supplied. The Information supplied is believed to be accurate but the Group assumes no responsibility for its accuracy or completeness, any error in or omission from it or for any use made of it. Users of this data sheet should check for themselves the Information and the suitability of the products for their purpose and not make any assumptions based on information included or omitted. Liability for loss or damage resulting from any reliance on the Information or use of it (including liability resulting from negligence or where the Group was aware of the possibility of such loss or damage arising) is excluded. This will not operate to limit or restrict the Group's liability for death or personal injury resulting from its negligence. SPC MULTICOMP is the registered trademark of the Group. © Premier Farnell plc 2009.

TOLERANCES:

UNLESS OTHERWISE SPECIFIED, DIMENSIONS ARE FOR REFERENCE PURPOSES ONLY.

DRAWN BY:

Ramya

DATE:

10/06/09

CHECKED BY:

Suresh

DATE:

10/06/09

APPROVED BY:

Farnell

DATE:

24/06/09

DRAWING TITLE:

Socket - Centronic, PCB, Right Angle

SIZE
A

DWG NO.

M10002244

ELECTRONIC FILE
1131098-TDS_DWG

REV
A

SCALE: NTS

U.O.M.: mm (Inches)

SHEET: 1 OF 2



PART NO.

147753

REVISIONS

ECN #	REV	DESCRIPTION	DRAWN	DATE	CHECKD	DATE	APPRVD	DATE
-	A	RELEASED	Ramya	10/06/09	Suresh	10/06/09	Farnell	24/06/09

Specification Table

Number of Positions	A ±0.38/(0.015)	B ±0.13/(0.005)	C ±0.13/(0.005)	Part Number
36	67.80 (2.669)	59.74 (2.352)	36.72 (1.446)	147753

Dimensions : Millimetres (Inches)

<http://www.farnell.com>

<http://www.newark.com>

<http://www.cpc.co.uk>

This data sheet and its contents (the "Information") belong to the Premier Farnell Group (the "Group") or are licensed to it. No licence is granted for the use of it other than for information purposes in connection with the products to which it relates. No licence of any intellectual property rights is granted. The Information is subject to change without notice and replaces all data sheets previously supplied. The Information supplied is believed to be accurate but the Group assumes no responsibility for its accuracy or completeness, any error in or omission from it or for any use made of it. Users of this data sheet should check for themselves the Information and the suitability of the products for their purpose and not make any assumptions based on information included or omitted. Liability for loss or damage resulting from any reliance on the Information or use of it (including liability resulting from negligence or where the Group was aware of the possibility of such loss or damage arising) is excluded. This will not operate to limit or restrict the Group's liability for death or personal injury resulting from its negligence. SPC MULTICOMP is the registered trademark of the Group. © Premier Farnell plc 2009.

**TOLERANCES:
UNLESS OTHERWISE SPECIFIED, DIMENSIONS ARE FOR REFERENCE PURPOSES ONLY.**

DRAWN BY:	DATE:
Ramya	10/06/09
CHECKED BY:	DATE:
Suresh	10/06/09
APPROVED BY:	DATE:
Farnell	24/06/09

DRAWING TITLE:			
Socket - Centronic, PCB, Right Angle			
SIZE	DWG NO.	ELECTRONIC FILE	REV
A	M10002244	1131098-TDS_DWG	A
SCALE: NTS		U.O.M.: mm (Inches)	SHEET: 2 OF 2