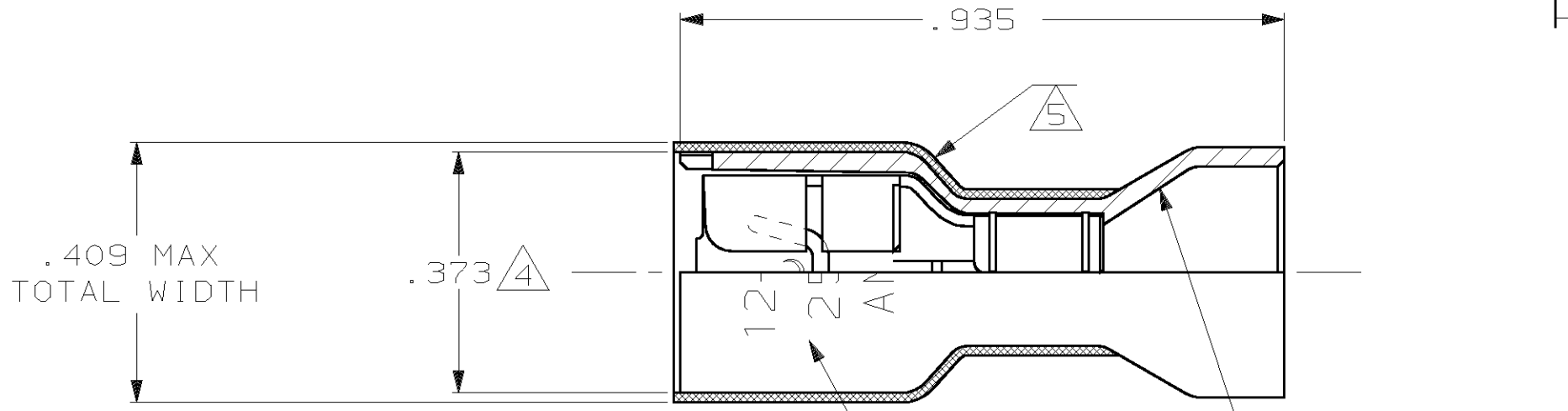
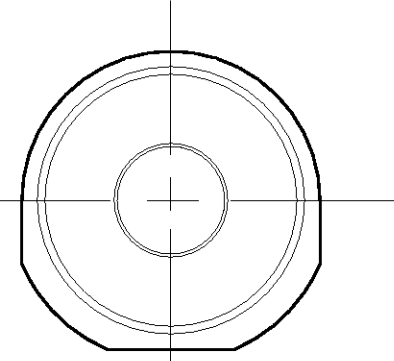
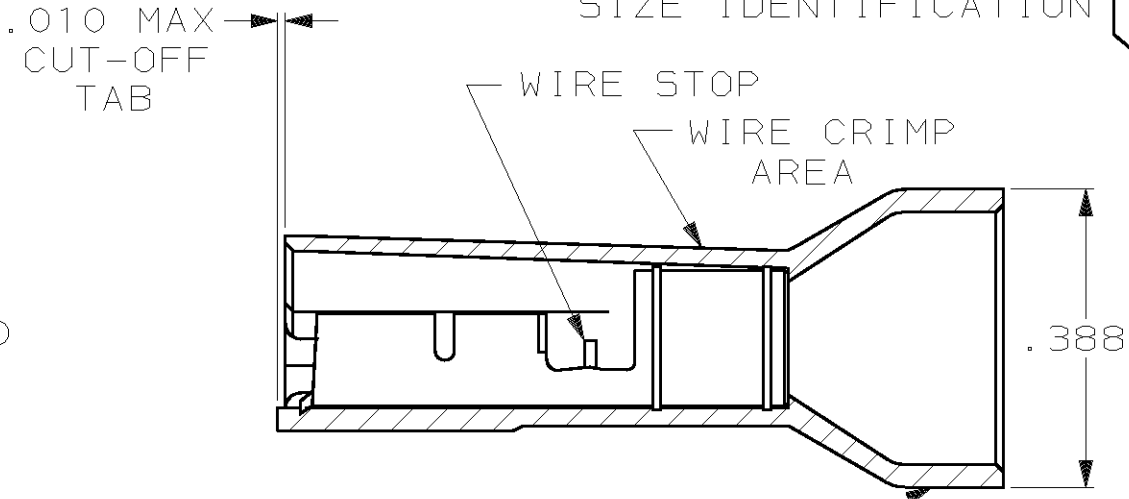
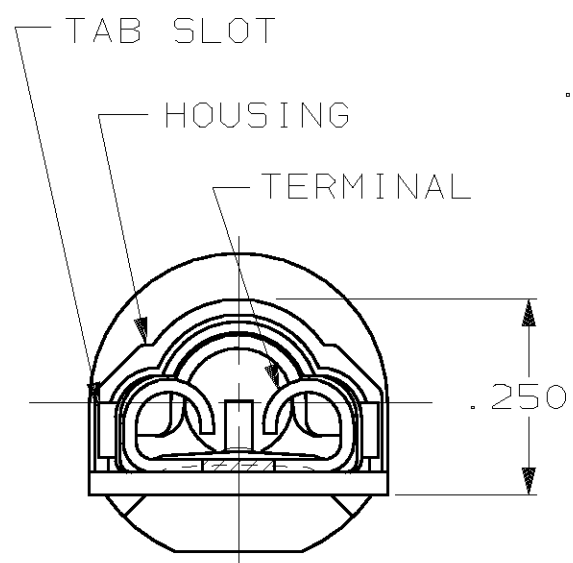


THIS DRAWING IS UNPUBLISHED. RELEASED FOR PUBLICATION, 19
 © COPYRIGHT 19 BY AMP INCORPORATED. ALL INTERNATIONAL RIGHTS RESERVED.

LOC	DIST	P	F	REVISIONS			DATE	APPD
AF	50			ZONE	LTR	DESCRIPTION		
					H	REV PER 0G1A-0148-99	4JUN99	JR/JH



- 1 MATES WITH .032±.001×.250 TAB
- 2 WIRE STRIP LENGTH .312
- 3 INSULATION SIZE .320 MAX DIA
- 4 DIMENSION DOES NOT INCLUDE TRIM BURR
- 5 .015 MAX CARRIER TRIM BURR PER SIDE IS ALLOWABLE IN THE SHADED AREA



HOUSING: NYLON, COLOR-YELLOW TRANSLUCENT		4-520448-2	
RECEPTACLE: #3 HARD BRASS, TIN .000080 MIN			
MATERIAL & FINISH			PART NO
DO NOT SCALE PRINT. UNLESS SPECIFIED DIMENSIONS IN INCHES TOLERANCES ON: 2 PLC DEC ± - 3 PLC DEC ± .015 ANGLES ± -	DR 11/4/88 P FORTNEY	AMP INCORPORATED Harrisburg, Pa. 17105	
	CHK 11/7/88 MS FEHER		
	APPD 11/7/88 K RANDOLPH	NAME RECEPTACLE ASSEMBLY, ULTRA-FAST, LOOSE PIECE .250 SERIES, 12-10 AWG	
	APPD 11/10/88 TL SHUTTER		
MATERIAL SEE TABLE	PRODUCT SPEC 108-2043	SIZE B	FSCM NO 00779
FINISH SEE TABLE	APPLICATION SPEC 114-2035	DRAWING NO 520448	
WEIGHT -		SCALE 4:1	SHEET 1 OF 1