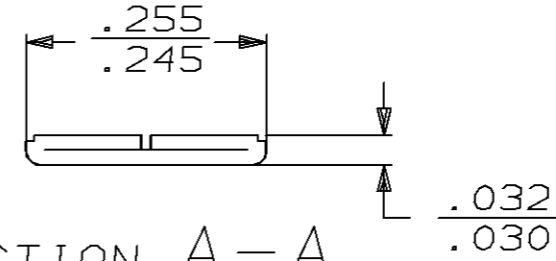
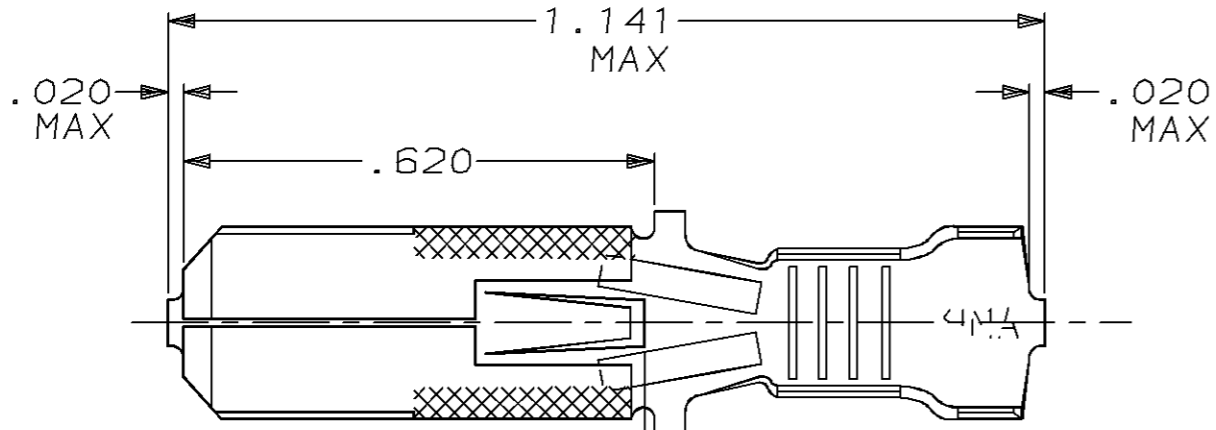


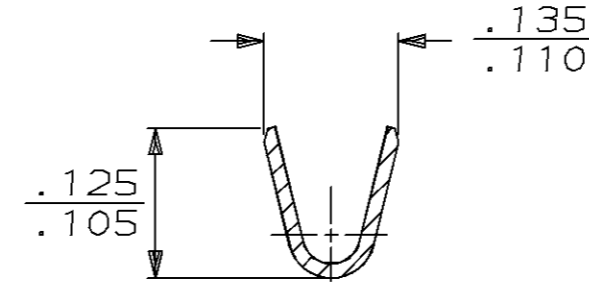
THIS DRAWING IS UNPUBLISHED. RELEASED FOR PUBLICATION, 19
 © COPYRIGHT 19 BY AMP INCORPORATED. ALL INTERNATIONAL RIGHTS RESERVED.

LOC	DIST	P	F	ZONE	LTR	REVISIONS	DATE	APPD
AF	50				C	REV PER 0225-94	5/12/94	JR/JG

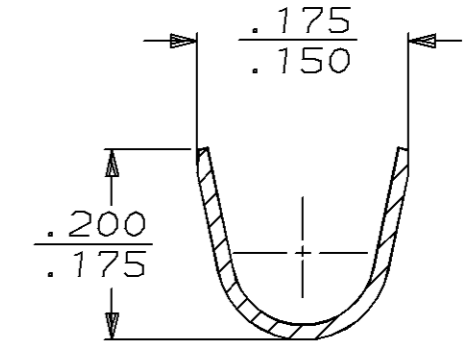
1 SUPPLIED IN LOOSE PIECE



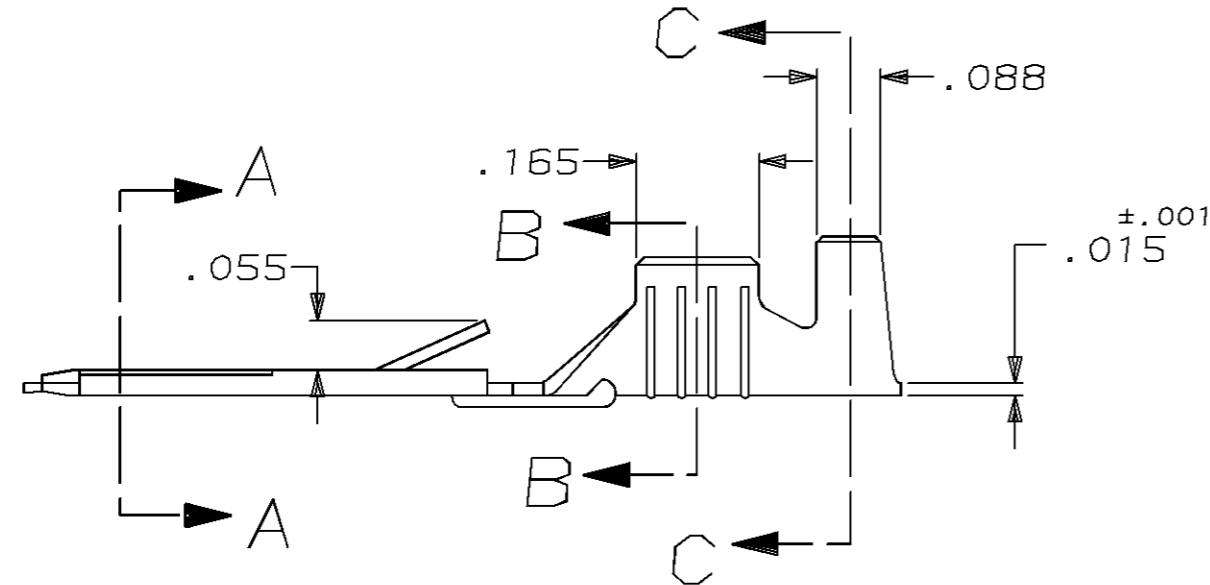
SECTION A-A
SCALE 5:1



SECTION B-B
SCALE 5:1



SECTION C-C
SCALE 5:1



60294-2	.085-.125 DIA	#22-#18 AWG	61316-1
STRIP FORM	INSULATION RANGE	WIRE SIZE	PART NO
DO NOT SCALE PRINT. UNLESS SPECIFIED DIMENSIONS ARE IN INCHES. TOLERANCES ON: 2 PLC DEC ± - 3 PLC DEC ± .015 ANGLES ± -	DR 3/2/93 JR RUTH CHK 3/2/93 MS FEHER APPD 3/2/93 J GILLESPIE APPD 3/2/93 R REINER PRODUCT SPEC -	AMP AMP Incorporated Harrisburg, PA 17105-3608 NAME TAB, FASTIN-FASTON, .250 SERIES	
MATERIAL 082 BRASS	APPLICATION SPEC -	SIZE B	CAGE CODE 00779
FINISH TIN .000080 MIN	WEIGHT -	DRAWING NO 61316	SCALE 4:1
		SHEET	1 OF 1