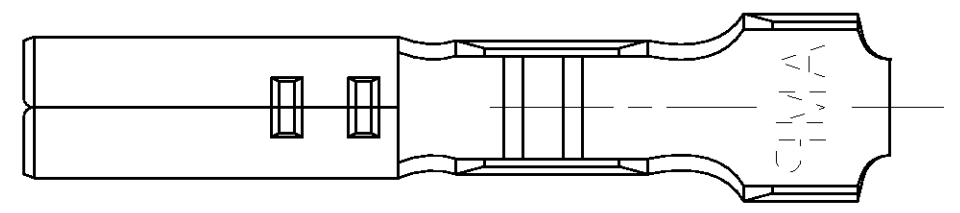
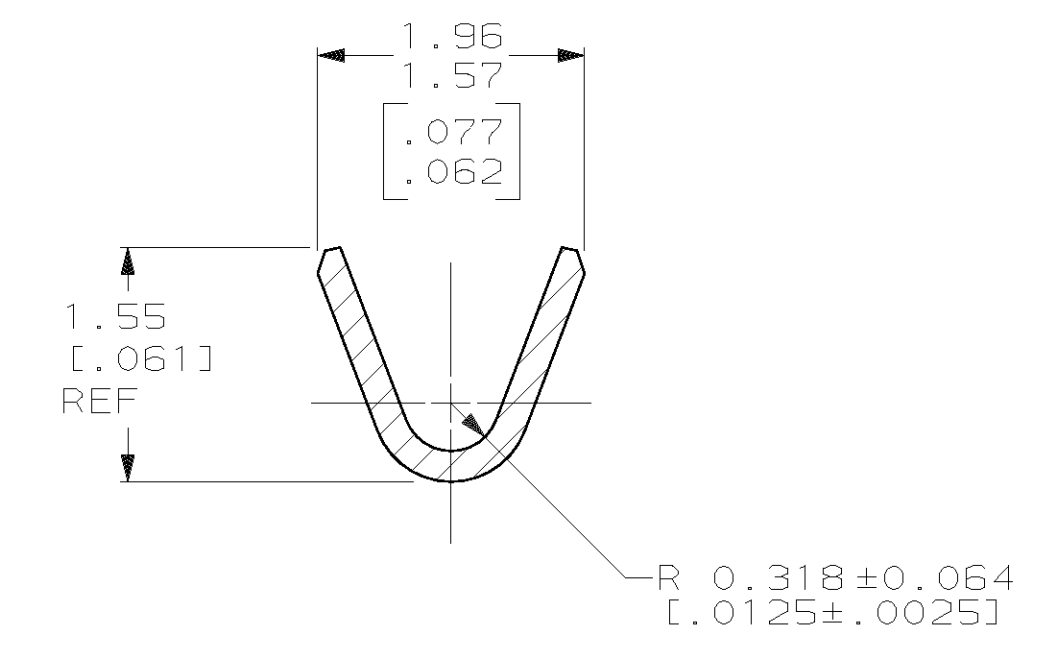
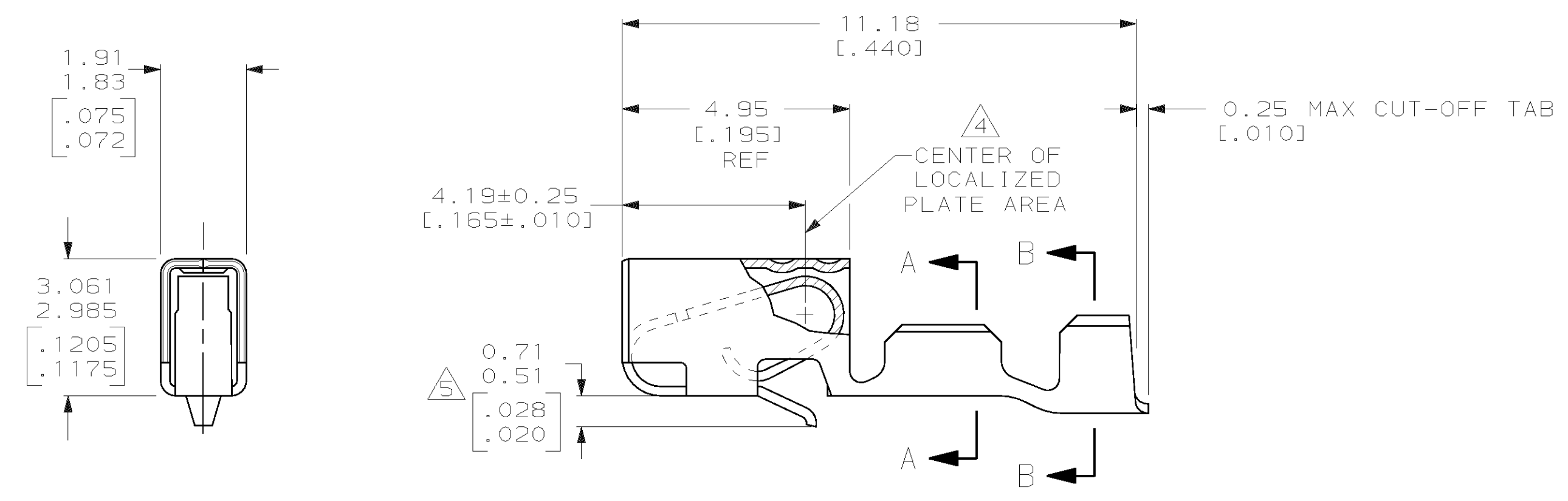


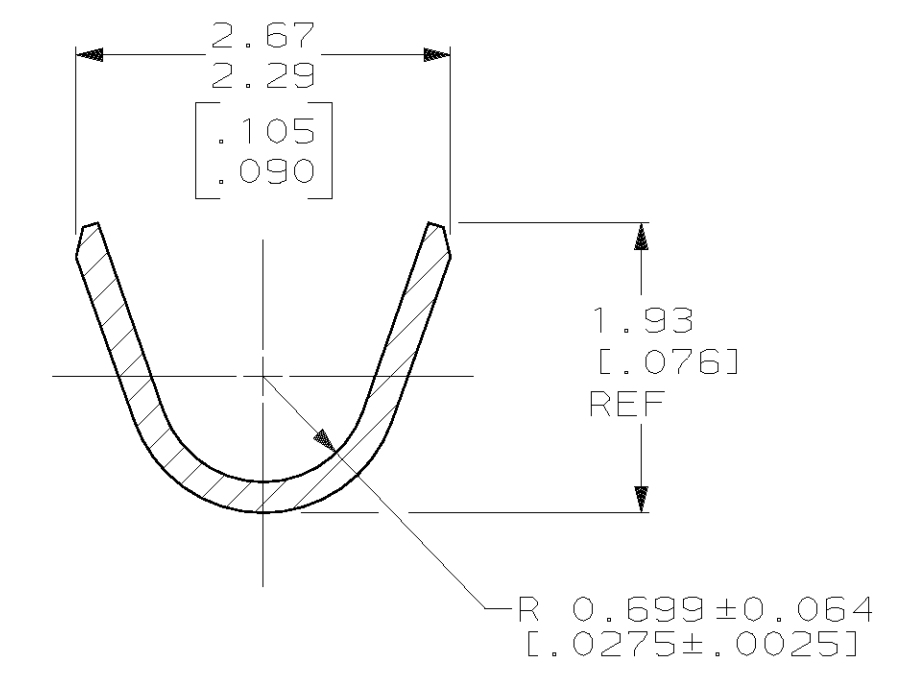
LOC		DIST		P		F		ZONE		LTR		REVISIONS			
CM	54											DESCRIPTION	DATE	APPD	
												G	REV PER EC OL30-0104-96	2-26-97	JH RS



1. WIRE RANGE 0.13 - 0.35 mm² (26 - 22 AWG).
 2. INSULATION RANGE: 0.89 - 1.65 [.035 - .065] DIA
LARGER SIZES OF 1.68 - 1.91 [.066 - .075] DIA
INSULATION REQUIRE WIRE AND CRIMP EVALUATION
FROM AMP INCORPATED.
 3. DIMENSIONS IN BRACKETS ARE IN INCHES.
- △ 4 0.00076 [.000030] MIN THK GOLD STRIPES IN LOCALIZED
PLATE AREA ON BEAM AND DIMPLE OVER 0.00127 [.000050]
MIN THK NICKEL OVER ENTIRE CONTACT.
- △ 5 AFTER PACKAGING AND SHIPMENT, A LANCE HEIGHT
0.46 - 0.71 [.018 - .028] IS PERMISSABLE.



SECTION A-A
SCALE 20:1



SECTION B-B
SCALE 20:1

△ 4	770666-2
PRE-TIN	770666-1
FINISH	PART NO

DO NOT SCALE PRINT. UNLESS SPECIFIED DIMENSIONS IN mm [INCHES] TOLERANCES ON: 2 PLC DEC ± - 3 PLC DEC ±13 [.005] ANGLES ± -		DR T. BECK 3-1-91	AMP INCORPORATED Harrisburg, Pa. 17105
MATERIAL 0.198 PH BRZ [.0078]	CHK R. SWING 3-1-91	APPD D. CLARK 3-5-91	
FINISH SEE TABLE	APPD D. CLARK 3-5-91	PRODUCT SPEC -	
APPLICATION SPEC -	WEIGHT -	SIZE D	NAME RECEPTACLE, CST-100, LOOSE PIECE
		CAGE CODE 00779	DRAWING NO 770666
		SCALE 10:1	SHEET 1 OF 1

