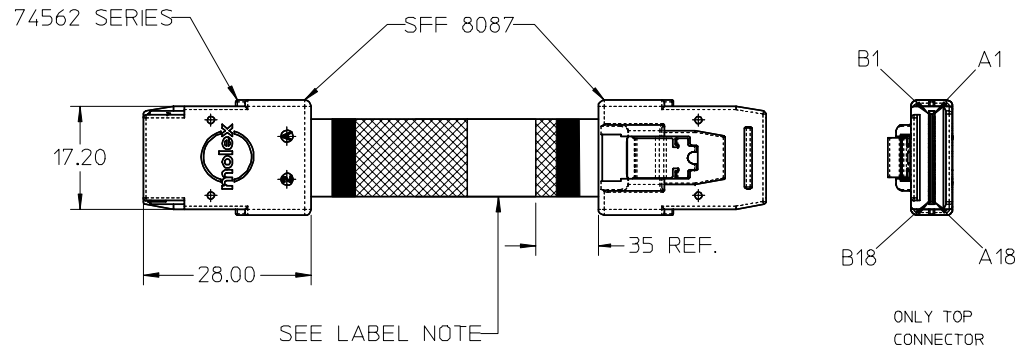
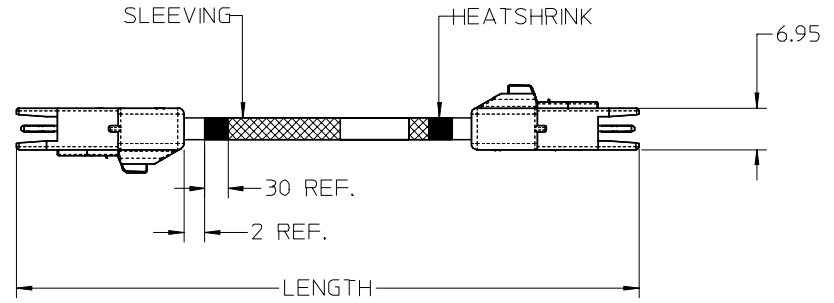


MATERIAL#	SIDEBANDS	APPLICATION	SLEEVING	AWG	LENGTH(M)	TOL(+/-)	PIN OUT
79576-2100	YES	Ctrl to BP	YES	30	0.152	0.015	PIN OUT 1
79576-2101	YES	Ctrl to BP	YES	30	0.3	0.015	PIN OUT 1
79576-2102	YES	Ctrl to BP	YES	30	0.5	0.015	PIN OUT 1
79576-2103	YES	Ctrl to BP	YES	30	0.6	0.015	PIN OUT 1
79576-2104	YES	Ctrl to BP	YES	28	1	0.030	PIN OUT 1
79576-2105	YES	Ctrl to BP	YES	30	0.33	0.015	PIN OUT 1
79576-2110	YES	Ctrl to CTRL	YES	30	0.152	0.015	PIN OUT 2
79576-2111	YES	Ctrl to CTRL	YES	30	0.3	0.015	PIN OUT 2
79576-2112	YES	Ctrl to CTRL	YES	30	0.5	0.015	PIN OUT 2
79576-2113	YES	Ctrl to CTRL	YES	30	0.6	0.015	PIN OUT 2
79576-2114	YES	Ctrl to CTRL	YES	28	1	0.030	PIN OUT 2
79576-2120	NO	N/A	YES	30	0.152	0.015	PIN OUT 3
79576-2121	NO	N/A	YES	30	0.3	0.015	PIN OUT 3
79576-2122	NO	N/A	YES	30	0.5	0.015	PIN OUT 3
79576-2123	NO	N/A	YES	30	0.6	0.015	PIN OUT 3
79576-2124	NO	N/A	YES	28	1	0.030	PIN OUT 3
79576-2125	NO	N/A	YES	28	0.875	0.010	PIN OUT 3
79576-2126	NO	N/A	YES	30	0.650	0.010	PIN OUT 3
79576-2127	NO	N/A	YES	28	0.710	0.010	PIN OUT 3
79576-2128	NO	N/A	YES	28	0.935	0.010	PIN OUT 3
79576-2141	NO	N/A	YES	28	1.1	0.010	PIN OUT 3
79576-2142	NO	N/A	YES	28	2.1	0.010	PIN OUT 3
79576-2012	YES	Ctrl to CTRL	NO	30	0.5	0.015	PIN OUT 2



- NOTES:
- MATERIAL:
 - OVER MOLD - POLYBUTYLENE TEREPHTHALATE (PBT), 94-V0, GLASS FILLED 30%.
 - LATCH - STAINLESS STEEL ALLOY.
 - CABLE -
 - SIGNALS PVC INSULATION
 - SOLID COPPER SIGNAL AND DRAIN.
 - INNER DIELECTRIC IS POLYOLEFIN
 - TWIN-AX SHIELD IS ALUMINIZED POLYESTER FOIL.
 - JACKET - PVC RED
 - PCB - FR4
 - PRODUCT TO PERFORM PER PRODUCT SPECIFICATION: PS-79536-001.
 - PRODUCT MATES TO 75783 (RIGHT ANGLE) AND 75784 (VERTICAL) SERIES.
 - THIS PRODUCT CONFORMS TO THE MECHANICAL DIMENSIONING AND ELECTRICAL PERFORMANCE REQUIREMENTS OF SFF-8087.
 - MINIMUM RECOMMENDED BEND RADIUS 28 MM.
 - THIS PRODUCT MEETS THE RESTRICTION OF HAZARDOUS SUBSTANCES IN ELECTRICAL AND ELECTRONIC EQUIPMENT (RoHS) DIRECTIVE (2002/95/EC)
 - LABEL INFO.
 - MOLEX
 - <<PART NUMBER>>
 - MADE IN CHINA
 - WW/YY

IPASS™ IS A TRADEMARK OF MOLEX.

ENTER DESCRIPTION EC NO: USY2006-0363 DRWN: JERWIN 2006/05/04 CHKD: THALL 2006/05/04 APPR: DDOYE 2006/05/08 REV J	QUALITY SYMBOLS ▽=0 ▽=0	GENERAL TOLERANCES (UNLESS SPECIFIED)		DIMENSION STYLE MM/IN		SCALE 1:1	DESIGN UNITS METRIC	THIRD ANGLE PROJECTION	
		4 PLACES ± --- ± ---	3 PLACES ± --- ± .01	DRAWN BY JERWIN	DATE 2006/04/25	TITLE IPASS (MINI-SAS) INTERNAL CABLE 36 CKT 4X W/ SIDEBANDS			
		2 PLACES ± 0.25 ± ---	1 PLACE ± --- ± ---	CHECKED BY THALL	DATE 2006/04/25	MOLEX INCORPORATED			
		ANGULAR ± 1°		APPROVED BY DDOYE	DATE 2006/04/25	MATERIAL NO. SEE TABLE	DOCUMENT NO. SD-79576-200	SHEET NO. 1 OF 4	
DRAFT WHERE APPLICABLE MUST REMAIN WITHIN DIMENSIONS				THIS DRAWING CONTAINS INFORMATION THAT IS PROPRIETARY TO MOLEX INCORPORATED AND SHOULD NOT BE USED WITHOUT WRITTEN PERMISSION					

6

5

4

3

2

1

D

C

B

A

GROUND	B18		A18	GROUND
TX3-	B17	▶	A17	RX3-
TX3+	B16	▶	A16	RX3+
GROUND	B15		A15	GROUND
TX2-	B14	▶	A14	RX2-
TX2+	B13	▶	A13	RX2+
GROUND	B12		A12	GROUND
SIDEBAND 6	B11	◀ --- ▶	A11	SIDEBAND 6
SIDEBAND 2	B10	◀ --- ▶	A10	SIDEBAND 2
SIDEBAND 1	B9	◀ --- ▶	A9	SIDEBAND 1
SIDEBAND 0	B8	◀ --- ▶	A8	SIDEBAND 0
GROUND	B7		A7	GROUND
TX1-	B6	▶	A6	RX1-
TX1+	B5	▶	A5	RX1+
GROUND	B4		A4	GROUND
TX0-	B3	▶	A3	RX0-
TX0+	B2	▶	A2	RX0+
GROUND	B1		A1	GROUND
GROUND	A18		B18	GROUND
RX3-	A17	◀	B17	TX3-
RX3+	A16	◀	B16	TX3+
GROUND	A15		B15	GROUND
RX2-	A14	◀	B14	TX2-
RX2+	A13	◀	B13	TX2+
GROUND	A12		B12	GROUND
SIDEBAND 5	A11	◀ --- ▶	B11	SIDEBAND 5
SIDEBAND 4	A10	◀ --- ▶	B10	SIDEBAND 4
SIDEBAND 3	A9	◀ --- ▶	B9	SIDEBAND 3
SIDEBAND 7	A8	◀ --- ▶	B8	SIDEBAND 7
GROUND	A7		B7	GROUND
RX1-	A6	◀	B6	TX1-
RX1+	A5	◀	B5	TX1+
GROUND	A4		B4	GROUND
RX0-	A3	◀	B3	TX0-
RX0+	A2	◀	B2	TX0+
GROUND	A1		B1	GROUND

C
O
N
T
R
O
L
L
E
RB
A
C
K
P
L
A
N
EP
I
N
O
U
T
1

NOTE:

- PINOUT CONFORMS TO SAS 1.1 9.0D SECTION 5.2.4.1.2.3
- ALL SIGNAL GROUNDS ARE BUSSED IN PCB.

IPASS™ IS A TRADEMARK OF MOLEX

UPDATED SIDE VIEW EC NO: USY2006-0363 DRWN: JERWIN 2006/05/04 CHKD: THALL 2006/05/04 APPR: DDOYE 2006/05/08	QUALITY SYMBOLS =0 =0	GENERAL TOLERANCES (UNLESS SPECIFIED)		DIMENSION STYLE		SCALE	DESIGN UNITS	THIRD ANGLE PROJECTION		
				MM/IN		1:1	METRIC			
				mm	INCH	DRAWN BY	DATE	TITLE IPASS™ (MINI-SAS) INTERNAL CABLE 36 CKT 4X W/ SIDEBANDS		
		4 PLACES	± ---	± ---		JERWIN	2006/04/25			
3 PLACES	± ---	± .01		CHECKED BY	DATE	MOLEX INCORPORATED DOCUMENT NO. SD-79576-200 SHEET NO. 2 OF 4				
2 PLACES	± 0.25	± ---		THALL	2006/04/25					
1 PLACE	± ---	± ---		APPROVED BY	DATE	THIS DRAWING CONTAINS INFORMATION THAT IS PROPRIETARY TO MOLEX INCORPORATED AND SHOULD NOT BE USED WITHOUT WRITTEN PERMISSION				
				DDOYE	2006/04/25					
		ANGULAR ± 1 °		MATERIAL NO.						
		DRAFT WHERE APPLICABLE MUST REMAIN WITHIN DIMENSIONS		SEE CHART						

5

4

3

2

1

6

5

4

3

2

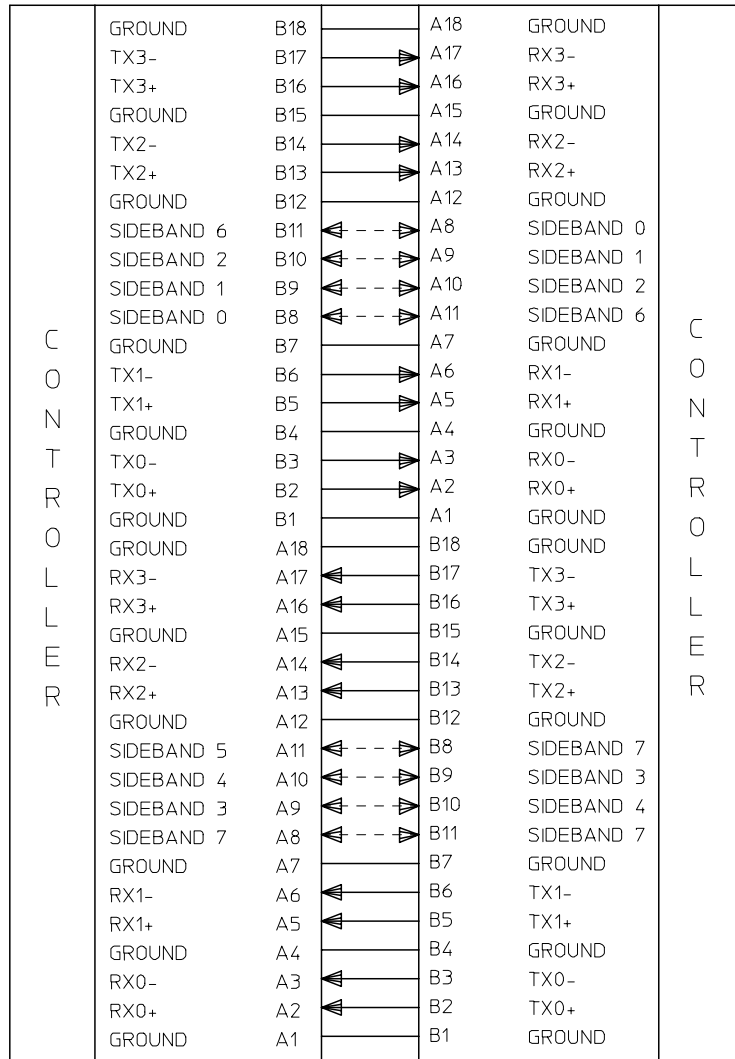
1

D

C

B

A

C
O
N
T
R
O
L
L
E
RC
O
N
T
R
O
L
L
E
RP
I
N
O
U
T
2

NOTE

1. FOR CONTROLLER TO CONTROLLER.
2. ALL SIGNAL GROUNDS ARE BUSSED IN PCB.

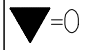
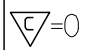
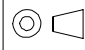

D

C

B

A

IPASS™ IS A TRADEMARK OF MOLEX

ENTER DESCRIPTION EC NO: USY2006-0363 DRWN: JERWIN 2006/05/04 CHKD: THALL 2006/05/04 APPR: DDOYE 2006/05/08 J	QUALITY SYMBOLS  = 0  = 0	GENERAL TOLERANCES (UNLESS SPECIFIED)		DIMENSION STYLE MM/IN		SCALE 1:1	DESIGN UNITS METRIC	 THIRD ANGLE PROJECTION	
			mm	INCH	DRAWN BY JERWIN	DATE 2006/04/25	TITLE IPASS (MINI-SAS) INTERNAL CABLE 36 CKT 4X W/ SIDEBANDS		
		4 PLACES	± ---	± ---	CHECKED BY THALL	DATE 2006/04/25			
		3 PLACES	± ---	± .01	APPROVED BY DDOYE	DATE 2006/04/25	 MOLEX INCORPORATED		
		2 PLACES	± 0.25	± ---	MATERIAL NO. SEE CHART	DOCUMENT NO. SD-79576-200			
1 PLACE	± ---	± ---	ANGULAR ± 1 °		THIS DRAWING CONTAINS INFORMATION THAT IS PROPRIETARY TO MOLEX INCORPORATED AND SHOULD NOT BE USED WITHOUT WRITTEN PERMISSION				

DRAFT WHERE APPLICABLE
MUST REMAIN
WITHIN DIMENSIONSSIZE
A

5

4

3

2

1

6

5

4

3

2

1

D

C

B

A

GROUND	B18		A18	GROUND
TX3-	B17	▶	A17	RX3-
TX3+	B16	▶	A16	RX3+
GROUND	B15		A15	GROUND
TX2-	B14	▶	A14	RX2-
TX2+	B13	▶	A13	RX2+
GROUND	B12		A12	GROUND
GROUND	B7		A7	GROUND
TX1-	B6	▶	A6	RX1-
TX1+	B5	▶	A5	RX1+
GROUND	B4		A4	GROUND
TX0-	B3	▶	A3	RX0-
TX0+	B2	▶	A2	RX0+
GROUND	B1		A1	GROUND
GROUND	A18		B18	GROUND
RX3-	A17	◀	B17	TX3-
RX3+	A16	◀	B16	TX3+
GROUND	A15		B15	GROUND
RX2-	A14	◀	B14	TX2-
RX2+	A13	◀	B13	TX2+
GROUND	A12		B12	GROUND
GROUND	A7		B7	GROUND
RX1-	A6	◀	B6	TX1-
RX1+	A5	◀	B5	TX1+
GROUND	A4		B4	GROUND
RX0-	A3	◀	B3	TX0-
RX0+	A2	◀	B2	TX0+
GROUND	A1		B1	GROUND

P
I
N
O
U
T

NOTE

1. FOR NO SIDE BANDS
2. ALL SIGNAL GROUNDS ARE BUSSED IN PCB.

IPASSTM IS A TRADEMARK OF MOLEX

ENTER DESCRIPTION EC NO: USY2006-0363 DRWN: JERWIN CHKD: THALL APPR: DDOYE	2006/05/04 2006/05/04 2006/05/08	QUALITY SYMBOLS =0 =0	GENERAL TOLERANCES (UNLESS SPECIFIED)		DIMENSION STYLE MM/IN		SCALE 1:1	DESIGN UNITS METRIC	THIRD ANGLE PROJECTION		
				mm	INCH	DRAWN BY JERWIN	DATE 2006/04/25	TITLE IPASS (MINI-SAS) INTERNAL CABLE 36 CKT 4X W/ SIDEBANDS			
			4 PLACES	± ---	± ---	CHECKED BY THALL	DATE 2006/04/25				
			3 PLACES	± ---	± .01	APPROVED BY DDOYE	DATE 2006/04/25	MOLEX INCORPORATED		MATERIAL NO. SEE CHART	DOCUMENT NO. SD-79576-200
2 PLACES	± 0.25	± ---	ANGULAR ± 1 °		DRAFT WHERE APPLICABLE MUST REMAIN WITHIN DIMENSIONS		THIS DRAWING CONTAINS INFORMATION THAT IS PROPRIETARY TO MOLEX INCORPORATED AND SHOULD NOT BE USED WITHOUT WRITTEN PERMISSION				
1 PLACE	± ---	± ---									

5

4

3

2

1