

Fig. 1

1. INTRODUCTION

AMP Extraction Tool 91124-1 is designed for removing both male and female Type XII contacts from various AMP connectors. Read these instructions thoroughly before extracting any contacts.

NOTE

All dimensions presented on this instruction sheet are in inches, unless otherwise stated.

2. DESCRIPTION

This tool features a plastic handle with two metal tool tips for releasing the contact locking latches (see Figure 1).

3. EXTRACTION PROCEDURES

The following procedures apply to both male and female contacts and to all connectors that accept these contacts. Refer to Figure 2 and proceed as follows:

1. Align tool tips with contact cavity offsets on mating face of connector.
2. Insert tips straight into cavity until they bottom. The locking latches are now released.
3. Holding tool in position grasp wire and pull contact straight out BACK of connector.
4. Remove tool from cavity.

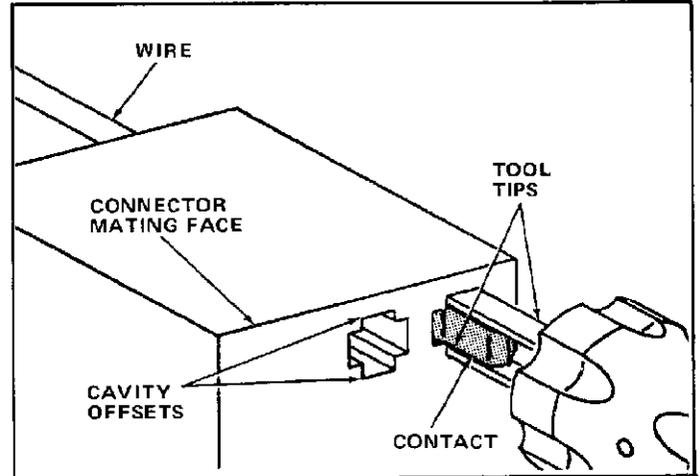


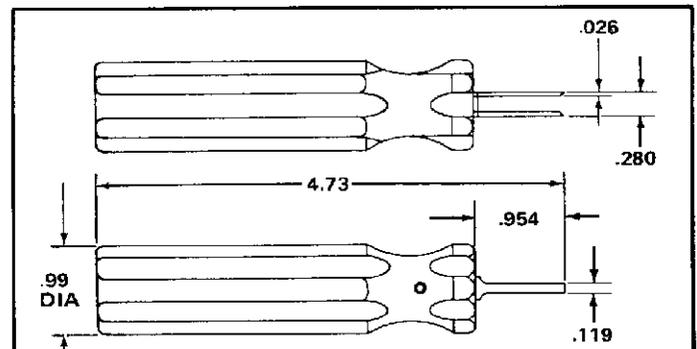
Fig. 2

4. TOOL CERTIFICATION

AMP Extraction Tool 91124-1 should be certified with the information provided in Figure 3. It is recommended that the tool be inspected immediately upon arrival in your factory, and at regularly scheduled intervals, to assure that the tool has not been damaged during handling.

Additional tools can be purchased from:

AMP Incorporated
Eisenhower Boulevard
Harrisburg, Pennsylvania 17105



EXTRACTION TOOL	PRODUCT DESIGNED FOR
91124-1	AMP Type XII Male and Female Contacts
DATE	ENGINEER APPROVAL
6/30/76	<i>Hall</i>

Fig. 3

Copyright 1976 by AMP Incorporated, Harrisburg, Pa. All International Rights Reserved. AMP Incorporated Products covered by U.S. and foreign patents and/or patents pending.