

## SMD Super Bright LED

### Right Angle Surface Mount LED

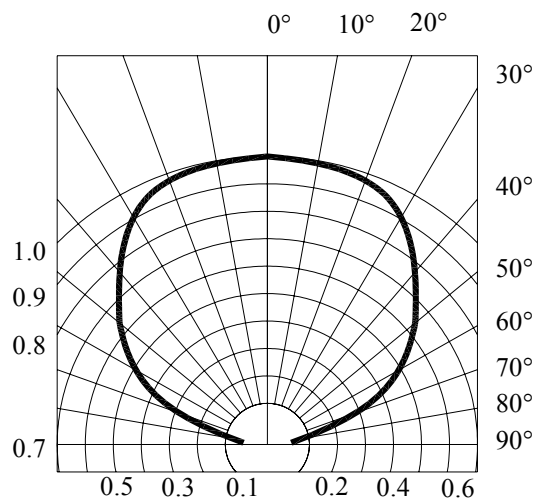
#### Features:

- Side Emitting LED
- Wide Viewing Angle
- Low Profile Package

#### Maximum Ratings at Ta=25°C

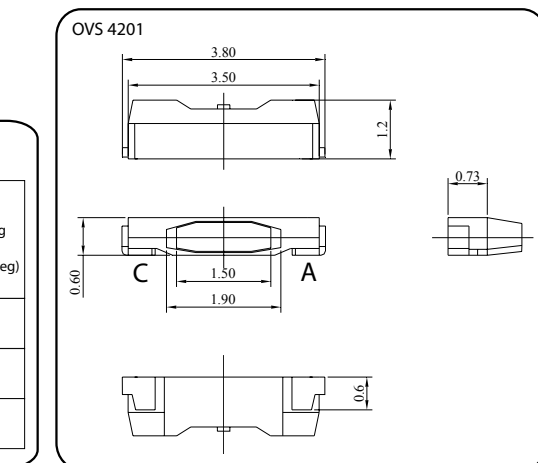
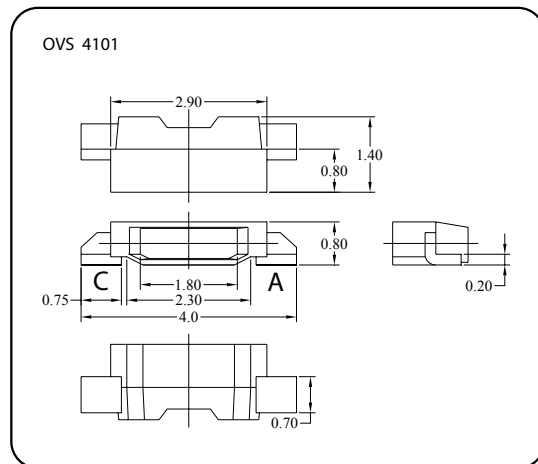
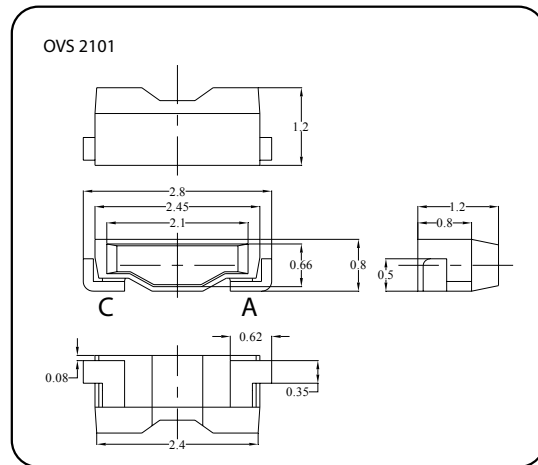
Reverse Voltage (<math><100\mu A</math>) ..... 5.0V  
 D.C. Forward Current ..... 30mA  
 Pulse Current ..... 100mA  
 (Pulse Width of 0.1ms, 1/10 Duty Cycle)  
 Operating Temperature Range .. -25 to +85°C  
 Storage Temperature Range ..... -40 to +100°C  
 Soldering Temperature ..... 260°C for 5 secs  
 (Reflow Soldering)

#### Radiation Diagram(s)



#### Electrical & Optical Characteristics at Ta=25°C

Ant Part No.	LED Chip		Co-Ordinates for CIE Chromaticity at 20mA		Luminous Intensity (mcd) at 20mA		Forward Voltage (V) at 20mA		Viewing Angle 2θ°(deg)
	Material	Lens Colour	X Axis	Y Axis	min.	max.	typ.	max.	
OVS-2101	InGaN/Sapphire	Water Clear	0.31	0.30	900	1300	3.2	4.0	120
OVS-4101	InGaN/Sapphire	Water Clear	0.31	0.30	900	1300	3.2	4.0	120
OVS-4201	InGaN/Sapphire	Water Clear	0.31	0.30	700	1100	3.2	4.0	120



Disclaimer This data sheet and its contents (the "Information") belong to the Premier Farnell Group (the "Group") or are licensed to it. No licence is granted for the use of it other than for information purposes in connection with the products to which it relates. No licence of any intellectual property rights is granted. The Information is subject to change without notice and replaces all data sheets previously supplied. The Information supplied is believed to be accurate but the Group assumes no responsibility for its accuracy or completeness, any error in or omission from it or for any use made of it. Users of this data sheet should check for themselves the Information and the suitability of the products for their purpose and not make any assumptions based on information included or omitted. Liability for loss or damage resulting from any reliance on the Information or use of it (including liability resulting from negligence or where the Group was aware of the possibility of such loss or damage arising) is excluded. This will not operate to limit or restrict the Group's liability for death or personal injury resulting from its negligence. SPC Multicomp is the registered trademark of the Group. © Premier Farnell plc 2008.