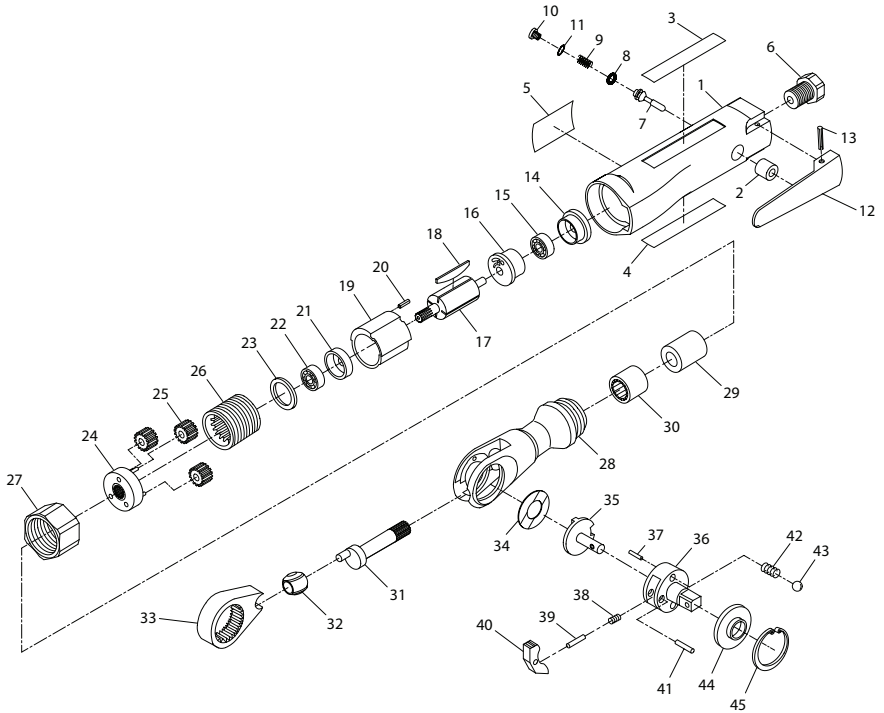


# 170 and 1770 Air Ratchet Wrench Exploded Diagram



(Dwg. TP2280)

## 170 and 1770 Air Ratchet Wrench Parts List

Item	Part Description	Part Number	Item	Part Description	Part Number
	Housing Assembly		27	Coupling Nut	170-27
	for 170	170-A40		Ratchet Housing Assembly	170-A322
	for 1770	1770-A40	28	Ratchet Housing	
1	Housing		29	Crankshaft Bushing	
2	Valve Bushing		30	Crankshaft Needle Bearing	
3	Nameplate		31	Crankshaft	170-35
	for 170	170-301	32	Drive Bushing	170-36
	for 1770	1770-301	33	Yoke	109XPA-37
4	Logo Label	170-300		Ratchet Head Kit	
5	Warning Label	WARNING-30-99		for 170	170-TRK1
6	Inlet Bushing Assembly	170-565		for 1770	1770-TRK1
	Throttle Kit	170-TK	34	Wear Washer	
7	Throttle Valve		35	Reverse Button	
8	Throttle Valve O-ring		36	Anvil Assembly	
9	Throttle Valve Spring			for 170	170-A44
10	Valve Plug			for 1770	1770-A44
11	Valve Plug O-ring		37	Reverse Button Stop Pin	
	Trigger Lever Kit	170-LK	38	Lock Spring	
12	Trigger Lever		39	Lock Pin	
13	Trigger Lever Pin		40	Pawl	
	Motor Assembly	170-MK	41	Pawl Retaining Pin	
14	End Cap		42	Friction Spring (2)	
15	Rear Rotor Bearing		43	Friction Ball (2)	
16	Rear End Plate		44	Thrust Washer	
17	Rotor		45	Retaining Ring	
18	Vane (4)			Oil - Ingersoll Rand No. 10 (4 oz. bottle)	10Z4
19	Cylinder			Grease (for Gearing)	
20	Motor Alignment Pin			Ingersoll Rand No. 67 (1 lb can)	67-1 LB
21	Front End Plate			Ingersoll Rand No. 67 (8 lb can)	67 8 LB
22	Front Rotor Bearing			Grease (for Ratchet Head)	
23	Spacer			Ingersoll Rand No. 70 (1 lb can)	70 1 LB
	Gearing Kit	170-GK		Ingersoll Rand No. 70 (8 lb can)	70 8 LB
24	Spindle Assembly				
25	Planet Gear (3)				
26	Internal Gear				

### Parts and Maintenance

When the life of the tool has expired, it is recommended that the tool be disassembled, degreased and parts be separated by material so that they can be recycled.

Tool repair and maintenance should only be carried out by an authorized Service Center.

Refer all communications to the nearest **Ingersoll Rand** Office or Distributor.

### Related Documentation

For additional information refer to:

Air Ratchet Wrench Product Safety Information Manual 04580361.

Air Ratchet Wrench Product Information Manual 04585030.

Manuals can be downloaded from [www.irtools.com](http://www.irtools.com).

