

IEC Appliance Connector I for Cable Mounting, 70°C

NEW

4789

**Description**

- Rewireable plug for cable 90° entry:
- Screwing cable terminal
- Inlet, Pin temperature 70 °C, Protection class I
- Screw Clamp

Characteristics

- Qualified for use in equipment according IEC/EN 60950

Weblinks

Approvals: <http://www.schurter.com/approvals>
 RoHS: <http://www.schurter.com/rohs>

Technical Data

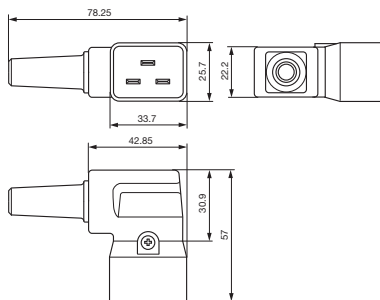
| | |
|---------------------------|---|
| Ratings IEC | 16 A / 250 VAC; 50 Hz |
| Ratings UL/CSA | 21 A / 250 VAC; 60 Hz |
| Dielectric Strength | > 2 kVAC between L-N > 2 kVAC between L/N-PE (1 min/50 Hz) |
| Allowable Operation Temp. | -25 °C to 70 °C |
| Protection Class | Suitable for appliances with protection class I acc. to IEC 61140 |
| Terminal | Screw |
| Material: Housing | Thermoplastic, black, UL 94V-0 |

| | |
|--------------------------|--|
| Appliance-Inlet /-Outlet | I acc. to IEC/EN 60320-2-2, UL 498, CSA C22.2 no. 42 (for cold condition) pin-temperature 70 °C, 16 A, Protection class I |
|--------------------------|--|

Dimensions

4789

Length |-----| 78 mm

**Variants**

| Color | Max. cable diameter | Max. wire size | Order Number |
|-------|---------------------|--------------------------------------|--------------|
| black | 8.7 mm | 3 x 1.5 mm ² / 3 x 16 AWG | 4789.1100 |
| black | 10.0 mm | 3 x 2 mm ² / 3 x 14 AWG | 4789.1200 |

Max. torque for screws: Terminal: 0.5 Nm, Cable clamp: 0.3 Nm, Cover: 0.3 Nm

Packaging unit

100 Pcs