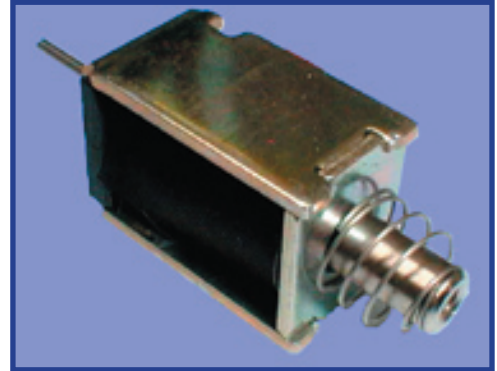


Solenoids

Series 44A Small, short stroke, high force solenoid



GENERAL DESCRIPTION

AC & DC types

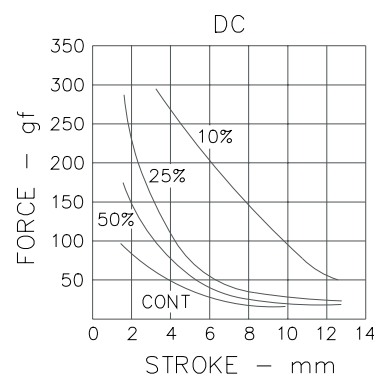
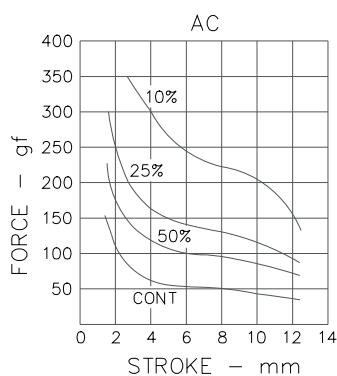
Pull & thrust versions

Shading ring for quiet AC operation

PERFORMANCE

| | Item | Specification |
|------------|--|---|
| ELECTRICAL | Maximum Ontime | See table below |
| | Closed power (continuous rating) | AC: 4.3VA DC: 3.0W |
| | Maximum permissible voltage Dielectric Strength Insulation | 240V 1500V RMS 50Hz All coils tested to frame at 1500V RMS 50Hz |
| MECHANICAL | Weight | 47.5g Plunger: 8.5g |
| | Ambient temperature | The information given on this page is based on room temperature of 20 C allowing for a nominal 75 C temperature rise in coil. |
| | Force/Stroke curve | These force curves show average performance only. In addition to normal manufacturing tolerances, deviations can be expected at some voltages due to the coil winding tolerances. |

FORCE/STROKE CURVES & ON TIME

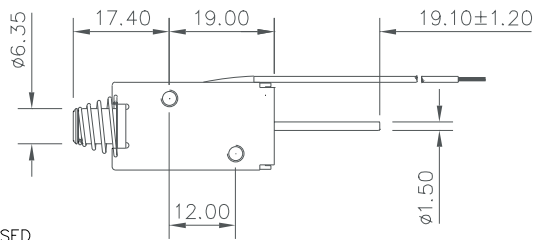


MAXIMUM ON TIME

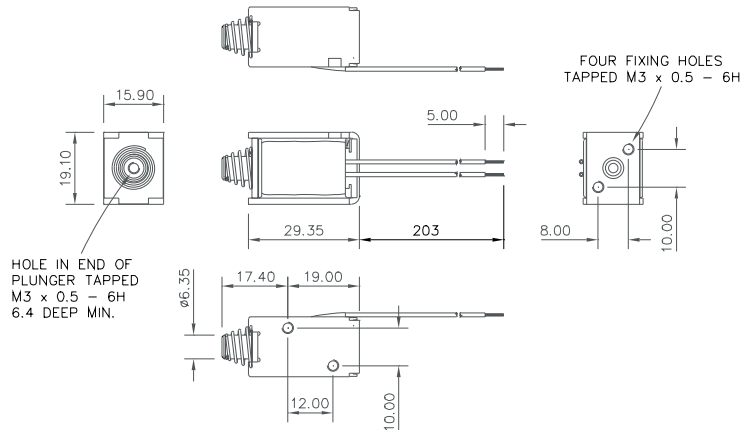
| | 10% | | 25% | | 50% | |
|----|---------|-------------|---------|--------------|---------|---------------|
| | 1 cycle | Cont. cycle | 1 cycle | Cont cycling | 1 cycle | Cont. cycling |
| AC | 10 sec | 6 sec | 45 sec | 30 sec | 2.5 min | 1.5 min |
| DC | 20 sec | 13 sec | 45 sec | 30 sec | 2.0 min | 1.5 min |

DIMENSIONS (mm)

PUSH TYPE – SHOWN ENERGISED



PULL TYPE – SHOWN ENERGISED



CODING



| | |
|----------------------|---|
| AC | 1 |
| DC | 6 |
| Pull | 1 |
| Push | 2 |
| STANDARD | 0 |
| With Push Off Spring | 1 |

| COIL | COIL | | | |
|---------------|-------|-----|-----|-----|
| | Cont. | 50% | 25% | 10% |
| 115V AC 50 Hz | 15 | 16 | 17 | 18 |
| 220V AC 50Hz | 23 | 24 | 25 | 26 |
| 230V AC 50Hz | 39 | 40 | 41 | 42 |
| 6V DC | 54 | 55 | 56 | 57 |
| 12V DC | 62 | 63 | 84 | 85 |
| 24V DC | 72 | 73 | 74 | 75 |
| 50V DC | 84 | 85 | 86 | 87 |

| | |
|----------------|---|
| Standard Leads | 0 |
| Solder Tags | 3 |



BLP products are designed, manufactured and tested to ISO 9001 quality standards.
BLP Reserve the right to change without prior notice the information contained in this leaflet.

BLP Components Ltd., Exning Rd, Newmarket, Suffolk CB8 0AX, England
Tel: +44 (0)1638 665161 Fax: +44 (0)1638 660718 Email: sales@blpcomp.com Website: http://www.blpcomp.com