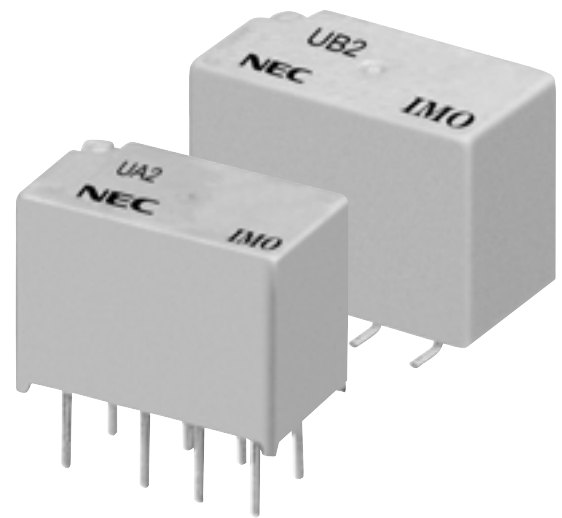


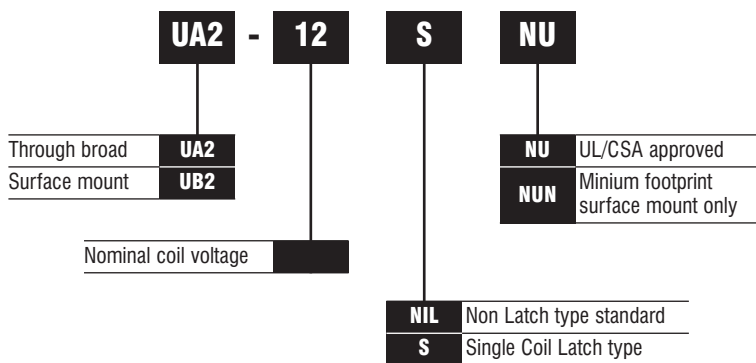
New Generation DPDT Subminiature Signal Relay UA2/UB2



- Compact and light weight
- 2 Form C Contact arrangement
- Low power consumption (140mW)
- UL Recognised, CSA Certified
- Tube or taped packaging
- Super high density mounted
- Meets Bell-Core standard requirements
- Meets IEC950/UL1950/EN60950 insulation distance



Options and ordering codes



Contact Data

| | |
|----------------------------|---|
| Contact form | 2 Form C |
| Contact rating | |
| Max. switching power | 30W/37.5VA |
| Max. switching voltage | 220Vdc/250Vac |
| Max. switching current | 1A |
| Max. carrying current | 1A |
| Initial contact resistance | Maximum 100mΩ (initial) |
| Contact material | Silver alloy with gold overlay |
| Nominal operating power | |
| Non-latch type | 140mW (230mW for 24V) |
| Single coil latch type | 100mW (120mW for 24V) |
| Running specifications | |
| Nonload | 5x10 ⁷ ops 1x10 ⁷ ops for latching types |
| Load | 1x10 ⁵ (30VDC-1A resistive) 1x10 ⁵ (125VAC-0.3A (resistive)) |

Characteristics

| | | |
|---------------------------------|---------------------------------|--|
| Operate time (excluding bounce) | Approx. 4ms without diode | |
| Release time (excluding bounce) | Approx. 4ms without diode | |
| Insulation resistance | 1000MΩ at 500 VDC | |
| Breakdown voltage | Between open contact | 1000VAC 1min (1500V surge, 10x160μs FCC Part 68) |
| | Between adjacent contacts | 1000VAC 1min (1500V surge, 10x160μs FCC Part 68) |
| | Between coil to contacts | 1500VAC 1min, 2500V surge (2x10μs Bell-Core) |
| Shock resistance | 735mm/s ² | |
| Vibration resistance | 10-55Hz, double amplitude 3.3mm | |
| Ambient temperature | -40 to 85°C | |
| Weight | Approx. 1 gram | |

New Generation DPDT Subminiature Signal Relay UA2/UB2



Coil Data

Non-latch type

20 °C

| Part Number | Nominal Coil Voltage VDC | Coil Resistance $\Omega \pm 10\%$ | Operate Voltage (VDC) | Release Voltage (VDC) | Nominal operate power |
|---------------------|--------------------------|-----------------------------------|------------------------|------------------------|-----------------------|
| UA2-1.5NU/UB2-1.5NU | 1.5 | 16 | 75% of nominal voltage | 10% of nominal voltage | 140mW |
| UA2-3NU/UB2-3NU | 3 | 64.3 | | | 140mW |
| UA2-4.5NU/UB2-4.5NU | 4.5 | 145 | | | 140mW |
| UA2-5NU/UB2-5NU | 5 | 178 | | | 140mW |
| UA2-6NU/UB2-6NU | 6 | 257 | | | 140mW |
| UB2-9NU/UB2-9NU | 9 | 579 | | | 140mW |
| UB2-12NU/UB2-12NU | 12 | 1028 | | | 140mW |
| UA2-24NU/UB2-24NU | 24 | 2504 | | | 230mW |

Single coil latch type

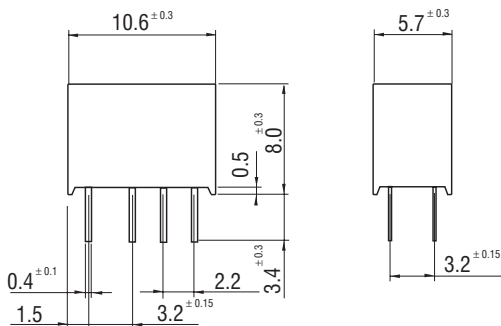
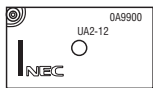
20 °C

| Part Number | Nominal Coil Voltage VDC | Coil Resistance $\Omega \pm 10\%$ | Operate Voltage (VDC) | Release Voltage (VDC) | Nominal operate power |
|-----------------------|--------------------------|-----------------------------------|------------------------|------------------------|-----------------------|
| UA2-1.5NUS/UB2-1.5SNU | 1.5 | 22.5 | 75% of nominal voltage | 10% of nominal voltage | 100mW |
| UA2-3SNU/UB2-3SNU | 3 | 90 | | | 100mW |
| UA2-4.5SNU/UB2-4.5SNU | 4.5 | 202.5 | | | 100mW |
| UA2-5SNU/UB2-5SNU | 5 | 250 | | | 100mW |
| UA2-6SNU/UB2-6SNU | 6 | 360 | | | 100mW |
| UB2-9SNU/UB2-9SNU | 9 | 810 | | | 100mW |
| UB2-12SNU/UB2-12SNU | 12 | 1440 | | | 100mW |
| UA2-24SNU/UB2-24SNU | 24 | 4800 | | | 120mW |

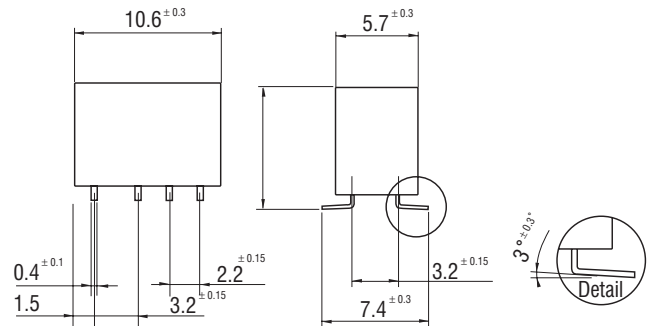
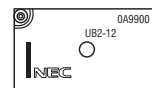
Outline dimensions (mm)

Wiring diagram and PC Board layout

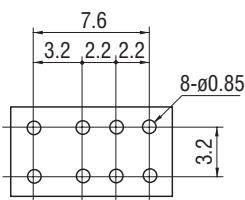
UA2



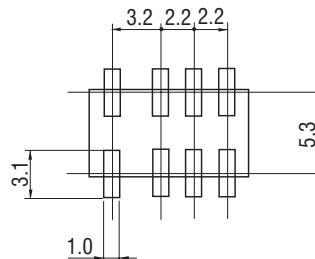
UB2



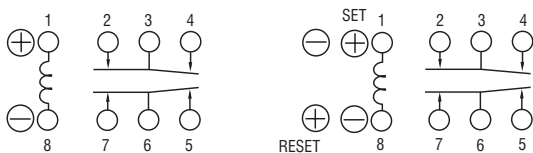
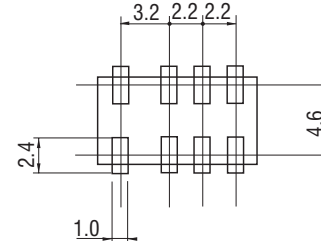
UA2



UB2-NU



UB2-NUN



Non-latch type
(Not energised position)

Single coil latch type
(reset position)