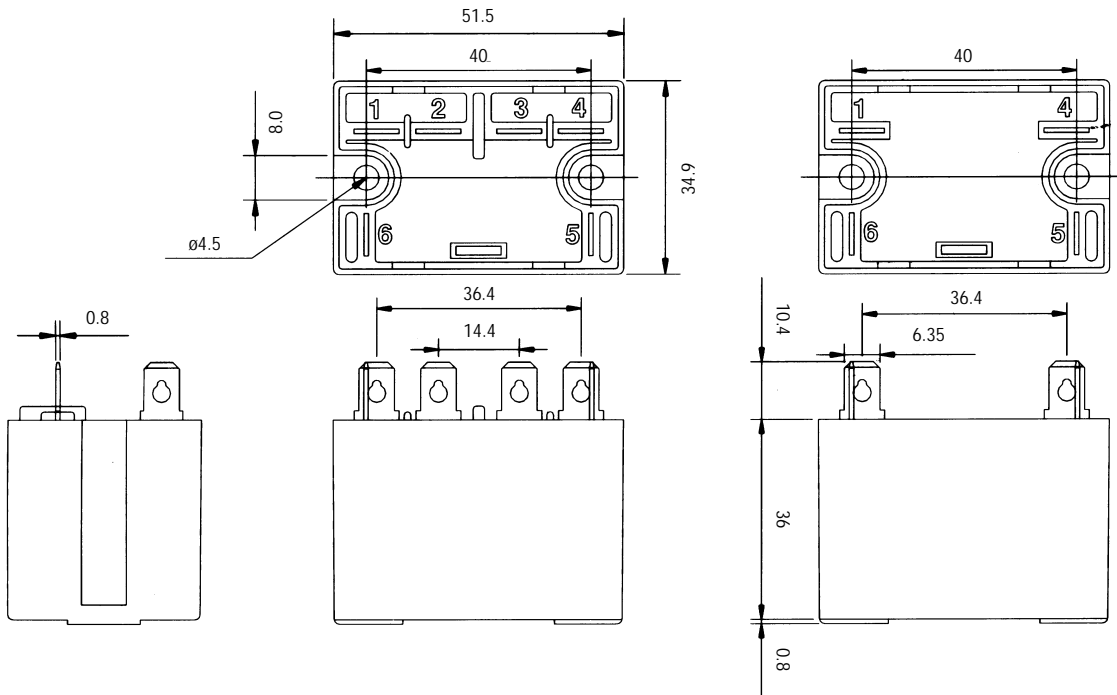


High Capacity Relay HY continued

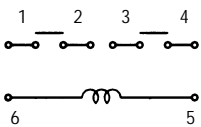


Outline dimensions (mm)

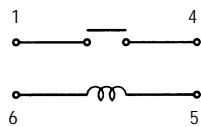


Wiring diagram

2A

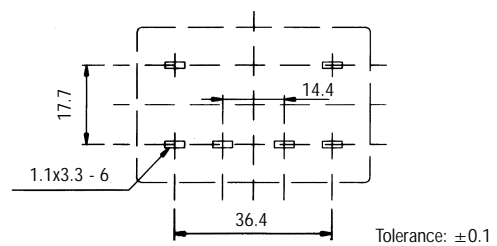


1A



PCB layout

2A



Mounting holes

