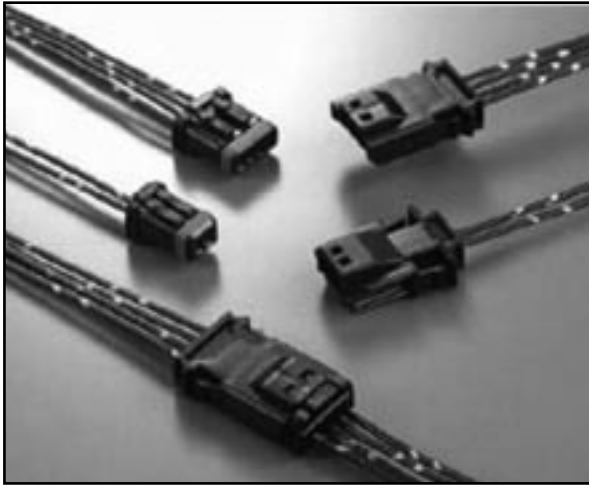


MX19 SERIES CONNECTORS

Small Waterproof Relay Connector



FEATURES

- Mechanical lock mechanism prevents incomplete mating, and improved insertion and removal.
- Improved harness assembly and insertion of terminals into housing thanks to a grommet with rear cover.
- Rear cover protects the grommet from damage on terminal insertion, withstands cable flaps, and improves waterproof reliability.
- Terminals have a two-plate spring mechanism with long beam length, which results in a low force insertion and stress dispersion. The highly reliable contact mechanism can withstand the particular types of vibration caused by an automobile.



These small waterproof relay connectors are designed for use in automotive applications. The connectors are designed to withstand harsh environments, and provide an improved harness assembly process thanks to a grommet with a rear cover. The small, proven two-plate spring mechanism improves contact reliability.

GENERAL SPECIFICATIONS

Number of Contacts	2, 4 (Colour: Black (Standard), Gray)
Contact Resistance	10 milliohm max.
Withstand Voltage	AC1000V for one minute
Operating Temperature	-40°C to +105°C including temperature rise due to applied current
Waterproofing	Compliant with JIS D0203 S1
Rated Current	5A
Insulation Resistance	100 megohm min.

Applicable Wire

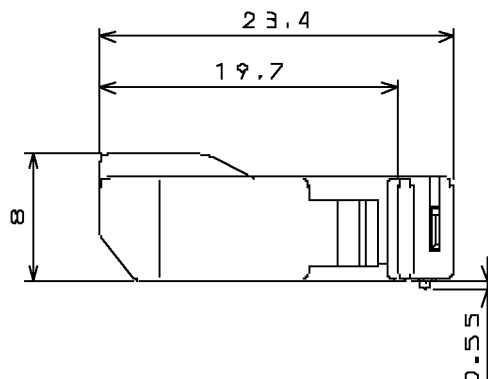
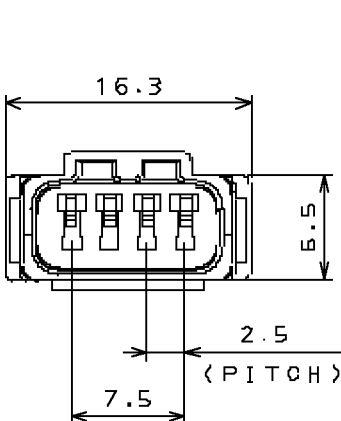
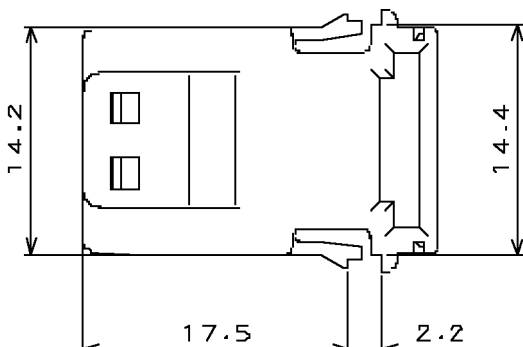
Cable Type	CAVS, AVSS
Cross Section of Conductor	0.3 to 0.5mm ²
A.W.G. No.	#22 to 20
Outer Diameter of Cable	1.4 dia. to 1.7 dia. mm

(Note) Only 0.5mm² is available for AVSS.

MATERIALS AND FINISHES*

Components	Materials/Finishes
Insulator	PBT (Black (standard) or Gray)
Contacts	Pin: Copper Alloy Socket: Copper Alloy
Grommet	Silicon Rubber (Brown)
Sealing Ring	Silicon Rubber (Brown)

Consult JAE for "Ordering Information".



• Please consult JAE for verification of product availability.

Dimensions and specifications subject to change without notice.