



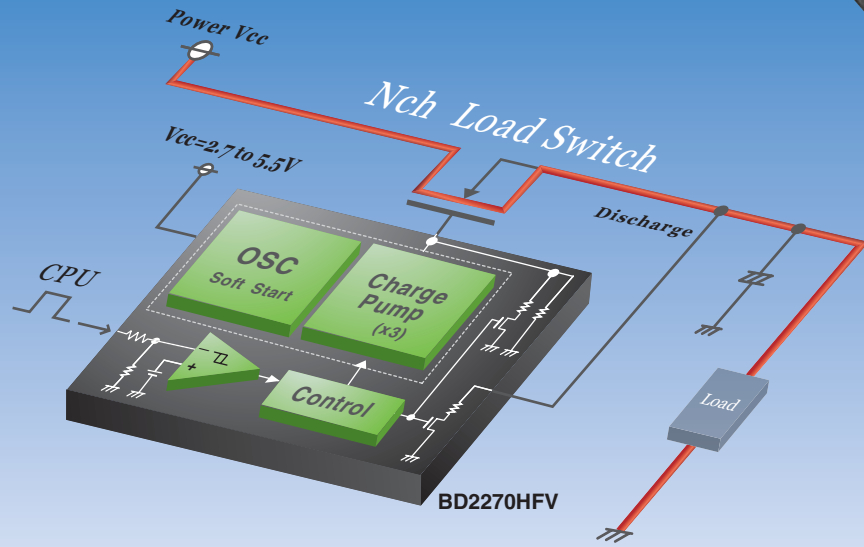
# Nch MOSFET Driver IC for Load Switching



## New Load Switch Driver IC



Nch MOSFET Driver  
**BD2270HFV**  
Vcc=2.7 to 5.5V  
Soft Start Function  
Discharge Function ( $\leq 6.0V$ )



New unprecedented high side Nch load switch driver IC

### Outline

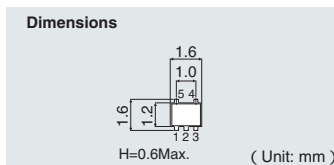
The Nch MOSFET **BD2270HFV** provides a new solution for load switching (ON/OFF) on device power supply lines. All of the required functions, including a soft start CPU interface and discharge capability, are built in.

### Features

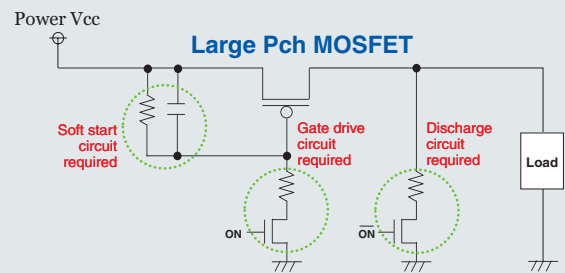
- Low voltage Nch MOSFET drive
- Max. Vcc = MOSFET VDMax.
- Built-in soft start circuit
- Equipped with discharge circuit for output charge
- Power-up sequence control enabled

### Package

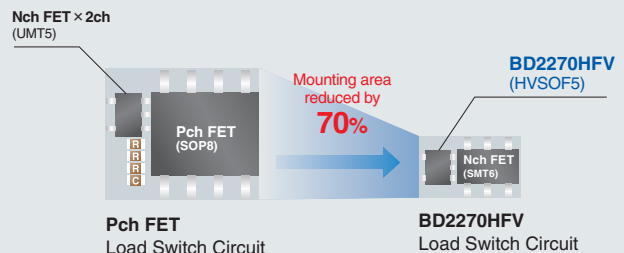
Compact package  
HVSOF5



### General Load Switch Application Circuit



### Mounting Area Comparison



Excellence in Electronics



[www.rohm.com](http://www.rohm.com)