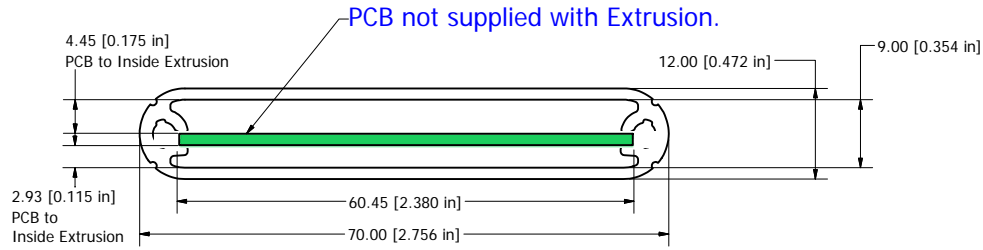
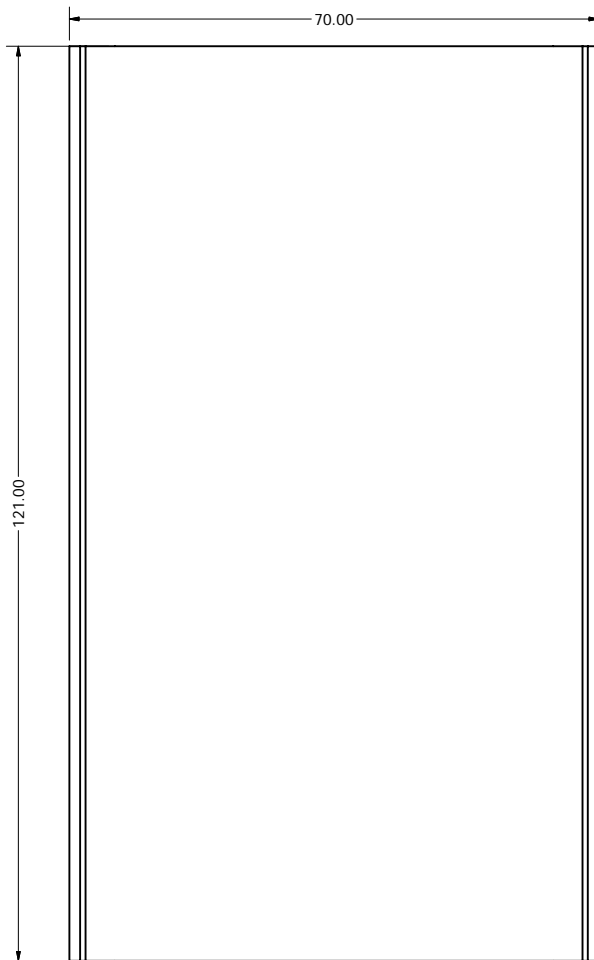


3D Models for product design in Step and Iges Available  
Consult Factory

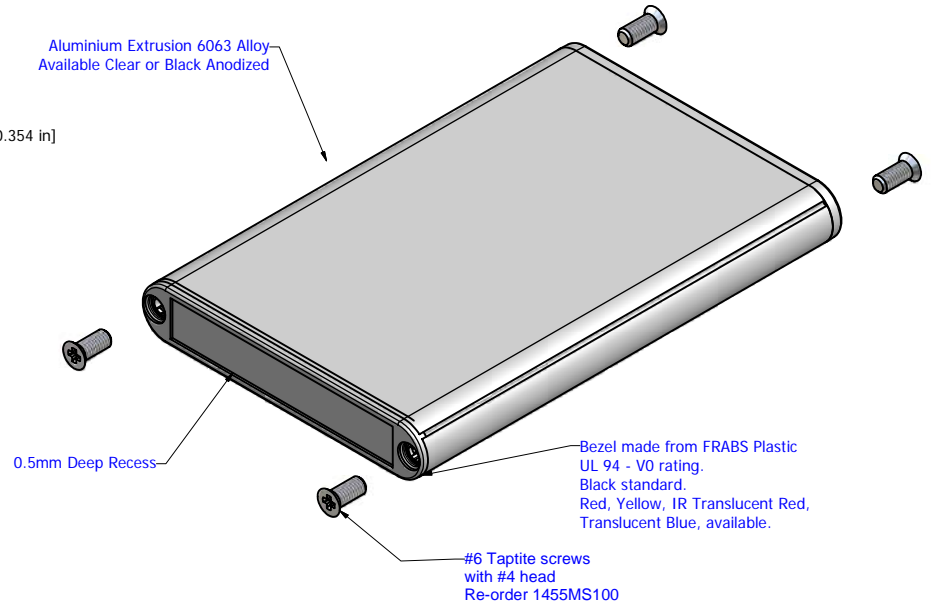
# Extrusion



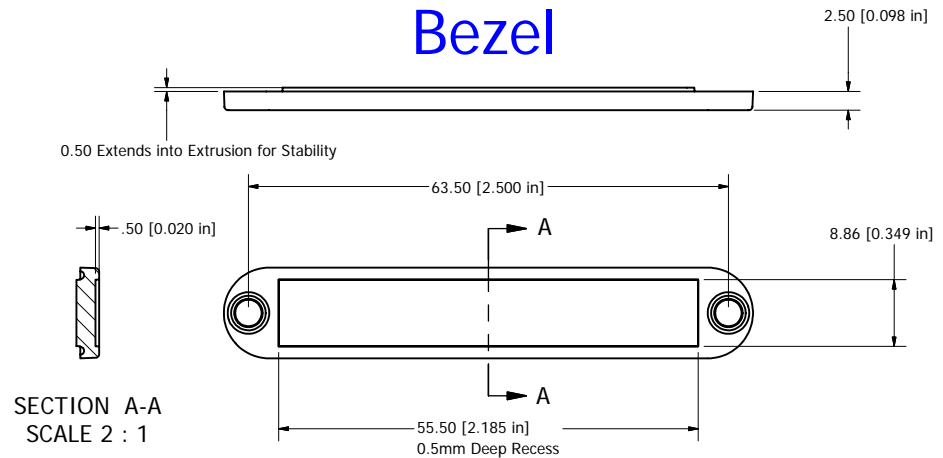
Extrusion designed for 60mm wide x 120mm long PCBs.



Aluminium Extrusion 6063 Alloy  
Available Clear or Black Anodized



# Bezel



Milling, Drilling, Printing.  
Modified Enclosures Supplied Quickly and Accurately.  
Consult factory for Price and Delivery.

**HAMMOND  
MANUFACTURING™**

**1455A1202**

[www.hammondmfg.com](http://www.hammondmfg.com)