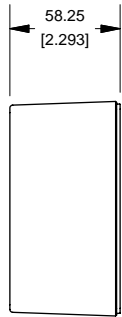
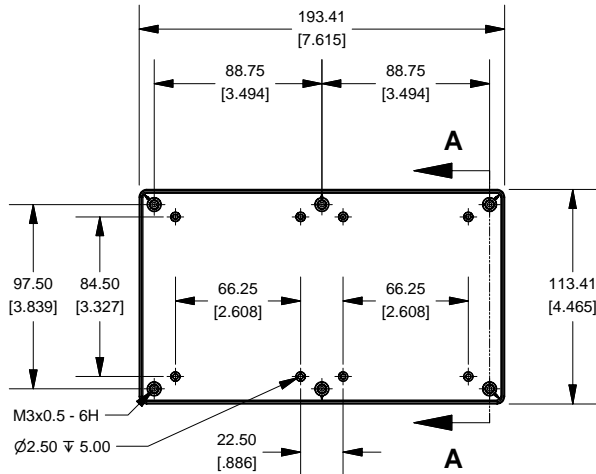


1591XXEFL Enclosure

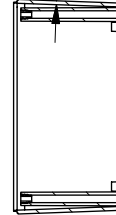


SIDE VIEW OF BOX

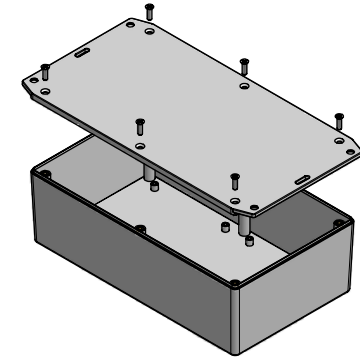


TOP VIEW OF BOX

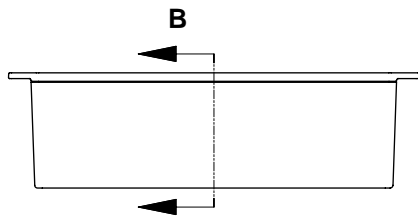
AVERAGE WALL THICKNESS
2.00
[.079]



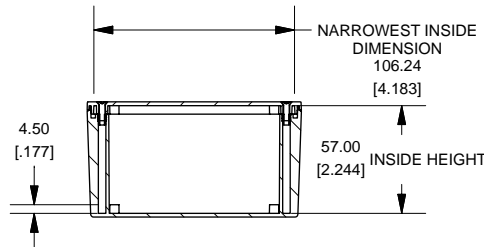
SECTION A-A
SCALE 1 / 4



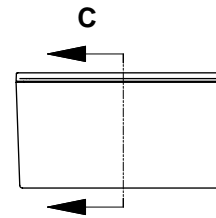
EXPLODED VIEW OF ENCLOSURE



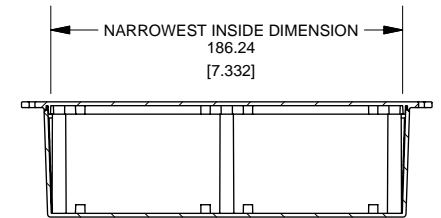
SIDE VIEW OF ENCLOSURE



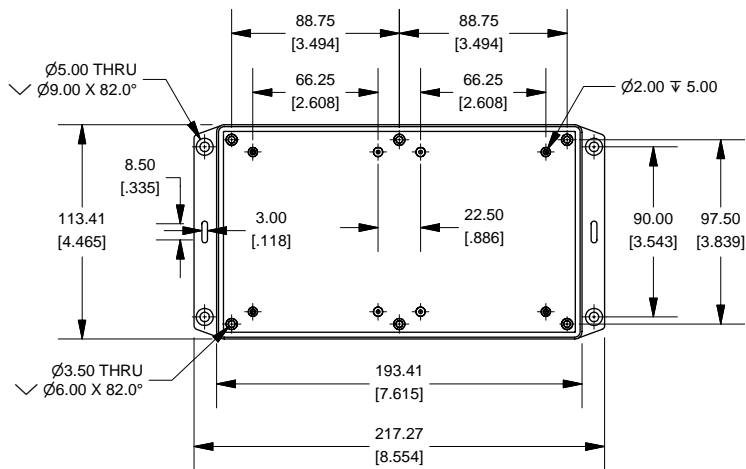
SECTION B-B
SCALE 1 / 4



END VIEW OF ENCLOSURE

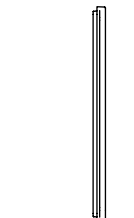


SECTION C-C
SCALE 1 / 4



BOTTOM VIEW OF LID

6.50
[.256]



SIDE VIEW OF LID

4.50
[.177]

NOTE
Purchased assembly includes lid and box made from FRABS 94-V0 material and cover screws.

1591XXEFL	
1591XXEFL Enclosure	
Flame Retardant ABS (UL94-V0)	
Black Enclosure - RAL 7011	1591XXEFLBK
ACCESSORIES	
For Flame Retardant ABS (UL94-V0)	
Black Enclosure Cover Screws (Pkg 100) [Machine Type M3-0.5 X 10mm]	1591MS100BK
P.C. Board Screws (All Boxes)	
P.C. Board Screws [#4 x 1/4" self-tapping (6.4mm)]	1593ATS50 (Pkg 50) 1593ATS100 (Pkg 100)



www.hammondmfg.com