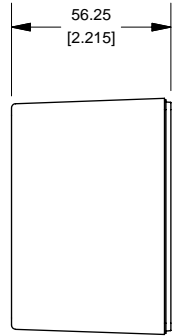
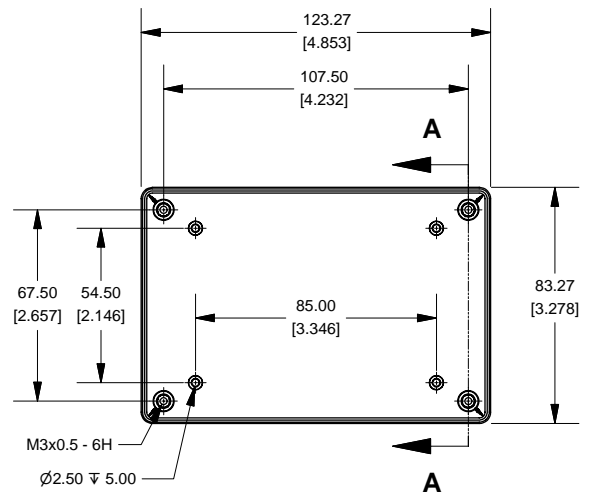


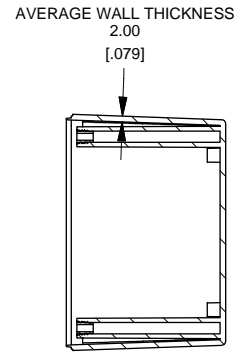
1591XXT Enclosure



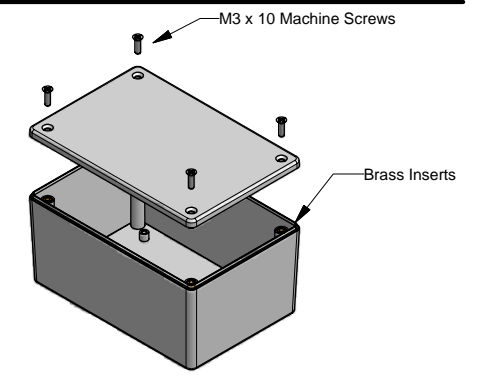
END VIEW OF BOX



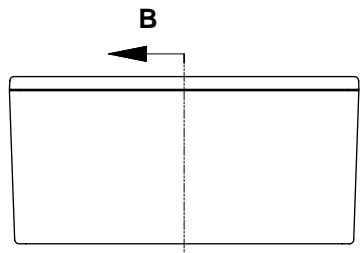
TOP VIEW OF BOX



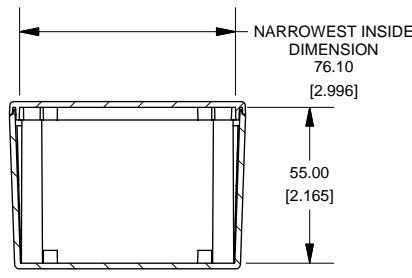
SECTION A-A



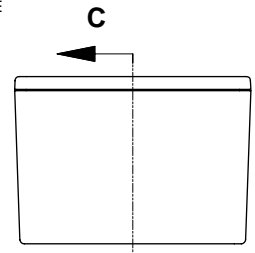
EXPLODED VIEW OF ENCLOSURE



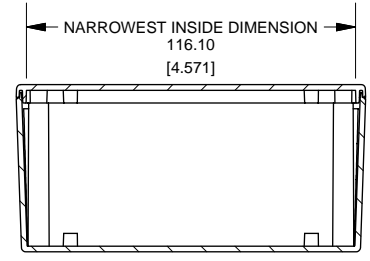
SIDE VIEW OF ENCLOSURE



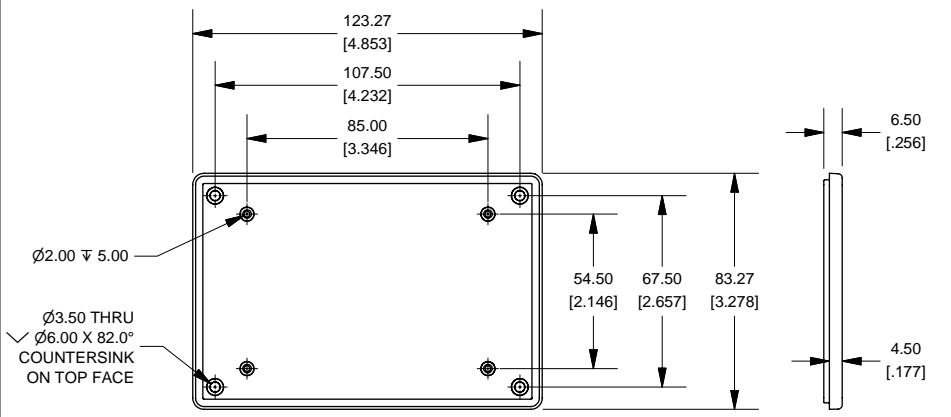
SECTION B-B



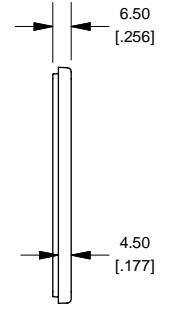
END VIEW OF ENCLOSURE



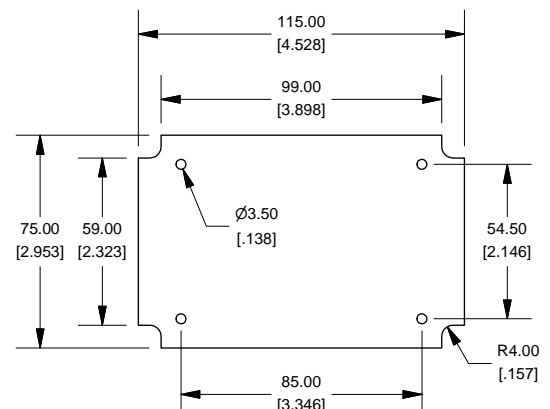
SECTION C-C



BOTTOM VIEW OF LID



SIDE VIEW OF LID



Max Size PCB. Fits in Box or in Lid.
Not supplied with Enclosure

NOTE:
Enclosures available modified, Milling, Drilling, Silk Screening.
Solid models of this enclosure available in STEP or IGES.
Contact Factory mjm@hammondmfg.com

NOTE		
Enclosure molded from FRABS UL 94-V0 Plastic. Other materials / Colours Available Consult Factory		
1591XXT		
1590XXT Enclosure		
Black Enclosure - RAL 7011	1591XXTBK	
Gray Enclosure - RAL 7035	1591XXTGY	
ACCESSORIES		
For Flame Retardant ABS (UL94-V0)		
Black Enclosure Cover Screws (Pkg 100)	1591MS100BK	
Gray Enclosure Cover Screws (Pkg 100)	1591MS100	
P.C. Board Screws (All Boxes)		
P.C. Board Screws	1593ATS50 (Pkg 50)	
[#4 x 1/4" self-tapping (6.4mm)]	1593ATS100 (Pkg 100)	

