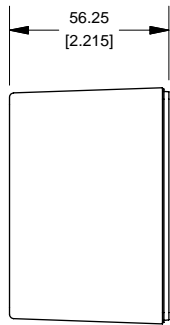
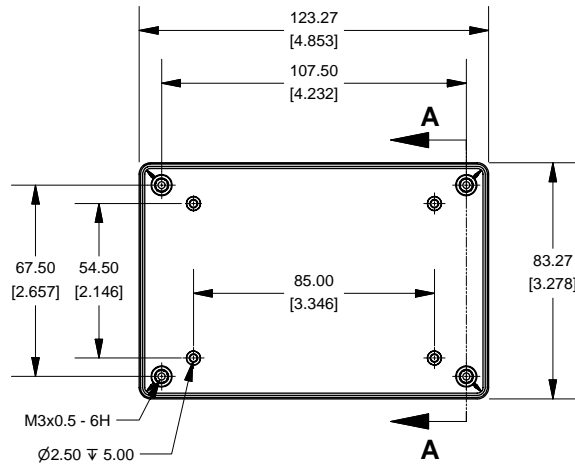


# 1591XXTFL Enclosure

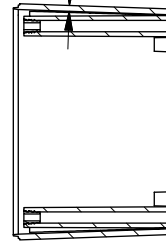


SIDE VIEW OF BOX

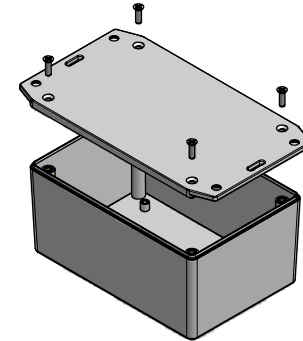


TOP VIEW OF BOX

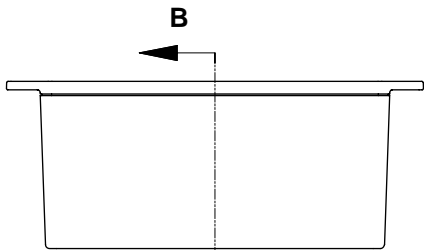
AVERAGE WALL THICKNESS  
2.00 [0.079]



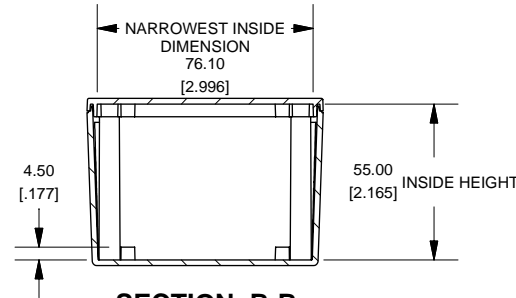
SECTION A-A  
SCALE 3 / 8



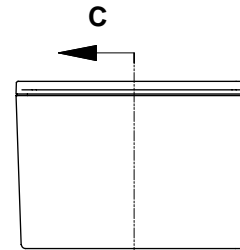
EXPLODED VIEW OF ENCLOSURE



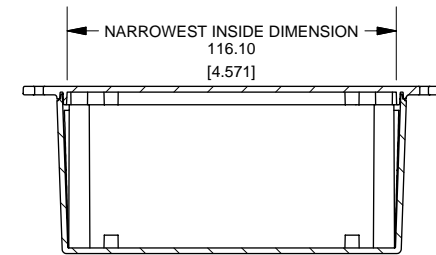
SIDE VIEW OF ENCLOSURE



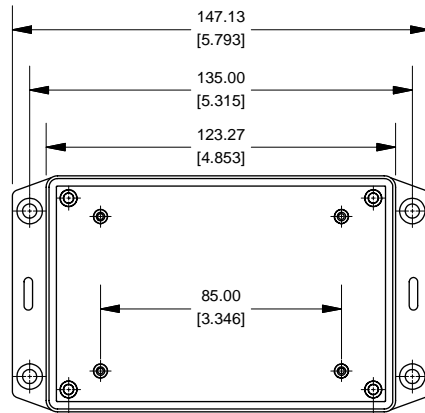
SECTION B-B  
SCALE 3 / 8



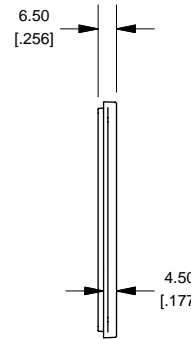
END VIEW OF ENCLOSURE



SECTION C-C  
SCALE 3 / 8



BOTTOM VIEW OF LID



SIDE VIEW OF ENCLOSURE

NOTE	
Purchased assembly includes lid and box made from FRABS 94-V0 material and cover screws.	
1591XXTFL	
1591XXTFL Enclosure	
Flame Retardant ABS (UL94-V0)	
Black Enclosure - RAL 7011	1591XXTFLBK
ACCESSORIES	
For Flame Retardant ABS (UL94-V0)	
Black Enclosure Cover Screws (Pkg 100) [Machine Type M3-0.5 X 10mm]	1591MS100BK
P.C. Board Screws (All Boxes)	
P.C. Board Screws [#4 x 1/4" self-tapping (6.4mm)]	1593ATS50 (Pkg 50) 1593ATS100 (Pkg 100)



www.hammondmfg.com