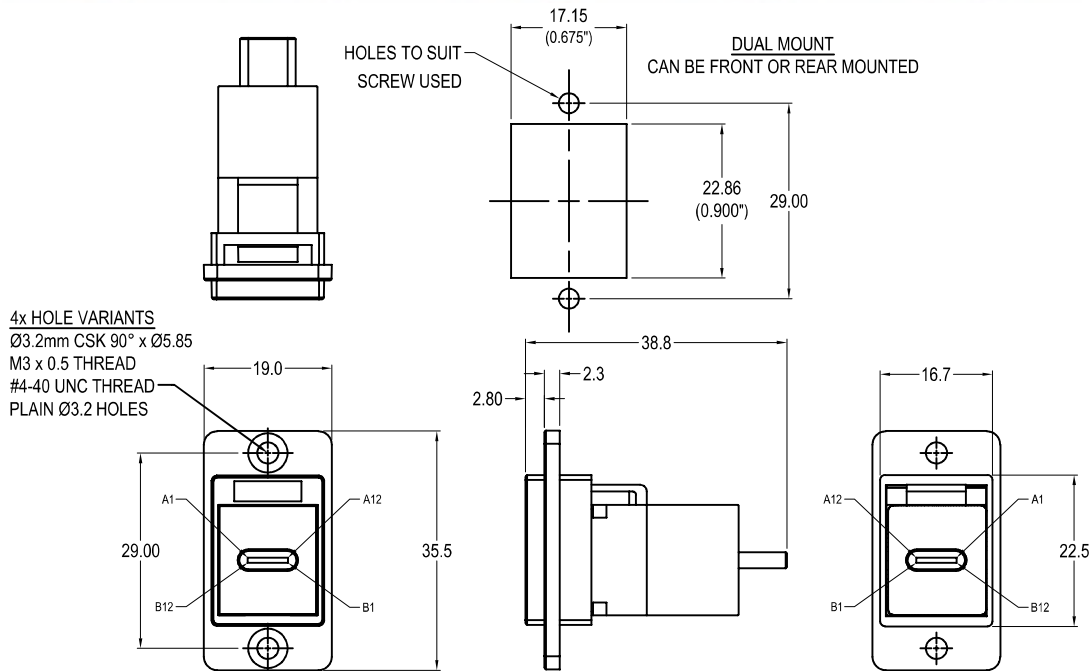


# CLIFF

## DUALSLIM USB-C Female-Male METAL FRAME FEEDTHROUGH CONNECTOR

Can be front or rear mounted in the panel



### VARIANTS

Part No.

|                     |  |
|---------------------|--|
| <b>CP30711M</b>     | DUALSLIM USB-C F-M Nickel frame, CSK holes             |
| <b>CP30711MB</b>    | DUALSLIM USB-C F-M Black metal frame, CSK holes        |
| <b>CP30711M3</b>    | DUALSLIM USB-C F-M Nickel frame, M3 holes              |
| <b>CP30711MB3</b>   | DUALSLIM USB-C F-M Black metal frame, M3 holes         |
| <b>CP30711M440</b>  | DUALSLIM USB-C F-M Nickel frame, #4-40 holes           |
| <b>CP30711MB440</b> | DUALSLIM USB-C F-M Black metal frame, #4-40 holes      |
| <b>CP30711MX1</b>   | DUALSLIM USB-C F-M Nickel frame, Ø3.2 PLAIN holes      |
| <b>CP30711MBX1</b>  | DUALSLIM USB-C F-M Black metal frame, Ø3.2 PLAIN holes |

### Feedthrough Features

- Fits standard rectangular cutout.
- Front or rear mounting through the panel.
- Various hole mounting options.
- No soldering or punch termination. Use standard cable for each connector style.
- Low rear profile.

### General:

Please note: Functionality is affected by cable quality, length and cable wiring configuration.

### Material:

1. Insert: ABS - UL94 HB
2. Frame: Diecast, Nickel or Black plated

### USB-C Specification:

Maximum Rated Current - 3A  
 Maximum Working Voltage - 30V  
 Withstanding Voltage - 100V for 1 minute.  
 Contact Resistance - 40 Milli-ohms Max.  
 Insulation Resistance - 100 Mega-ohms Min.  
 Insulator Flammability Rating - UL-94V0  
 Insertion Life - 10,000 Cycles.