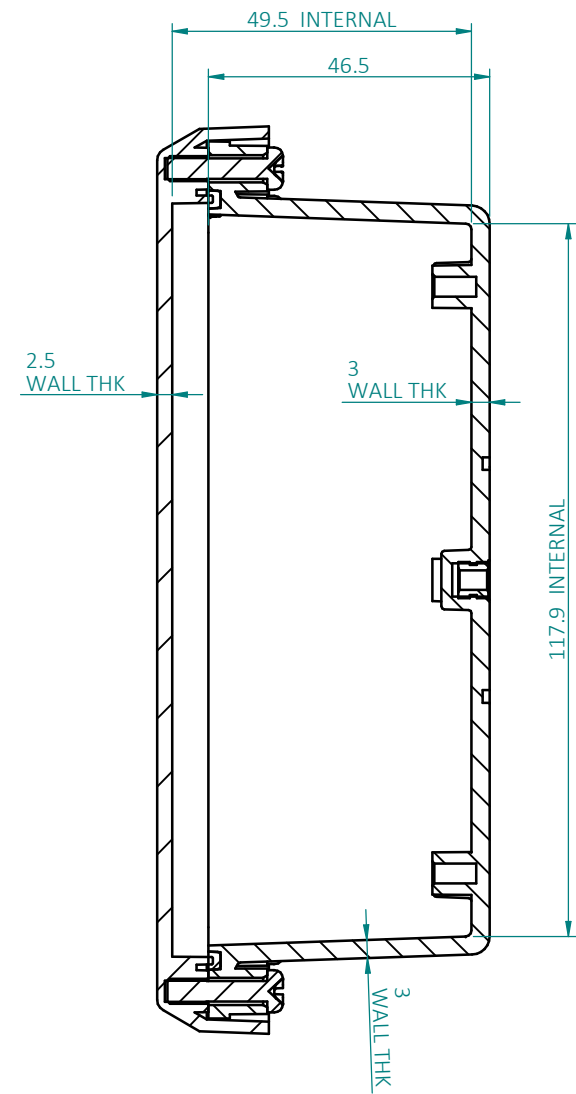
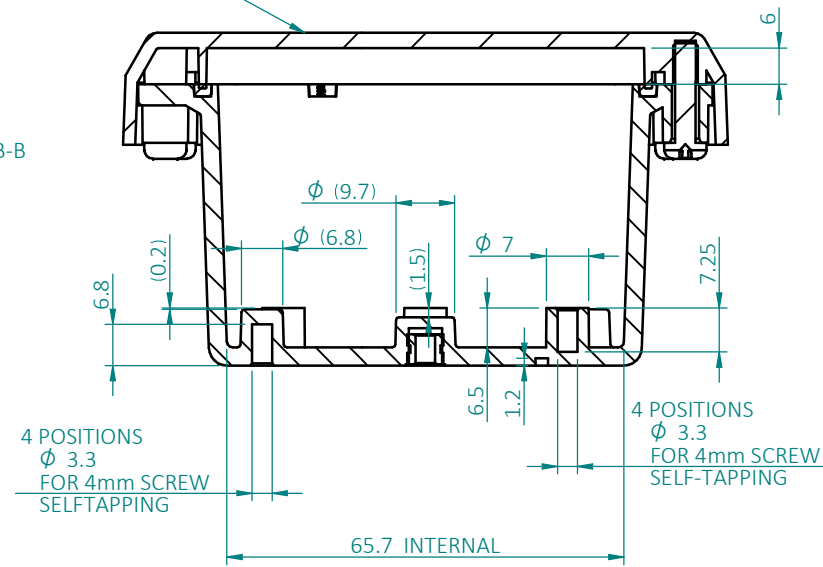


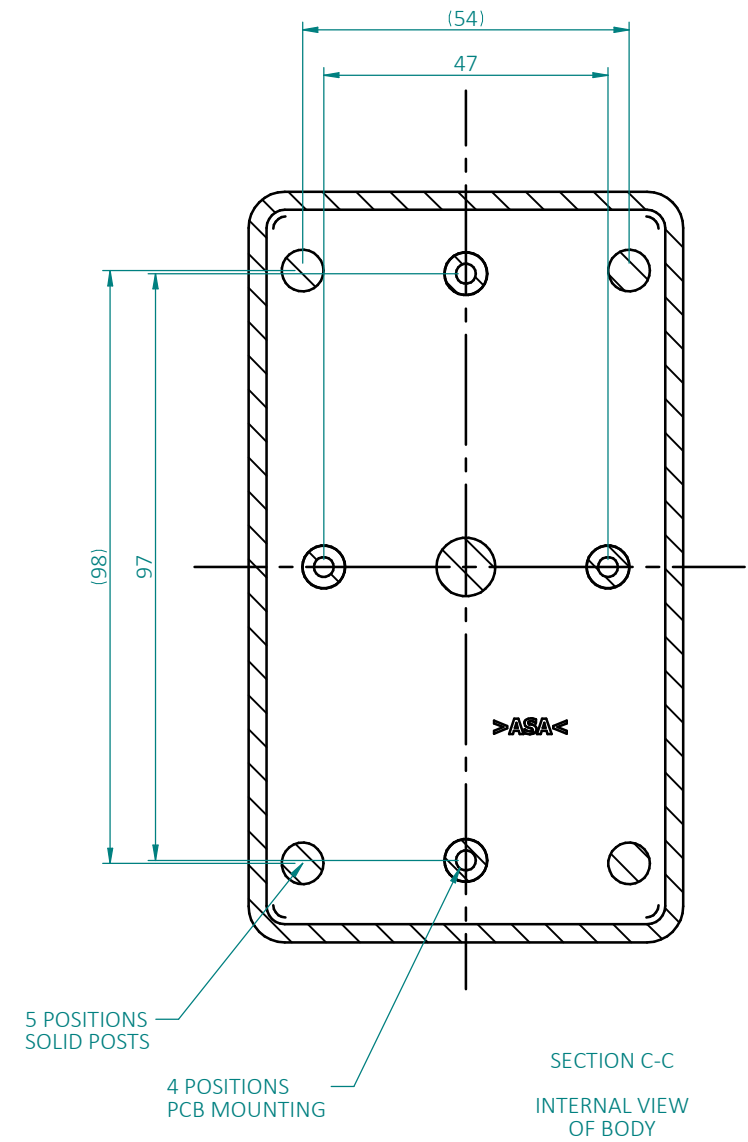
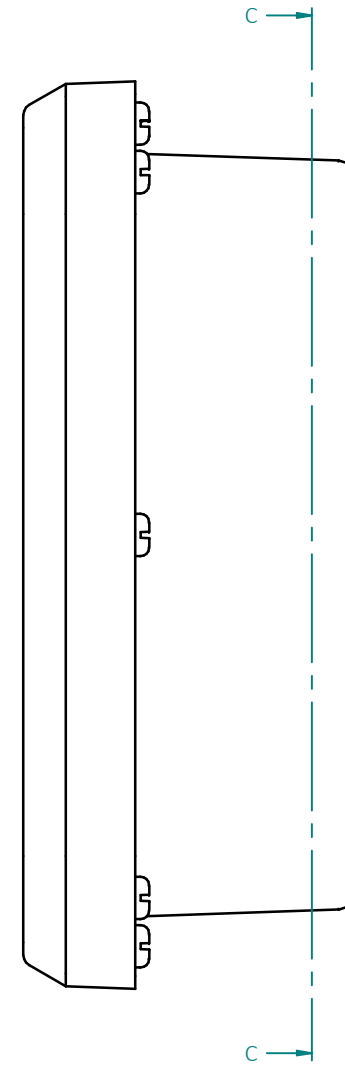
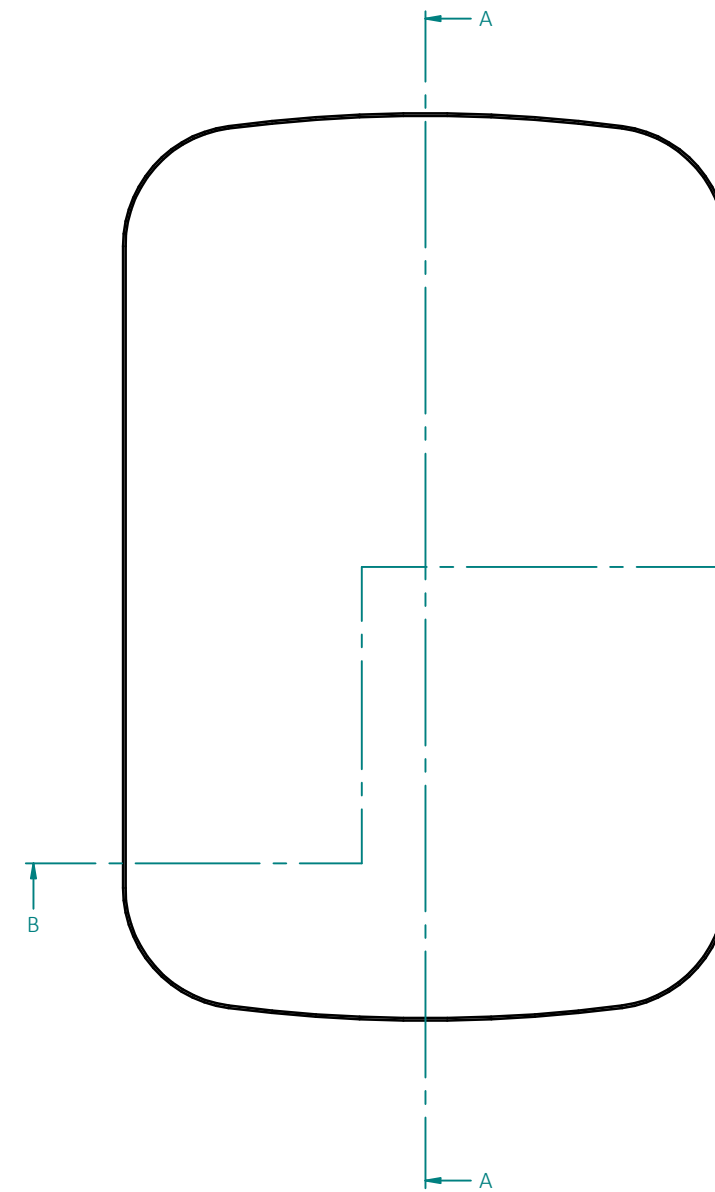
						<b>CAMDENBOSS</b> CONNECT. ENCLOSE. INNOVATE.		COLOUR: OFF WHITE FINISH: VDI:25 LIGHT SPARK MATERIAL: ASA - UV RESISTANT - UL 94 HB	GAUGE: DO NOT SCALE DRAWING DEBURR AND BREAK SHARP EDGES	SCALE: 1:1 SHEET 1 OF 3
1	09/12/22	-	FIRST DRAWN	IPAGAND	S. HARDINGE	DRAWING UNITS: MILLIMETERS TOLERANCES: SEE CRITICAL DIMENSIONS		PROJECTION:	TITLE: IP68 HIGH PERFORMANCE COM BOX	DWG NO: CHD7310WH
REVISION	DATE	ECR	DESCRIPTION	NAME	CHECKED					

NO PCB PILLARS IN COVER

SECTION B-B



SECTION A-A



1	09/12/22	-	FIRST DRAWN	IPAGAND	S. HARDINGE		COLOUR: OFF WHITE	GAUGE: DO NOT SCALE DRAWING	SCALE: 1:1	
-	-	-	-	-	-		FINISH: VDI:25 LIGHT SPARK	TITLE: IP68 HIGH PERFORMANCE COM BOX		SHEET 2 OF 3
REVISION	DATE	ECR	DESCRIPTION	NAME	CHECKED	DRAWING UNITS: MILLIMETERS TOLERANCES: SEE CRITICAL DIMENSIONS	PROJECTION	MATERIAL: ASA - UV RESISTANT - UL 94 HB	DWG NO: CHD7310WH	A3

1 2 3 4 5 6 7 8

F

E

D

C

B

A

F

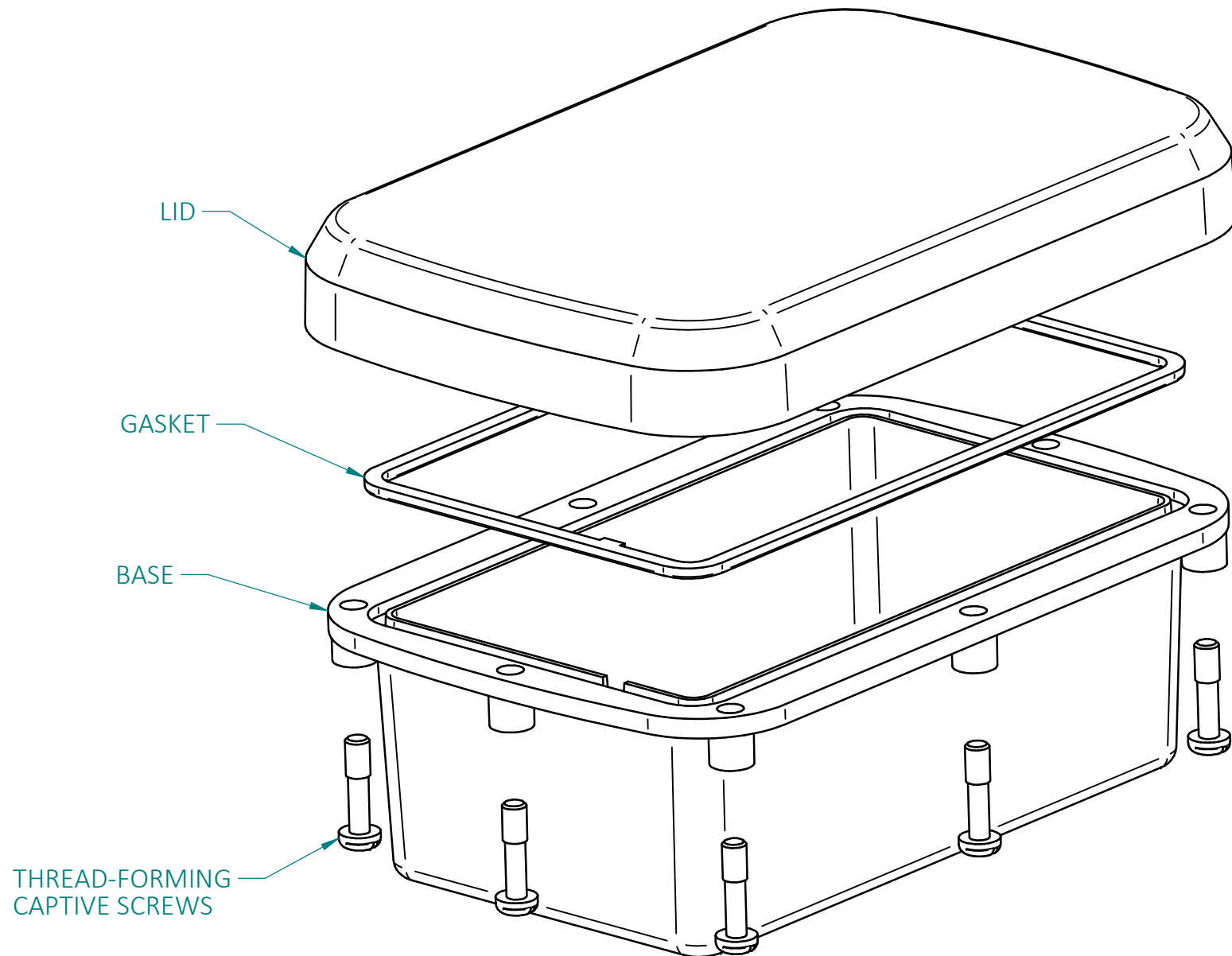
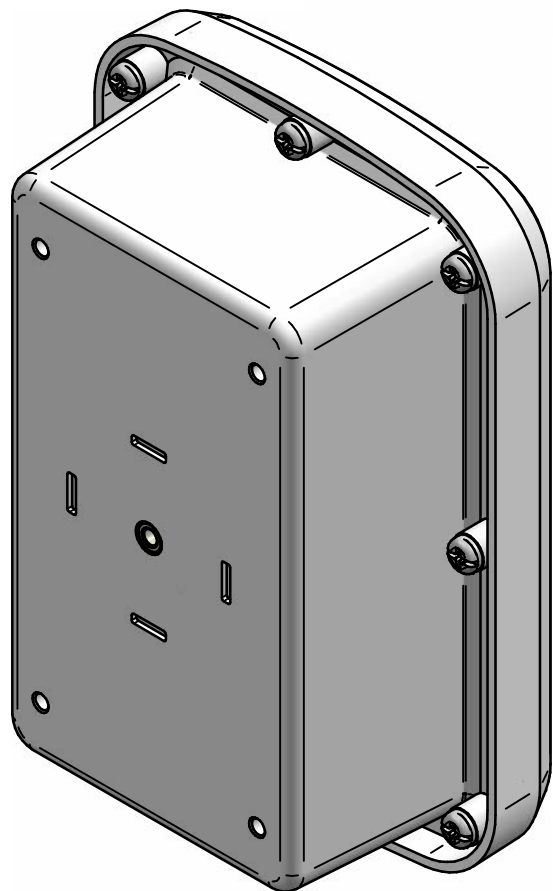
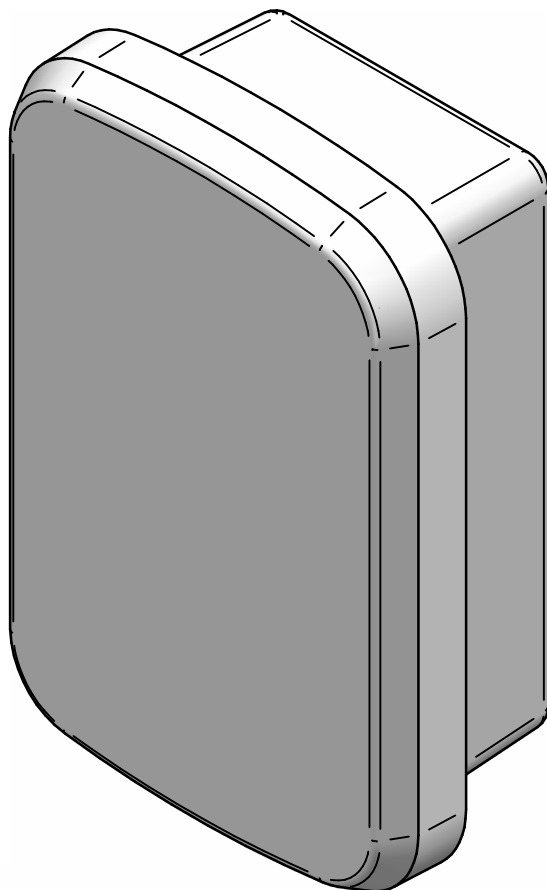
E

D

C

B

A



REVISION	DATE	ECR	DESCRIPTION	IPAGAND NAME	S. HARDINGE CHECKED
1	09/12/22	-	FIRST DRAWN	-	-

**CAMDENBOSS**  
CONNECT. ENCLOSE. INNOVATE.

DRAWING UNITS: MILLIMETERS  
TOLERANCES: SEE CRITICAL DIMENSIONS

PROJECTION

COLOUR: OFF WHITE  
FINISH: VDI:25 LIGHT SPARK  
MATERIAL: ASA - UV RESISTANT - UL 94 HB

GAUGE: DO NOT SCALE DRAWING  
DEBURR AND BREAK SHARP EDGES

TITLE: IP68 HIGH PERFORMANCE COM BOX

DWG NO: CHD7310WH

SCALE: 1:1.33  
SHEET 3 OF 3  
A3

1 2 3 4 5 6 7 8