

REVISION	DATE	ECR	DESCRIPTION	IPAGAND NAME	S.HARDINGE CHECKED
-	-	-	-	-	-
-	-	-	-	-	-
-	-	-	-	-	-
1	12/12/22	-	FIRST DRAWN		

CAMDENBOSS
CONNECT. ENCLOSE. INNOVATE.

DRAWING UNITS: MILLIMETERS
TOLERANCES: SEE CRITICAL DIMENSIONS

PROJECTION

COLOUR: OFF WHITE
FINISH: VDI:25 LIGHT SPARK
MATERIAL: ASA - UV RESISTANT - UL 94 HB

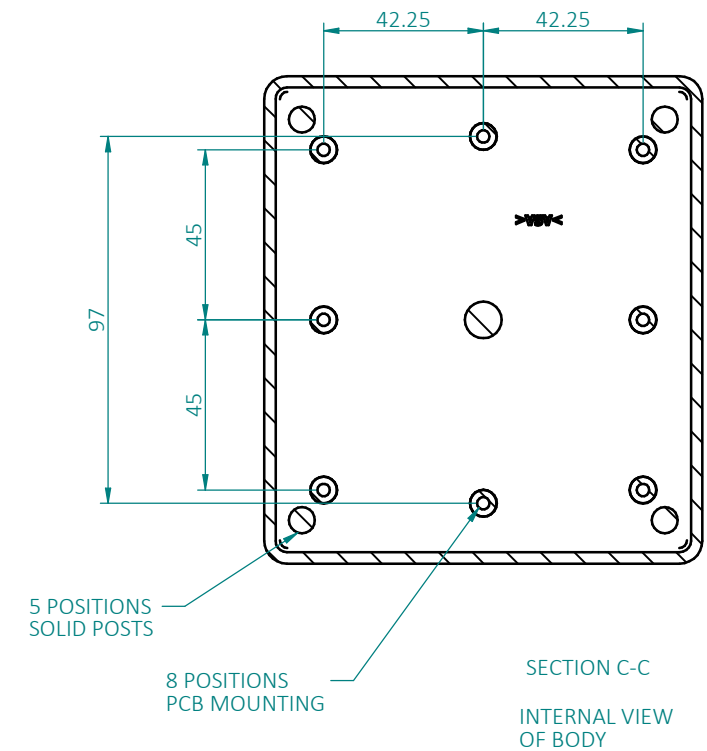
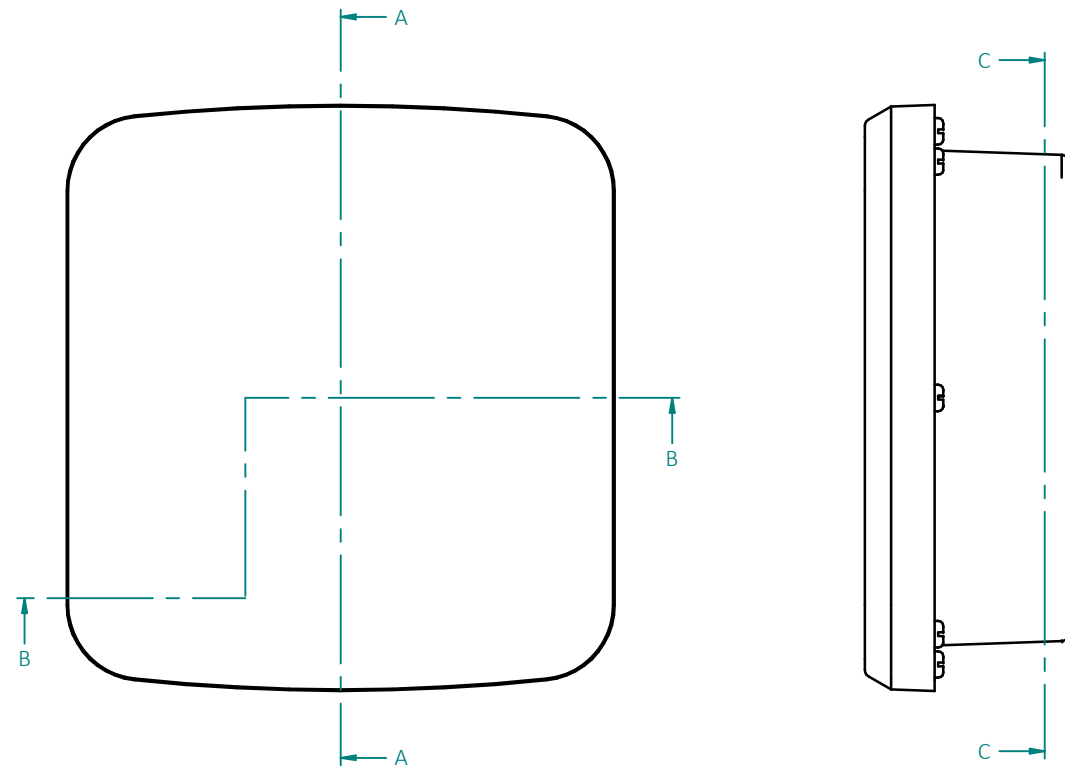
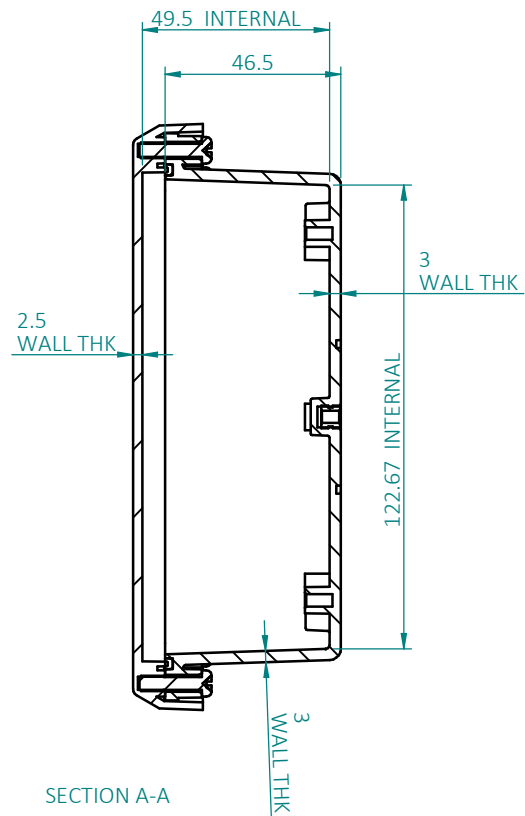
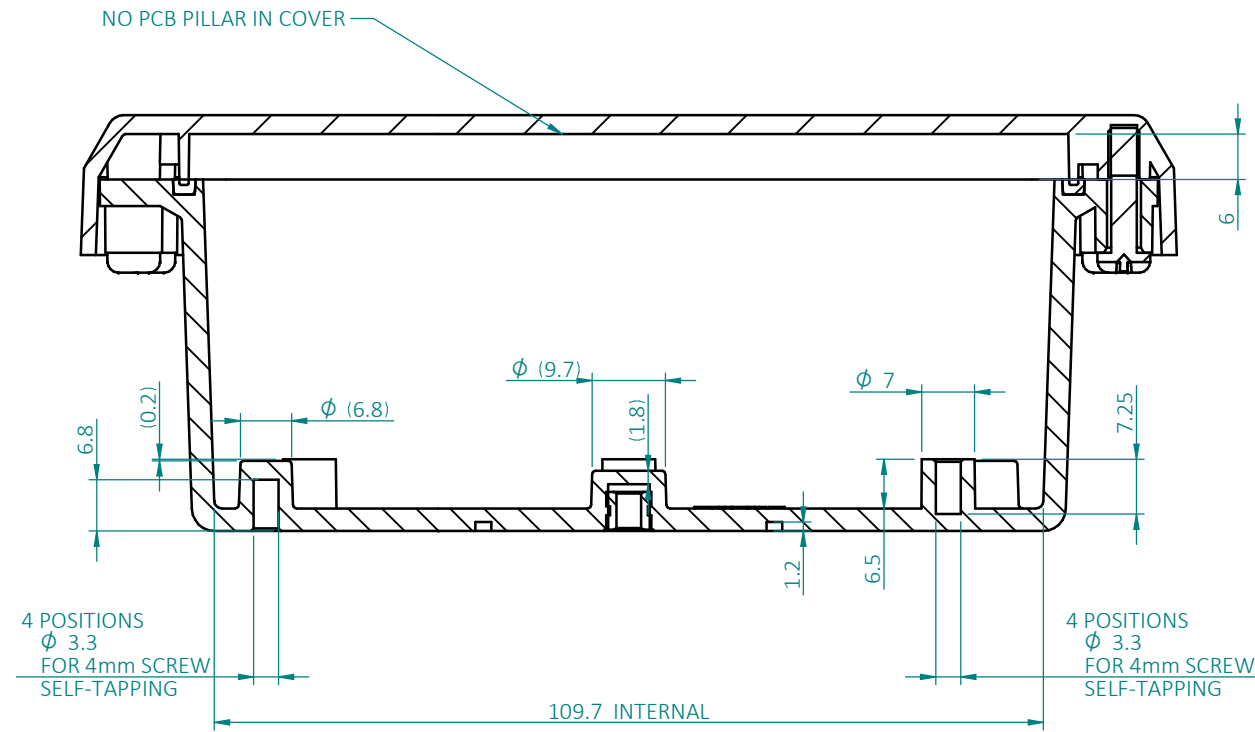
GAUGE: DO NOT SCALE DRAWING
DEBURR AND BREAK SHARP EDGES

TITLE: IP68 HIGH PERFORMANCE COM BOX

DWG NO: CHD7330WH

SCALE: 1:2
SHEET 1 OF 3
A3

SECTION B-B
1:1



REVISION	DATE	ECR	DESCRIPTION	NAME	CHECKED
1	12/12/22	-	FIRST DRAWN	IPAGAND	S.HARDINGE

CAMDENBOSS
CONNECT. ENCLOSE. INNOVATE.

DRAWING UNITS: MILLIMETERS
TOLERANCES: SEE CRITICAL DIMENSIONS

PROJECTION

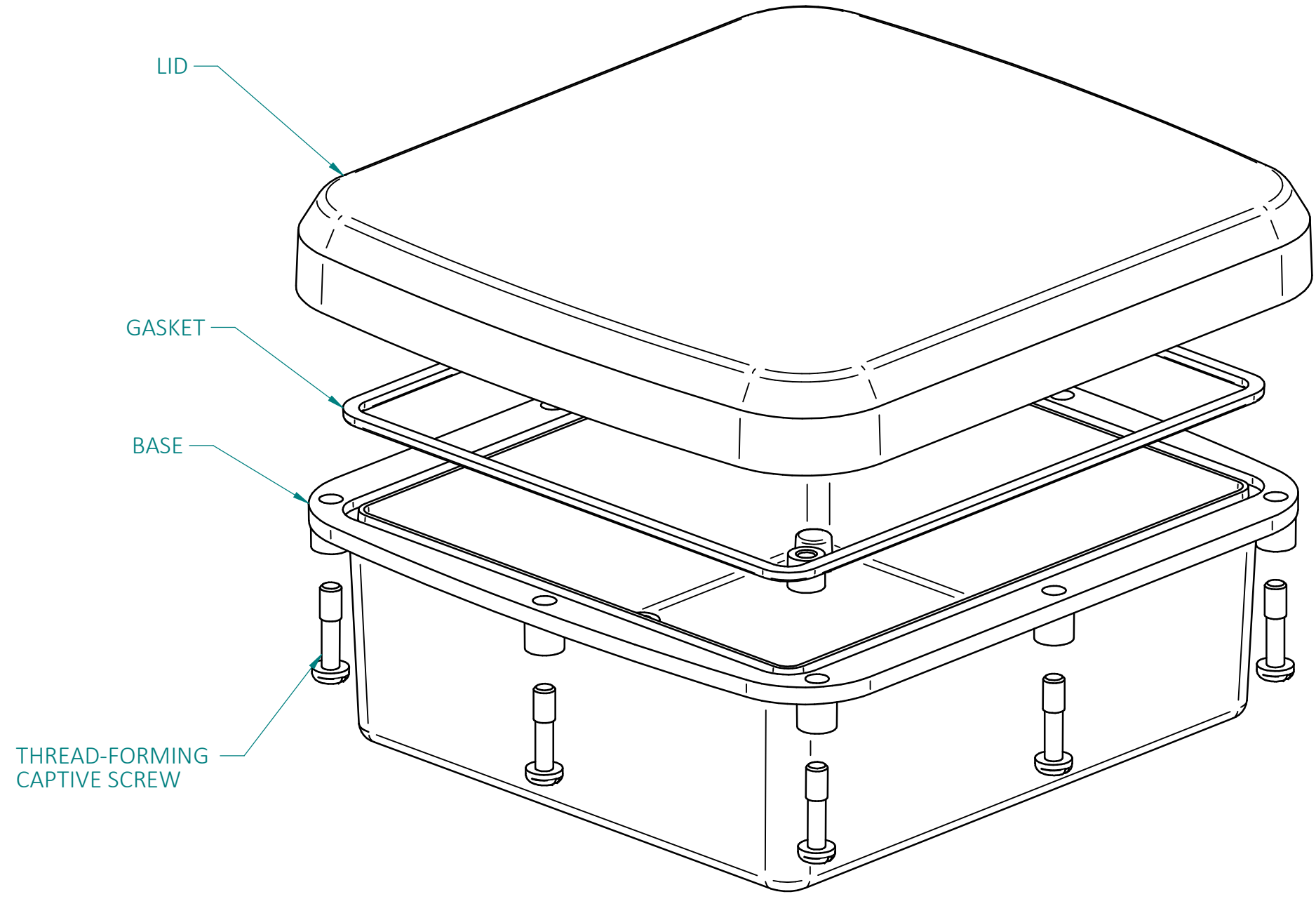
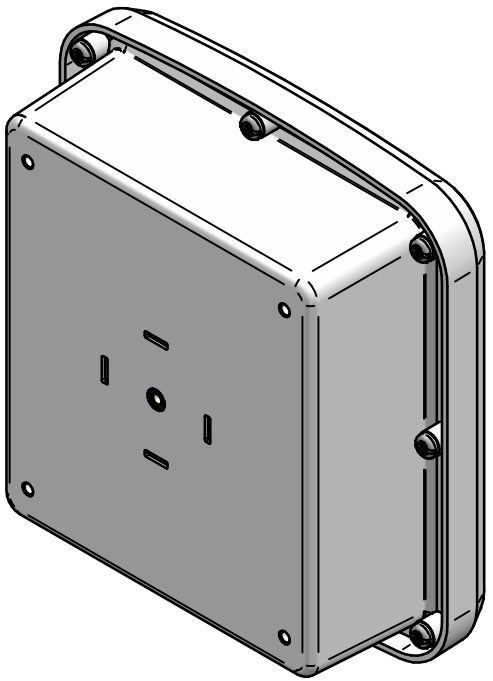
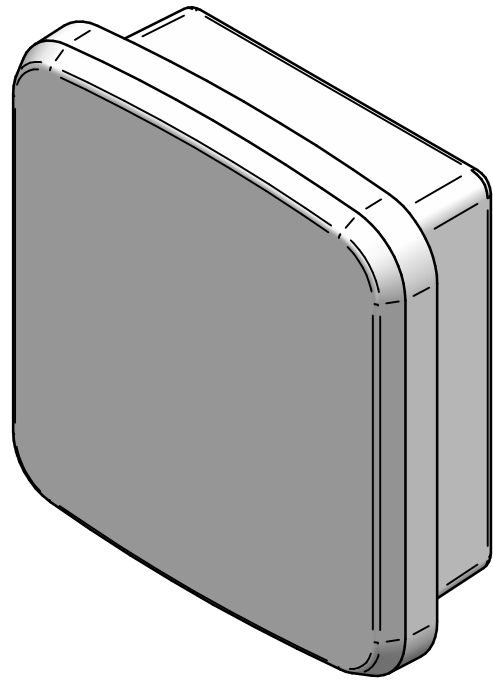
COLOR: OFF WHITE
FINISH: VDI:25 LIGHT SPARK
MATERIAL: ASA - UV RESISTANT - UL 94 HB

GAUGE: DO NOT SCALE DRAWING
DEBURR AND BREAK SHARP EDGES

TITLE: IP68 HIGH PERFORMANCE COM BOX

DWG NO: CHD7330WH

SCALE: 1:2
SHEET 2 OF 3
A3



1	12/12/22	-	FIRST DRAWN	-	-	 CAMDENBOSS CONNECT. ENCLOSE. INNOVATE.	COLOUR: OFF WHITE	GAUGE:	DO NOT SCALE DRAWING DEBURR AND BREAK SHARP EDGES	SCALE: 1:1
-	-	-	-	-	-		FINISH: VDI:25 LIGHT SPARK	TITLE: IP68 HIGH PERFORMANCE COM BOX	SHEET 3 OF 3	
1	12/12/22	-	FIRST DRAWN	IPAGANO	S.HARDINGE		DRAWING UNITS: MILLIMETERS TOLERANCES: SEE CRITICAL DIMENSIONS	PROJECTION: 	MATERIAL: ASA - UV RESISTANT - UL 94 HB	DWG NO: CHD7330WH