

REVISION	DATE	ECR	DESCRIPTION	IPAGAND NAME	S.HARDINGE CHECKED
-	-	-	-	-	-
-	-	-	-	-	-
-	-	-	-	-	-
1	12/12/22	-	FIRST DRAWN		

CAMDENBOSS
CONNECT. ENCLOSE. INNOVATE.

DRAWING UNITS: MILLIMETERS
TOLERANCES: SEE CRITICAL DIMENSIONS

PROJECTION

COLOUR: OFF WHITE
FINISH: VDI:25 LIGHT SPARK
MATERIAL: ASA - UV RESISTANT - UL 94 HB

GAUGE: DO NOT SCALE DRAWING
DEBURR AND BREAK SHARP EDGES

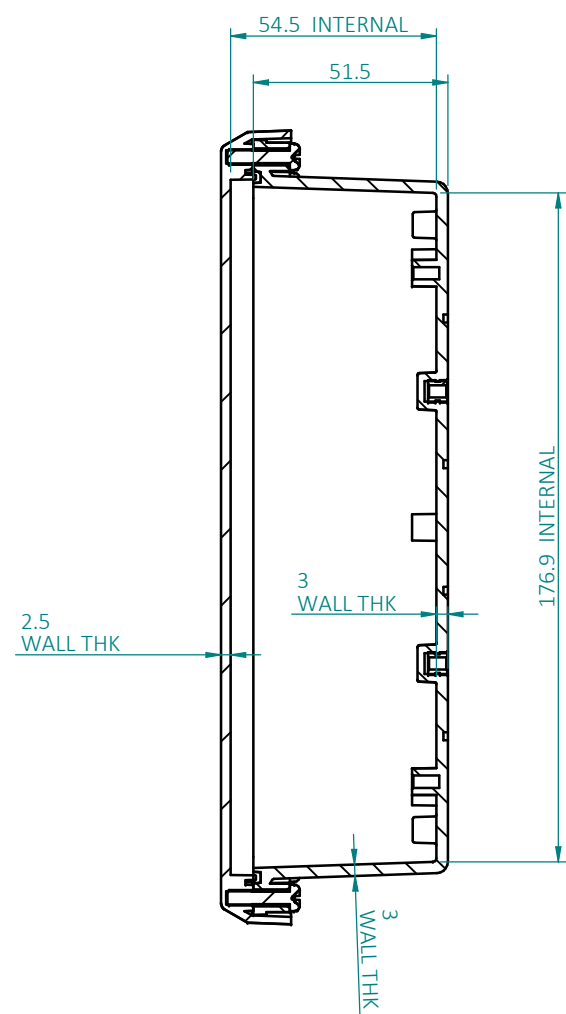
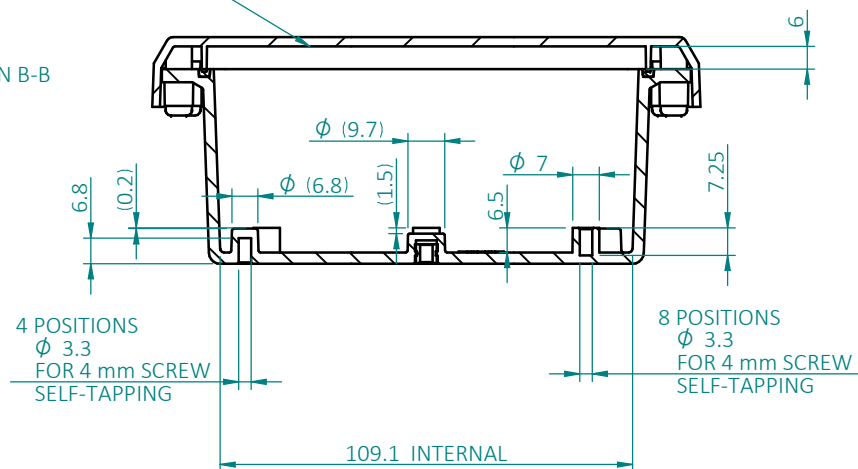
TITLE: IP68 HIGH PERFORMANCE COM BOX

DWG NO: CHD7350WH

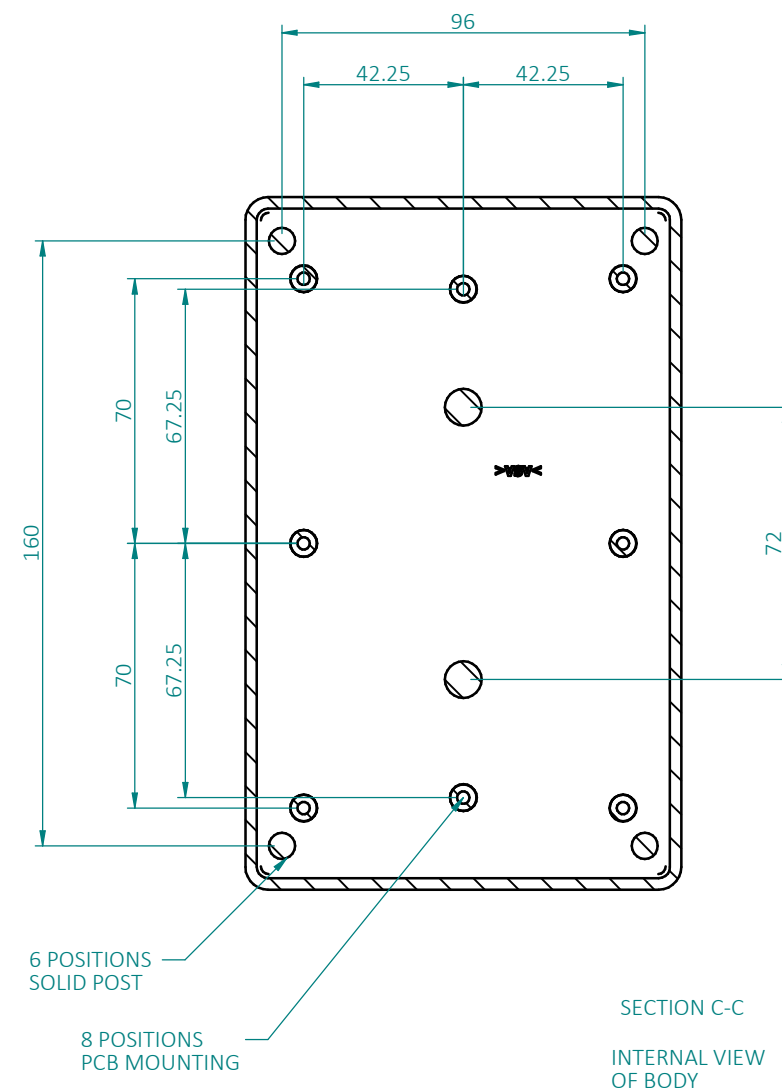
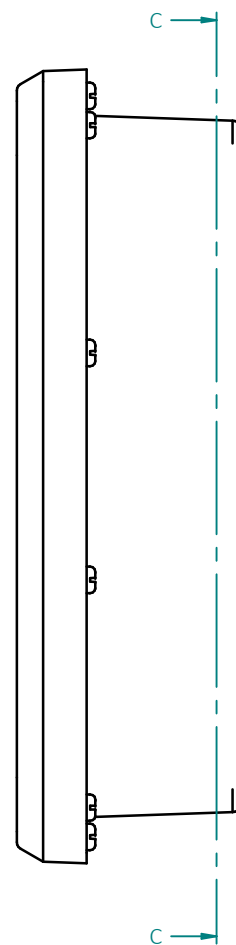
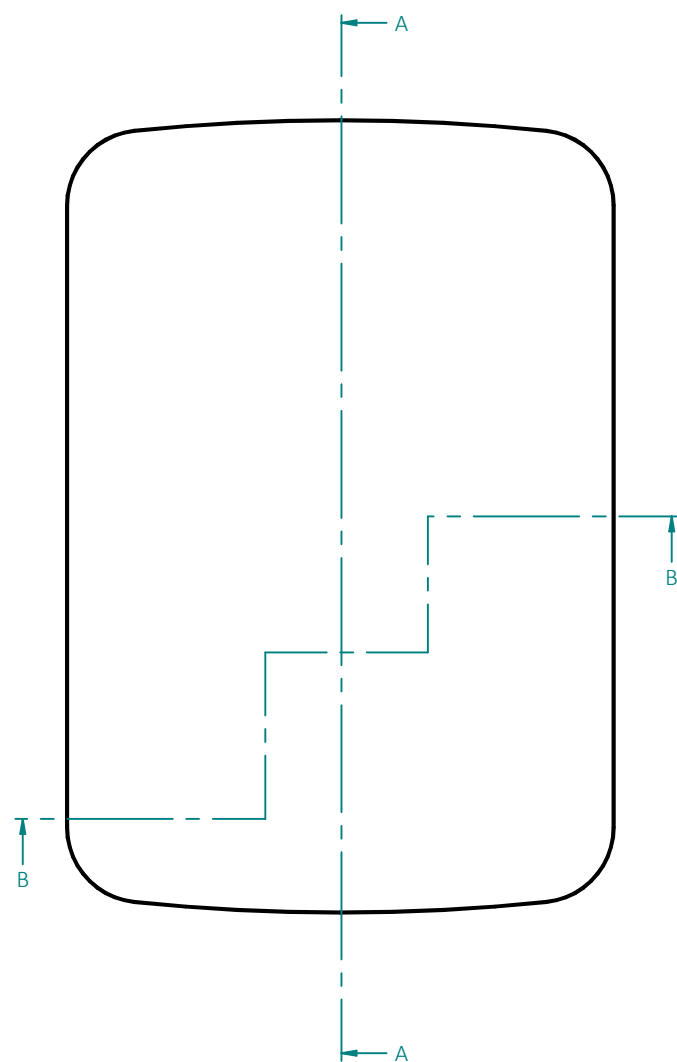
SCALE: 1:2
SHEET 1 OF 3
A3

NO PCB PILLARS IN COVER

SECTION B-B



SECTION A-A



SECTION C-C
INTERNAL VIEW OF BODY

REVISION	DATE	ECR	DESCRIPTION	NAME	CHECKED
1	12/12/22	-	FIRST DRAWN	IPAGAND	S.HARDINGE

CAMDENBOSS
CONNECT. ENCLOSE. INNOVATE.

DRAWING UNITS: MILLIMETERS
TOLERANCES: SEE CRITICAL DIMENSIONS

PROJECTION

COLOUR: OFF WHITE
FINISH: VDI:25 LIGHT SPARK
MATERIAL: ASA - UV RESISTANT - UL 94 HB

GAUGE: DO NOT SCALE DRAWING
DEBURR AND BREAK SHARP EDGES

TITLE: IP68 HIGH PERFORMANCE COM BOX

DWG NO: CHD7350WH

SCALE: 1:2
SHEET 2 OF 3
A3

