

Honeywell Sensing and Control



Where to buy ?

Interactive
Catalog Home

Product Family
Information

Specification
Search

Search
Help



Representative photograph,
actual product appearance
may vary.

Click here for a print friendly version of this datasheet.

BZ-2R-A2

BZ Series Standard Basic Switch, Single Pole Double Throw Circuitry, 15 A at 125 Vac, Pin Plunger Actuator, 2,5 N - 3,61 N [9 oz -13 oz] Operating Force, Silver Contacts, Screw Termination, CE, CSA, DEMKO, UL

- ▶ Dimensions
- ▶ Available Terminals
- ▶ BZ/BA Switch Performance Information
- ▶ Specifications

Features

- Accepted world-wide standard "Large Basic" switch
- Low operating force and differential travel
- Long mechanical life up to 20,000,000 cycles at 95% survival
- Elongated mounting hole for easier, more accurate mounting
- Current rating ranges from 15 A to 25 A
- Choice of actuation, termination and operating characteristics

Typical Applications

- Irrigation systems
- Semi-trailer trucks
- Timing devices
- Office equipment
- Test instruments
- Medical/dental equipment
- HVAC equipment
- Manually operated devices
- Valves

Description

BZ/BA Series Standard Basic Switches are used for simple or precision on/off application needs.

Product Specifications

Switch Type	Standard 25,4 mm H x 17,8 mm W x 50,8 mm L [1.0 in H x 0.7 in W x 2.0 in L]
Sealed	No
Ampere Rating	15 A
Circuitry	Single Pole Double Throw (SPDT)
Actuator	Pin Plunger
Termination	Screw
Operating Temperature Range	-55 °C to 125 °C [-67 °F to 257 °F]
Voltage	125 Vac

Approvals	CE, CSA, DEMKO, UL
Contact Type	Silver
Operating Force (O.F.)	2,5 N - 3,61 N [9.0 oz - 13.0 oz]
Release Force (R.F.)	1,11 N [4.0 oz] min.
Pretravel (P.T.)	0,38 mm [0.015 in] max.
Overtravel (O.T.)	0,13 mm [0.005 in] min.
Differential Travel (D.T.)	0,01 mm - 0,05 mm [0.0004 in - 0.0020 in]
Operating Position (O.P.)	15,88 mm \pm 0,38 mm [0.625 in \pm 0.015 in]
Material	Plastic
Housing Material	General Purpose Phenolic
High Temperature	204 °C [400 °F]
CE mark	61058-1
UL File #	E12252
CSA File #	LR41370
Agency Approvals and Standards	1054
Mounting Screw Size	3,53 mm [0.139 in]
Mounting Centers	25,4 mm [1 in]
Maximum Tightening Torque	0,33 N m [3.0 in lb]
Weight	28,6 g [0.063 lb]
Package Height	24,1 mm [0.95 in]
Package Width	17,5 mm [0.69 in]
Package Length	49,3 mm [1.94 in]
Recommended For	SPST (normally open)
Availability	Global
UNSPSC Code	30211905
UNSPSC Commodity	30211905 Snap switches
Series Name	BZ Series

Due to regional agency approval requirements, some products may not be available in your area. Please contact your regional Honeywell office regarding your product of choice.



MICRO SWITCH

FREEPORT, ILLINOIS, U.S.A.
A DIVISION OF HONEYWELL

FED. MFG. CODE 91929

SWITCH - BASIC

CATALOG LISTING

BZ-2R-A2

AGM2000 / JG-05660

M BZ-2R-A2

PAGE 1 OF 1

DRAWING NUMBER

ISSUE

13

REVISIONS

A	CO17410	G C H	12 APRIL 63
B	CO31092	R J	29 AUG 05
C	CO-73297-B	R J	OCT 72
D	CO-77589	K D R	29 MAR 94
E	CO93346	D L T	1 SEP 98
F	CO015138	S P K	29 AUG 05

REPLACES

RELEASE NO.

CHECK

CHECK

CHECK

CHECK

CHECK

CHECK

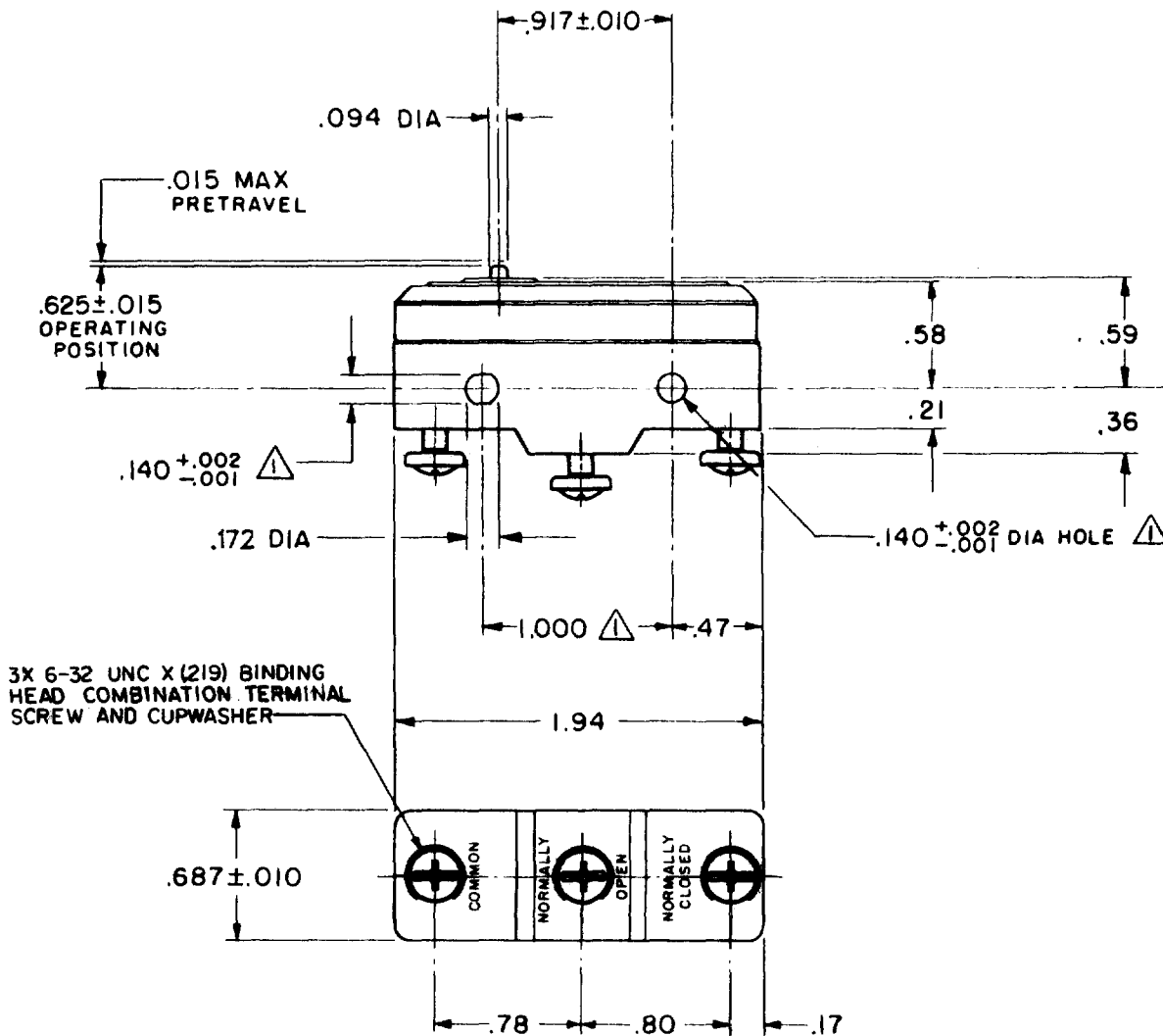
CHECK

CHECK

CHECK

CHECK

CHECK



NOTE
 ▲ - MOUNTING HOLES WILL ACCEPT PINS OR SCREWS OF .139 MAX DIA ON 1.000 ± .002 CENTERS

THIS DRAWING COVERS A PROPRIETARY ITEM AND IS THE PROPERTY OF MICRO SWITCH, A DIVISION OF MINNEAPOLIS-HONEYWELL REGULATOR CO. THIS DRAWING IS NOT TO BE COPIED OR USED WITHOUT THE APPROVAL OF MICRO SWITCH.

CHARACTERISTICS

OPERATING FORCE ----- 9 - 13 OZ
 RELEASE FORCE ----- 4 OZ MIN
 DIFFERENTIAL TRAVEL ---- .0004 - .0020
 OVERTRAVEL ----- .005 MIN

ELECTRICAL DATA

CONTACT ARRANGEMENT
S P D T

-L74- 15A-125, 250 OR 480 VAC, 2A-600 VAC
 1/8HP-125 VAC; 1/4HP-250 VAC
 1/2A-125 VDC; 1/4A-250 VDC

-L288- EN05
-L306-
-L315- 16A 250V ~ T85 5E4

SCALE FULL

DO NOT SCALE PRINT

UNLESS OTHERWISE NOTED
 DIMENSIONS ARE IN INCHES

TOLERANCES ARE:

ONE PLACE (.0)	±.030
TWO PLACE (.00)	±.015
THREE PLACE (.000)	±.005
ANGLES	±

WEIGHT .063 LB

FORMTEK

FO-80378

DRAWN

G C H

12 APRIL 63

CHECK

CHECK

CHECK

CHECK

CHECK

CHECK

CHECK

CHECK

CHECK

CHECK

CHECK

CHECK

CHECK

CHECK