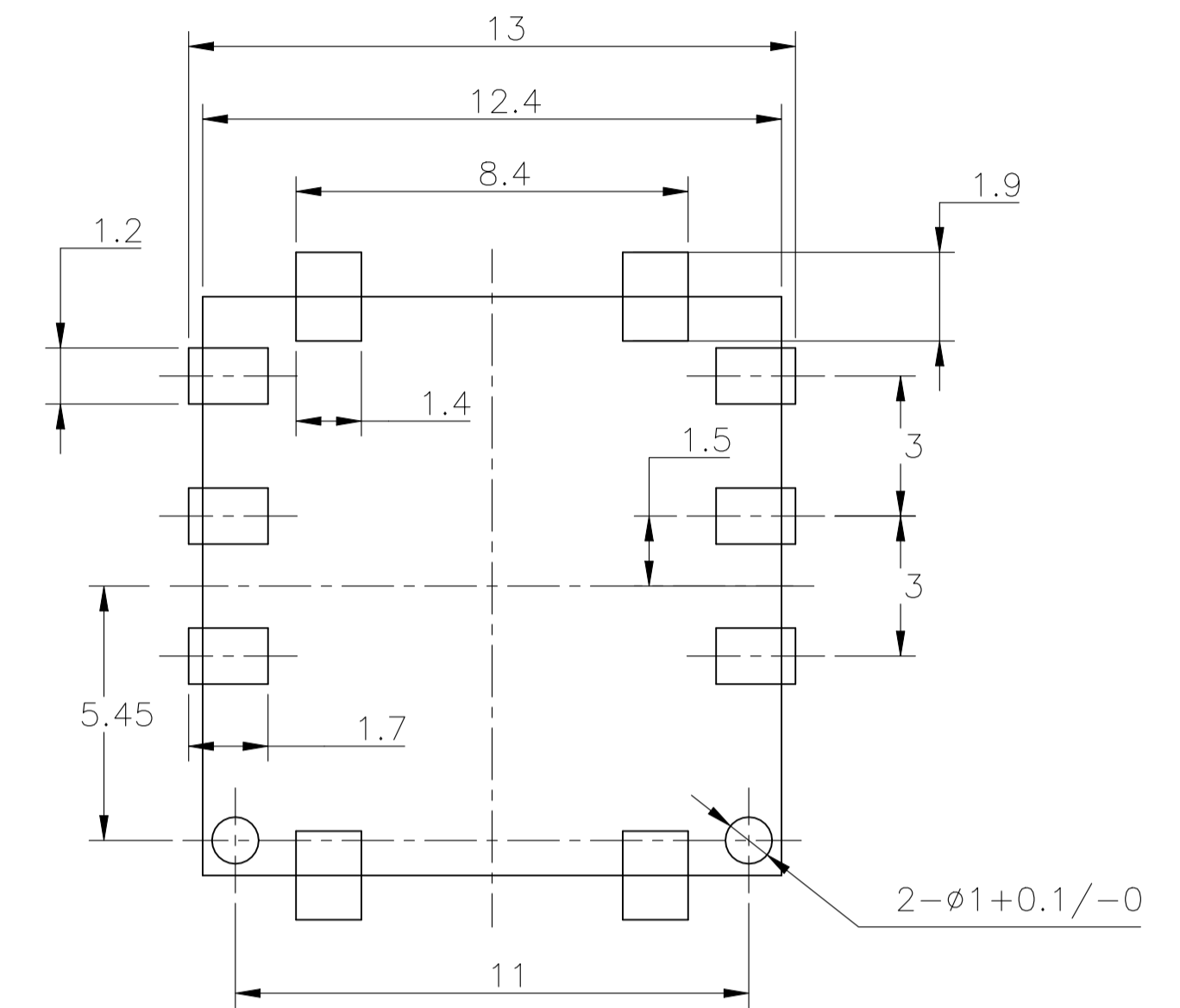
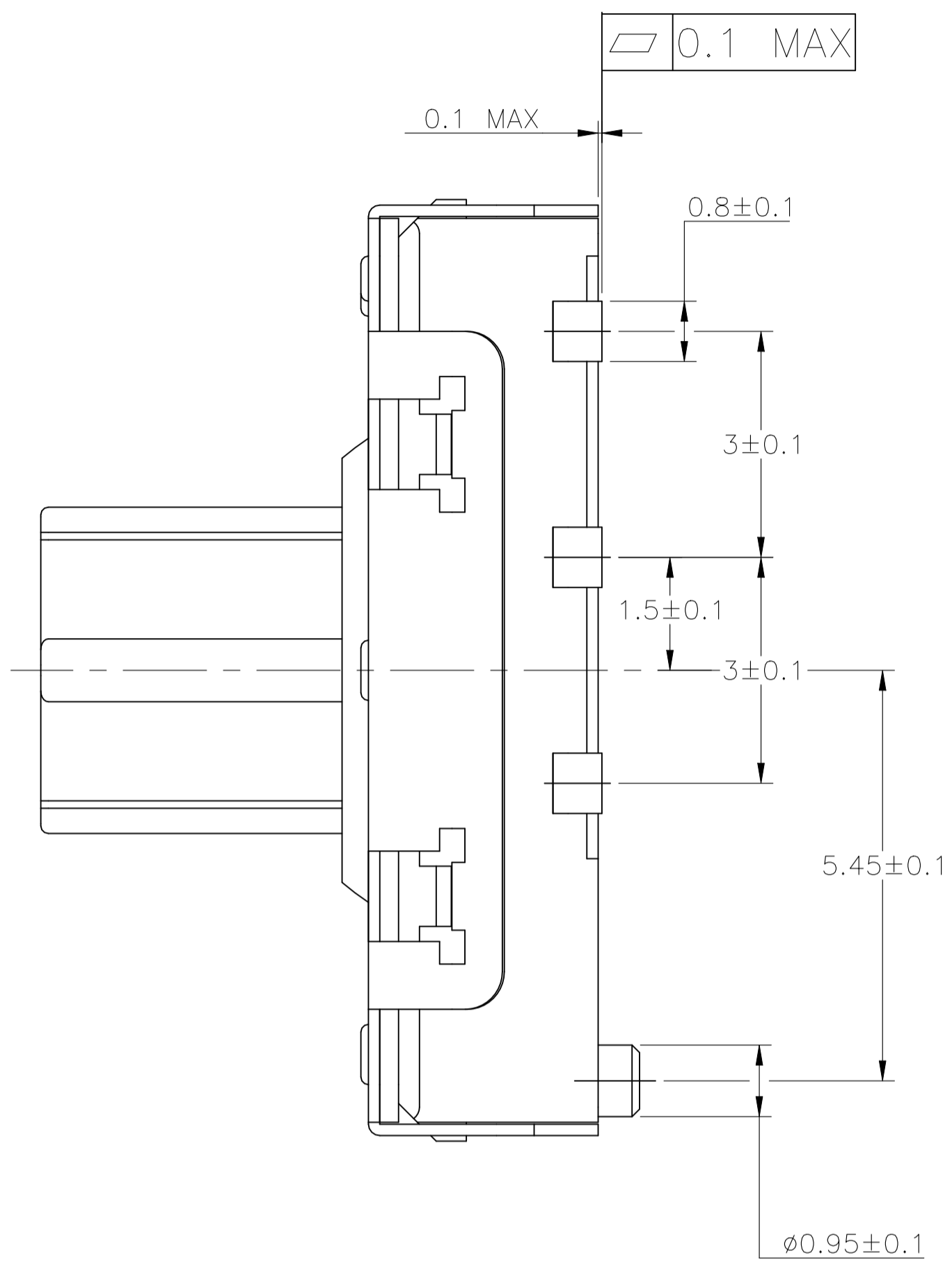
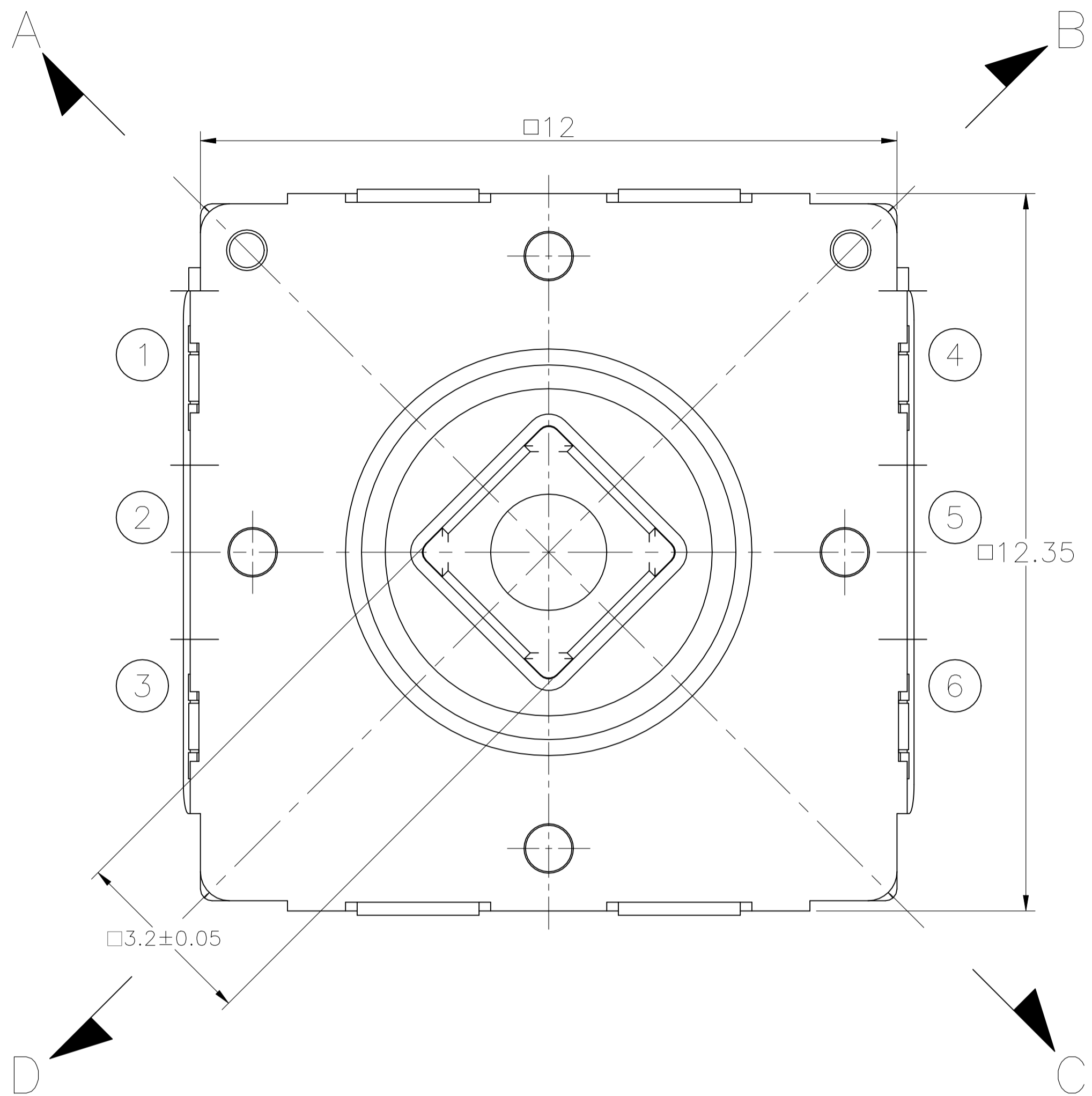


REVISIONS					
P	LTR	DESCRIPTION	DATE	DRN	APVD
A		INITIAL RELEASE	09NOV2022	BB	DM

DRAWING NUMBER	TE PN	TE DESCRIPTIVE PN	IP	OPERATING FORCE	LIFE CYCLE
2425755	2425755-1	5 position tactile, 12x12	40	Center Push: 350 ± 70 gf 4-Way Direction: 250 ± 70 gf	100,000



SOLDER LAND DIMENSION

SPECIFICATIONS:

MATERIALS:
CASE: LCP UL94V-0
ACTUATOR: PPA UL94HB
COVER: NICKEL SILVER. STEM: PPA UL94HB. TAPE: PI TAPE
DUST COVER: PEEK FILM.
MOVING CONTACT: STAINLESS STEEL Ag Clad
FIXED CONTACT/TERMINAL: BRASS Ag PLATING

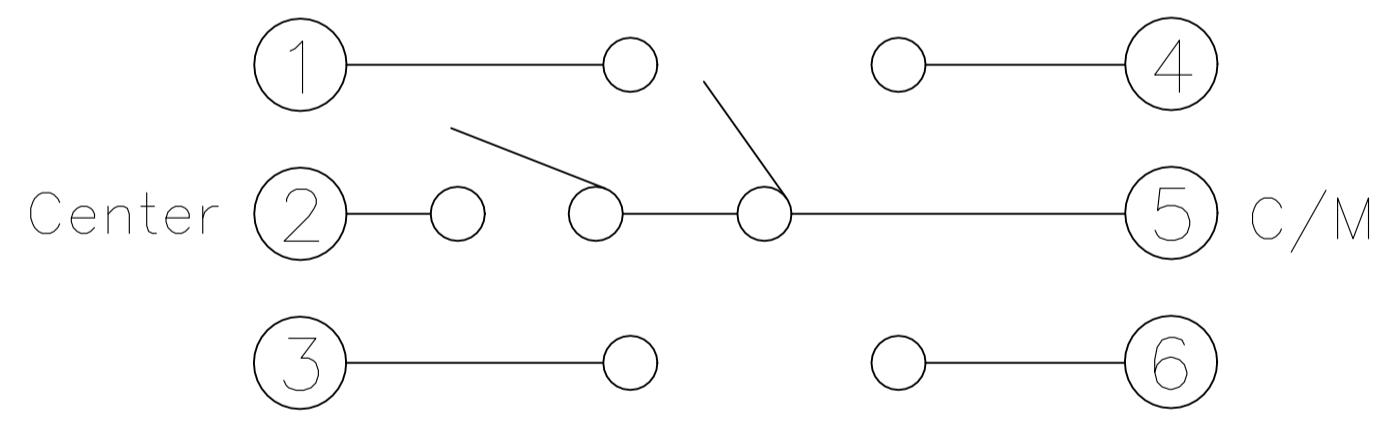
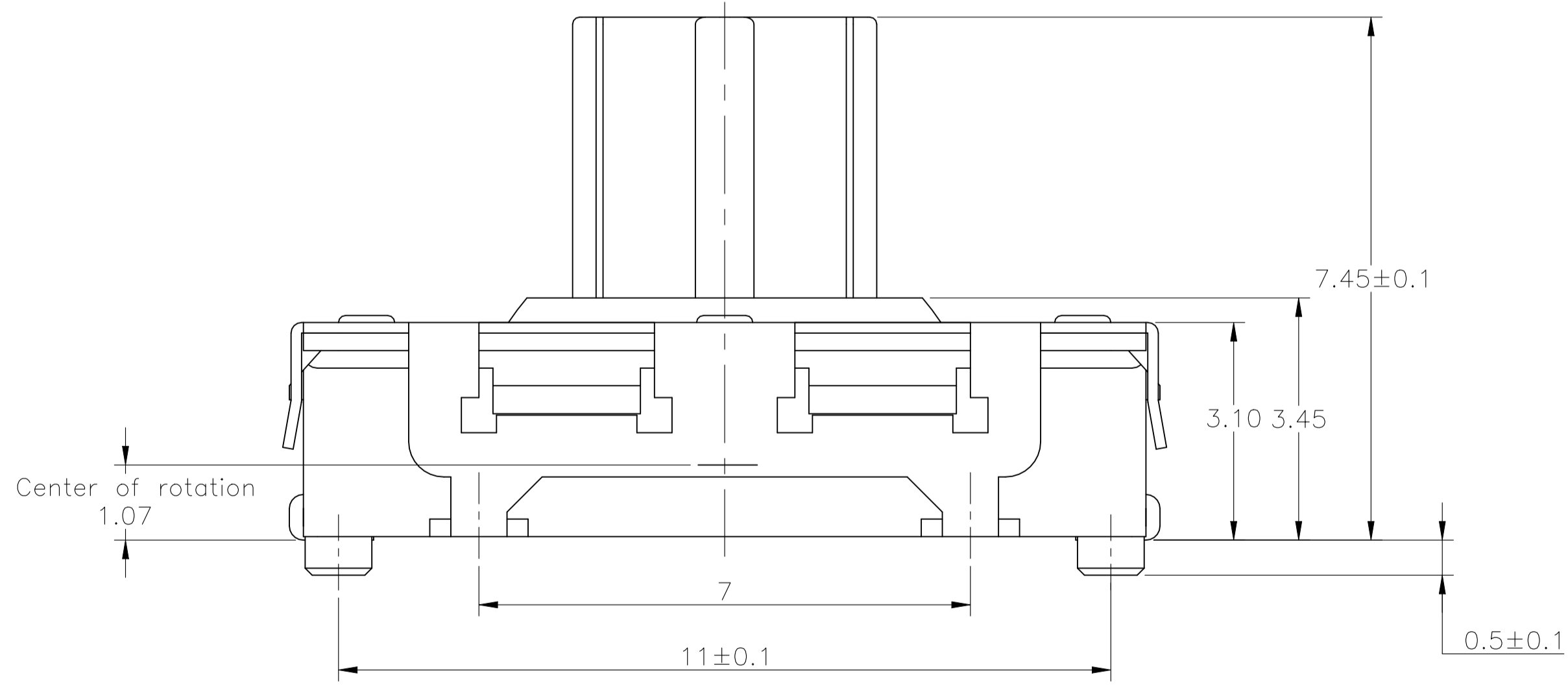
ELECTRICAL:
CONTACT RATING: 50mA @12V DC MAX.
CONTACT RESISTANCE: 100mΩ MAX.
INSULATION RESISTANCE: 100MΩ MIN. @100V DC.
DIELECTRIC STRENGTH: 250V AC FOR 1 MINUTE.
LIFE EXPECTANCY: SEE P/N TABLE.

MECHANICAL:
ACTUATOR FORCE: SEE P/N TABLE.
ACTUATOR TRAVEL: 0.012+0.007in, -0.004in
LIFE EXPECTANCY: SEE P/N TABLE.

ENVIRONMENTAL:
OPERATING TEMPERATURE: -25°C TO 70°C.
STORAGE TEMPERATURE: -40°C TO 85°C.
SOLDERABILITY: REFLOW: FOR PERHEAT 150-200°C. 120±20SEC., PEAK TEMP. 260°C ± 5°C, TEMP. AREA 217°C 60-90 SEC.

NOTES:

- DIMENSIONS IN MILLIMETERS
- GENERAL TOLERANCE ± 0.3mm



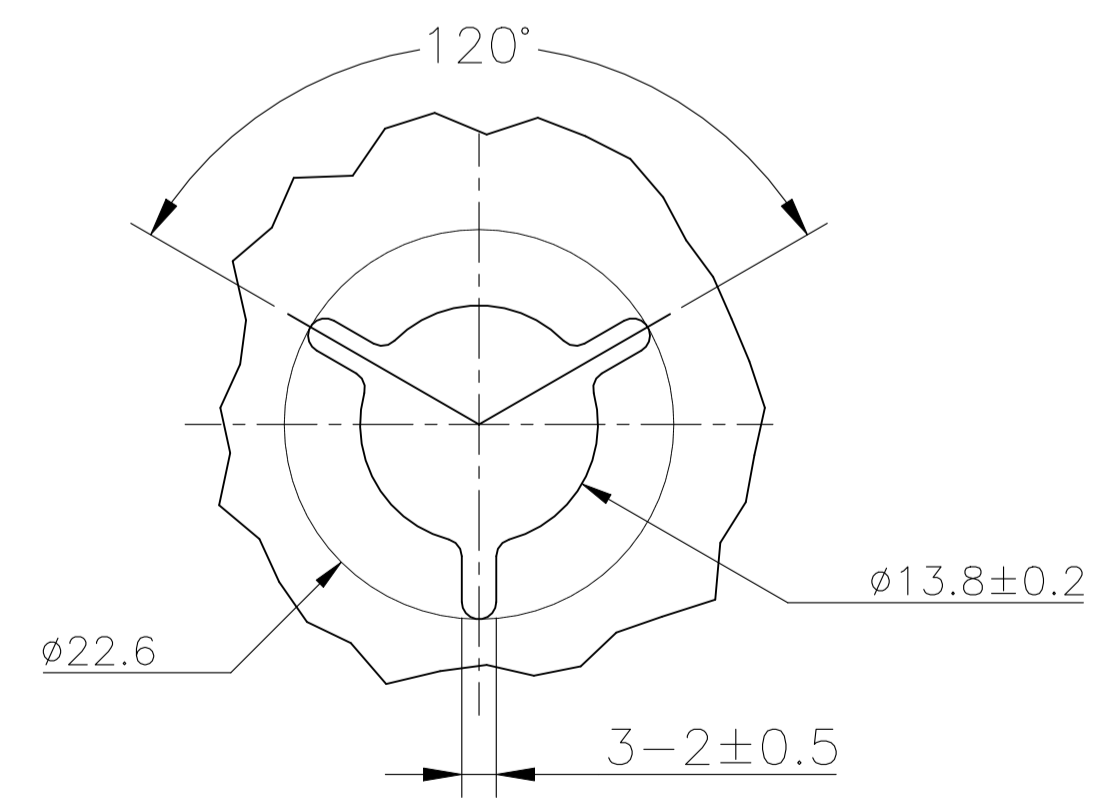
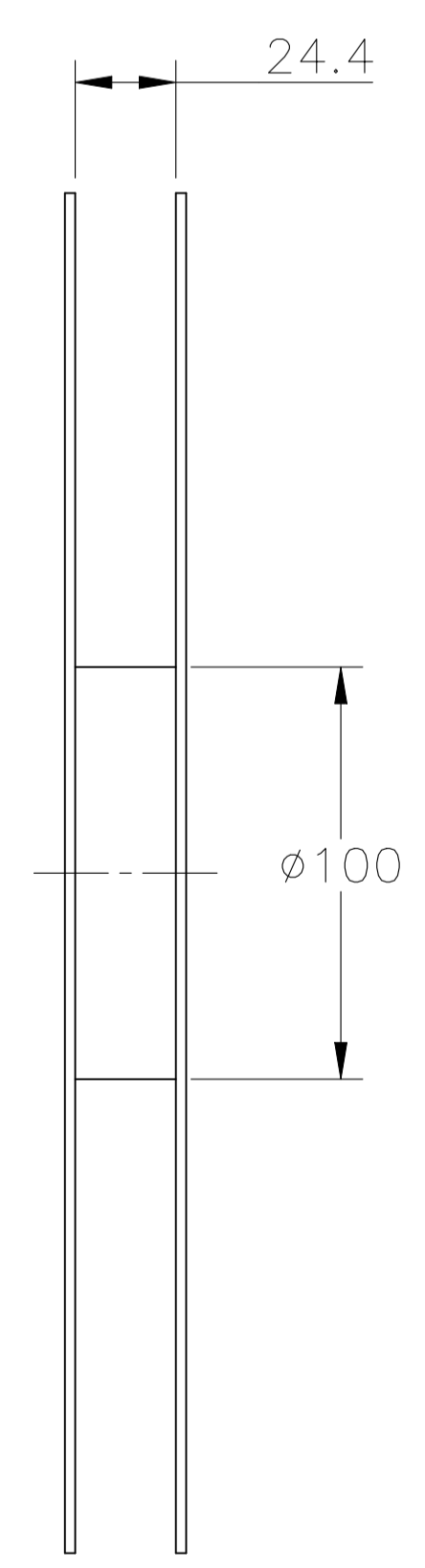
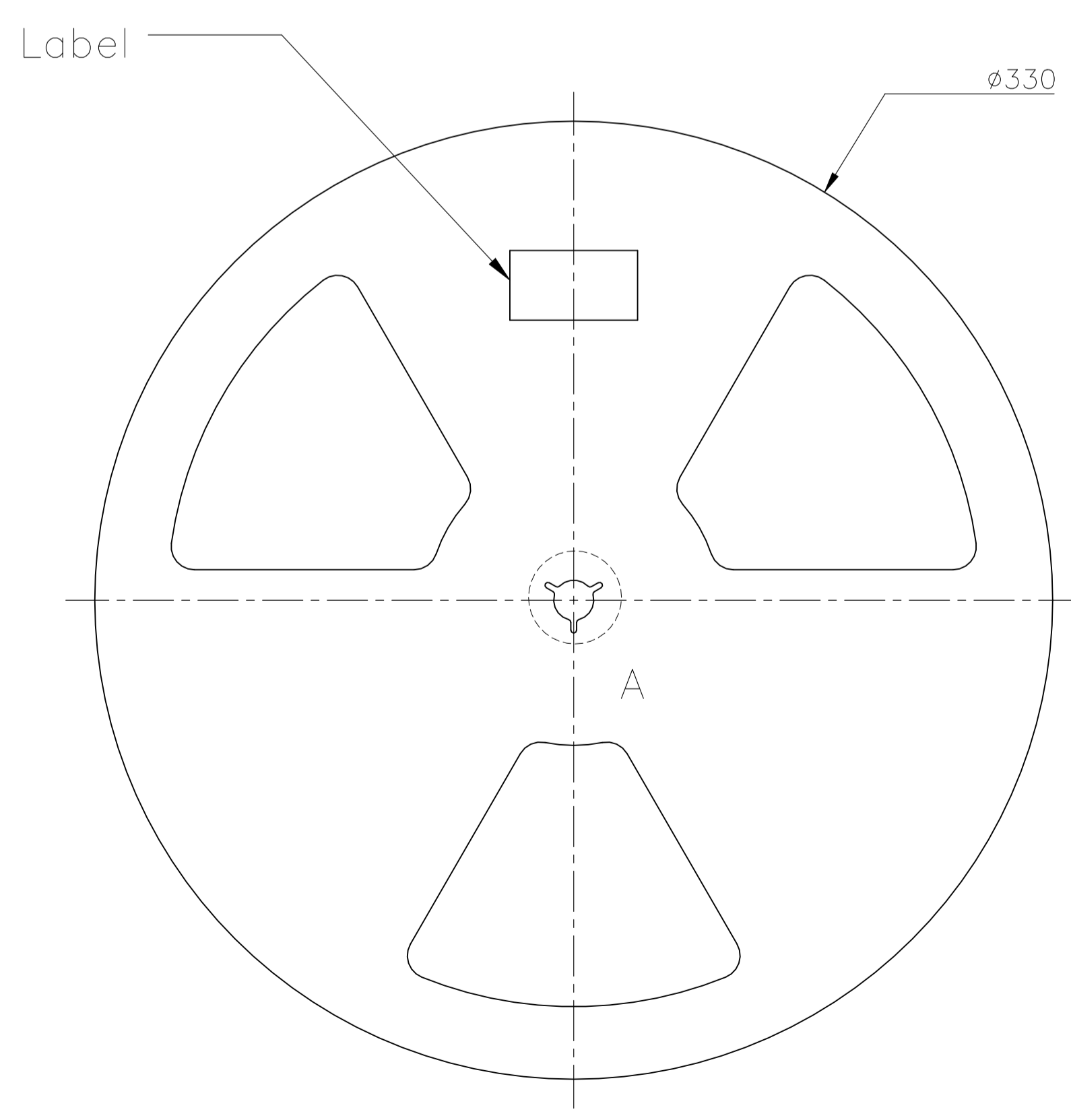
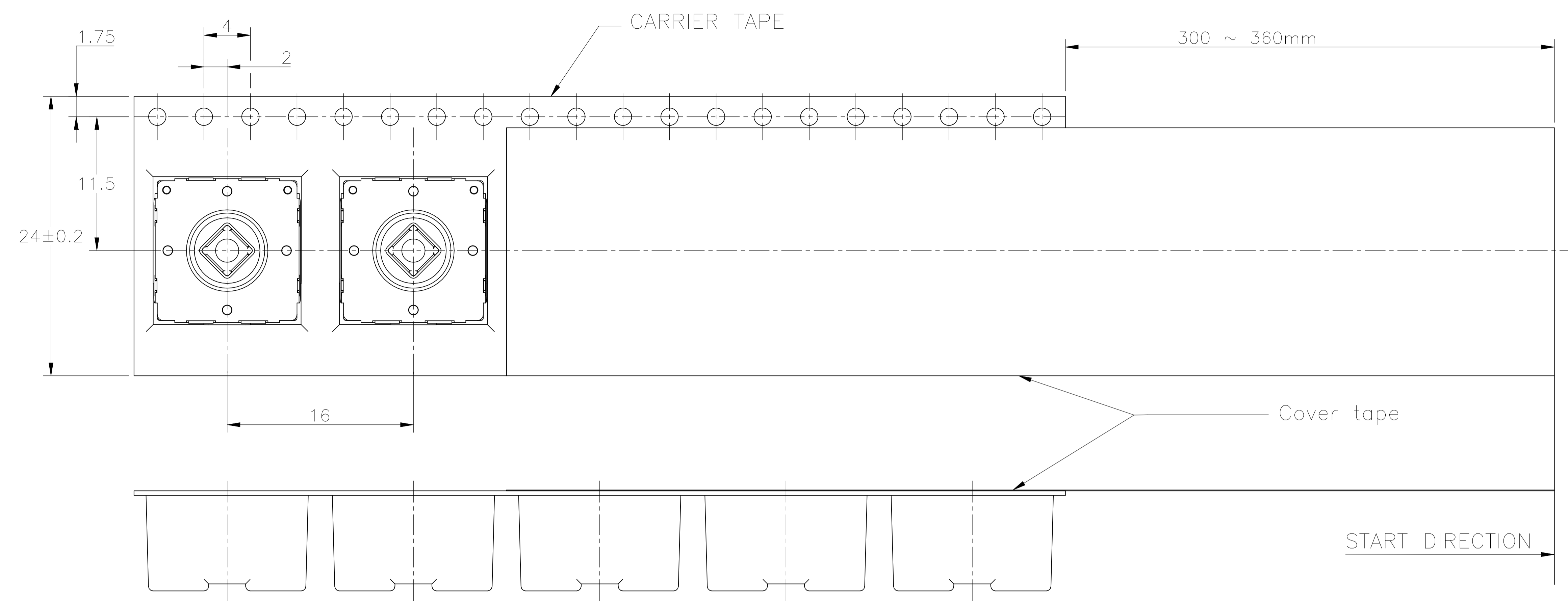
CIRCUIT DIAGRAM

Operating direction	Circuit	Remarks
A	⑤=①	
B	⑤=④	
C	⑤=⑥	
D	⑤=③	
Center push	⑤=②	

THIS DRAWING IS A CONTROLLED DOCUMENT.

DIMENSIONS: mm	TOLERANCES UNLESS OTHERWISE SPECIFIED:	DIN: BALAJI_B 09NOV2022	DRN: DAVID MALDONADO	APVD: DAVID MALDONADO	NAME: DAVID MALDONADO	PRODUCT SPEC: 5 position tactile, 12x12
0. PLC ± -	1. PLC ± -	2. PLC ± -	3. PLC ± -	4. PLC ± -	ANGLES ± -	APPLICATION SPEC: -
MATERIAL: -	FINISH: -	WEIGHT: -	SIZE: A1	CAGE CODE: 00779	DRAWING NO: C=2425755	RESTRICTED TO: -
CUSTOMER DRAWING			SCALE: NTS	SHEET: 1 of 2	REV: A	

REVISIONS				
REV	DATE	DESCRIPTION	BY	APP'D
-	-	SEE SHEET 1	-	-



DETAIL "A" (1 : 1)

PACKING SPECIFICATION		
NON-POCKET PORTION	TRAILER PORTION	200mm MIN [25 POCKET MIN.]
	LEADER PORTION	26 POCKET MIN.
S/W PACKING Q'TY		500 PCS.

THIS DRAWING IS A CONTROLLED DOCUMENT.		DWG: DALAJL_B	DATE: 09NOV2022	TE Connectivity	
DIMENSIONS: mm		CHK: DAVID MALDONADO	DATE: 09NOV2022	NAME: 5 position tactile, 12x12	
TOLERANCES UNLESS OTHERWISE SPECIFIED:		APP'D: DAVID MALDONADO	DATE: 09NOV2022	RESTRICTED TO: -	
0. PLC ± -		PRODUCT SPEC: -		SIZE: A1	
1. PLC ± -		APPLICATION SPEC: -		CAGE CODE: 00779	
2. PLC ± -		WEIGHT: -		DRAWING NO: C=2425755	
3. PLC ± -		CUSTOMER DRAWING		SCALE: NTS	
4. PLC ± -		SHEET: 2 of 2		REV: A	
ANGLES ± -		SHEET: 2 of 2		REV: A	
FINISH: -		SHEET: 2 of 2		REV: A	